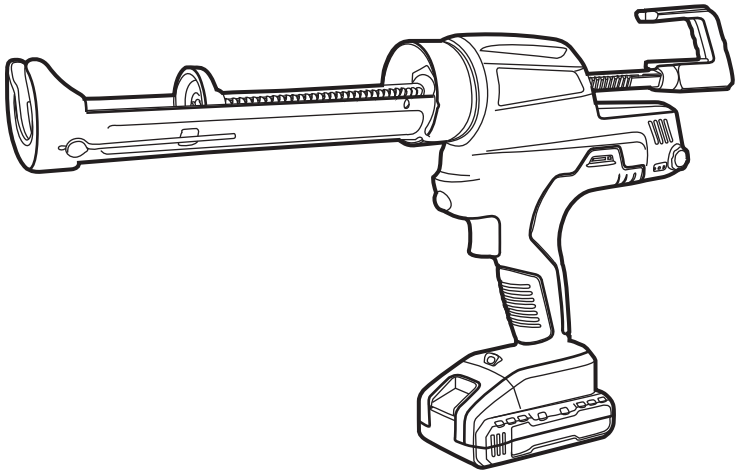


Cordless Caulking Gun MANUAL



Made in China

General Power Tool Safety Warnings



WARNING: To reduce the risk of injury, read the instruction manual.



WARNING! Read all safety warnings and instructions

Failure to follow the warnings and instructions may result in electric shock, fire and/or serious injury.

SAVE ALL WARNINGS AND INSTRUCTIONS FOR FUTURE REFERENCE

The term “power tool” in the warnings refers to your mains-operated (corded) power tool or battery-operated (cordless) power tool.

1) WORK AREA SAFETY

- a) Keep work area clean and well lit. Cluttered or dark areas invite accidents.
- b) Do not operate power tools in explosive atmospheres, such as in the presence of flammable liquids, gases or dust. Power tools create sparks which may ignite the dust or fumes.
- c) Keep children and bystanders away while operating a power tool. Distractions can cause you to lose control.

2) ELECTRICAL SAFETY

- a) Power tool plugs must match the outlet. Never modify the plug in any way. Do not use any adapter plugs with earthed (grounded) power tools. Unmodified plugs and matching outlets will reduce risk of electric shock.
- b) Avoid body contact with earthed or grounded surfaces such as pipes, radiators, ranges and refrigerators. There is an increased risk of electric shock if your body is earthed or grounded.
- c) Do not expose power tools to rain or wet conditions. Water entering a power tool will increase the risk of electric shock.
- d) Do not abuse the cord. Never use the cord for carrying, pulling or unplugging the power tool. Keep cord away from heat, oil, sharp edges or moving parts. Damaged or entangled cords increase the risk of electric shock.
- e) When operating a power tool outdoors, use an extension cord suitable for outdoor use. Use of a cord suitable for outdoor use reduces the risk of electric shock.
- f) If operating a power tool in a damp location is unavoidable, use a ground fault circuit interrupter (GFCI) protected supply. Use of a GFCI reduces the risk of electric shock.

3) PERSONAL SAFETY

- a) Stay alert, watch what you are doing and use common sense when operating a power tool. Do not use a power tool while you are tired or under the influence of drugs, alcohol or medication. A moment of inattention while operating power tools may result in serious personal injury.
- b) Use personal protective equipment. Always wear eye protection. Protective equipment such as dust mask, non-skid safety shoes, hard hat, or hearing protection used for appropriate conditions will reduce personal injuries.
- c) Prevent unintentional starting. Ensure the switch is in the off position before connecting to power source and/or battery pack, picking up or carrying the tool. Carrying power tools with your finger on the switch or energising power tools that have the switch on invites accidents.
- d) Remove any adjusting key or wrench before turning the power tool on. A wrench or a key left attached to a rotating part of the power tool may result in personal injury.
- e) Do not overreach. Keep proper footing and balance at all times. This enables better control of the power tool in unexpected situations.
- f) Dress properly. Do not wear loose clothing or jewellery. Keep your hair, clothing and gloves away from moving parts. Loose clothes, jewellery or long hair can be caught in moving parts.
- g) If devices are provided for the connection of dust extraction and collection facilities, ensure these are connected and properly used. Use of dust collection can reduce dust-related hazards.

4) POWER TOOL USE AND CARE

- a) Do not force the power tool. Use the correct power tool for your application. The correct power tool will do the job better and safer at the rate for which it was designed.
- b) Do not use the power tool if the switch does not turn it on and off. Any power tool that cannot be controlled with the switch is dangerous and must be repaired.
- c) Disconnect the plug from the power source and/or the battery pack from the power tool before making any adjustments, changing accessories, or storing power tools. Such preventive safety measures reduce the risk of starting the power tool accidentally.
- d) Store idle power tools out of the reach of children and do not allow persons unfamiliar with the power tool or these instructions to operate the power tool. Power tools are dangerous in the hands of untrained users.
- e) Maintain power tools. Check for misalignment or binding of moving parts, breakage of parts and any other condition that may affect the power tool's operation. If damaged, have the power tool repaired before use. Many accidents are caused by poorly maintained power tools.
- f) Keep cutting tools sharp and clean. Properly maintained cutting tools with sharp cutting edges are less likely to bind and are easier to control.
- g) Use the power tool, accessories and tool bits etc., in accordance with these instructions taking into account the working conditions and the work to be performed. Use of the power tool for operations different from those intended could result in a hazardous situation.

5) BATTERY TOOL USE AND CARE




- a) Recharge only with the charger specified by the manufacturer. A charger that is suitable for one type of battery pack may create a risk of fire when used with another battery pack.
- b) Use power tools only with specifically designated battery packs. Use of any other battery packs may create a risk of injury and fire.
- c) When battery pack is not in use, keep it away from other metal objects like paper clips, coins, keys, nails, screws, or other small metal objects that can make a connection from one terminal to another. Shorting the battery terminals together may cause burns or a fire.
- d) Under abusive conditions, liquid may be ejected from the battery, avoid contact. If contact accidentally occurs, flush with water. If liquid contacts eyes, additionally seek medical help. Liquid ejected from the battery may cause irritation or burns.

6) SERVICE

- a) Have your power tool serviced by a qualified repair person using only identical replacement parts. This will ensure that the safety of the power tool is maintained.

Additional Specific Safety Instructions for Adhesive Guns

- Hold tool by insulated gripping surfaces when performing an operation where the cutting tool may contact hidden wiring or its own cord. Contact with a "live" wire will also make exposed metal parts of the tool "live" and shock the operator.
- Keep hands out of the plunger and plunger rod area of the caulk/adhesive gun. Fingers can be crushed between the tube holder and the plunger.
- When operating the caulk/adhesive gun overhead, do not have plunger rod in the path of your eyes or head. Plunger rod may slip back in direction of user. Always wear eyeprotection when using the caulk/adhesive gun.
- Always work in properly ventilated area and wear appropriate respiratory protection if necessary. Fumes from some caulks and adhesives can be noxious.
- Turn unit off and disconnect battery pack before installing and removing accessories, before adjusting or when making repairs. An accidental start-up can cause injury.
- Use only accessories that are recommended by the manufacturer for your model. Accessories that may be suitable for one tool may be hazardous when used on another tool. The use of improper accessories may cause risk of injury to persons.

- The label on your tool may include the following symbols. The symbols and their definitions are as follows:
- | | | | | | |
|----------|---------|---|------------------------|---|---------------------|
| V | volts | min | minutes | no | no load speed |
| Hz | hertz |  | direct current |  | earthing terminal |
| A | amperes | .../min | per minute |  | safety alert symbol |
| W | watts | RPM | revolutions per minute | | |

SAVE THESE INSTRUCTIONS FOR FUTURE USE

COMPONENTS (Fig. 1)

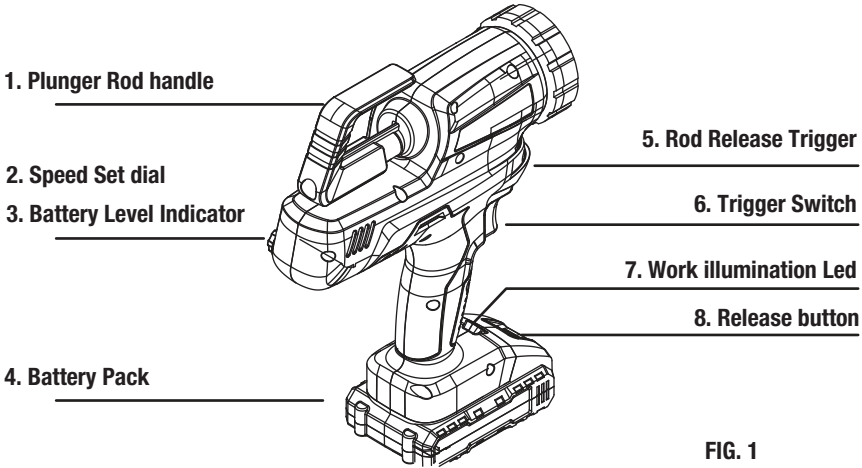


FIG. 1

SAUSAGE BARREL AND CARTRIDGE HOLDER (Fig. 2-3)

20 Oz. ALUMINUM SAUSAGE KIT

1. Barrel (350mm)
2. Sharp Nozzle
3. End CAP
4. Rack
5. Plunger support
6. Sausage Plunger
7. Hexagon nut

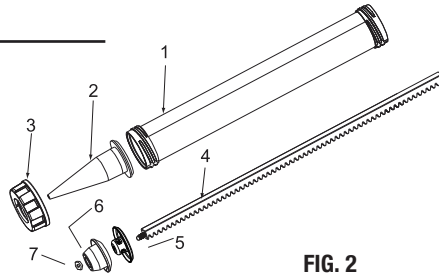


FIG. 2

10 Oz. CARTRIDGE KIT IN METAL HOLDER

4. Rack
7. Hexagon nut
8. Cartridge Plunger
9. Hexagon nut
10. Cartridge holder

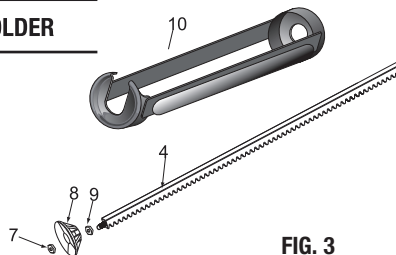


FIG. 3

FEATURES

1. Electronic Force Control

The tool is designed to dispense a wide range of adhesive and caulk, and to detect when material is not dispensing or dispensing slowly. In certain cases, the tool may not dispense material properly due to solidified adhesive, puncture holes, frozen materials and the like. Always follow the manufacturer's recommendations regarding solidified adhesive, puncture holes, frozen materials, etc. to reduce the risk of damaging the tube or casing. Remove the battery pack and replace material tube/casing following the manufacturer's instructions

2. Electronic Auto-reverse

This tool has an auto-reverse feature that reverses the plunger in certain situations depending on material used and speed of tool.

3. Overload

When an overload occurs, the tool will reach the maximum dispense force and continue to hold this maximum force until the user releases the trigger. If material is not dispensing, make sure that:

- Nozzle tip is cut
- Inner seal in the caulk tube is broken
- Hardened material is removed from the nozzle
- Caulk tube is not damaged or frozen
- Rod is free of caulk/adhesive materials.

4. Battery protection system

The tool is equipped with a battery protection system. This system automatically cuts off power to the motor to extend battery life. The tool will automatically stop during operation if the tool and/or battery are placed under one of the following conditions:

• Low battery voltage:

The remaining battery capacity is too low and the tool will not operate. In this situation, remove and recharge the battery.

• Over heat

The battery temperature is over 55 °C. In this situation, remove the battery and put in the cool area.

OPERATION

Installing and Removing the Battery Pack (Fig. 1)

NOTE: Always switch off the tool before installing or removing of the battery cartridge.

Hold the tool and the battery pack (4) firmly when installing or removing battery cartridge. Failure to hold the tool and the battery cartridge firmly may cause them to slip off your hands and result in damage to the tool and battery cartridge and a personal injury. To remove the battery cartridge, with draw it from the tool while pressing the release buttons (8) on the cartridge.



Always insert it all the way until it locks in place with a little click. If not, it may accidentally fall out of the tool, causing injury to you or someone around you. Do not use force when inserting the battery cartridge. If the cartridge does not slide in easily, it is not being inserted correctly.

Trigger Switch (Fig. 1)

To turn the tool on, squeeze the trigger switch (6). To turn the tool off, release the trigger switch. Your tool is equipped with a trigger switch lock-off (5) to safeguard against inadvertent release of material.

Variable Speed Dial (Fig. 1)

1. Turn the variable speed dial (2) to an appropriate speed for your application. Turn the dial counterclockwise for minimum flow of caulk or adhesive. Turn the dial clockwise for maximum flow of caulk or adhesive.
2. Press the trigger switch (6) to start the flow of material.
3. Release trigger switch to stop the flow of material.

Rotating Sausage Barrel / Cartridge Holder

The sausage barrel cartridge holder rotates 360° to apply material at any angle.

Plunger Rod Handle (Fig. 1)

WARNING: To reduce the risk of personal injury, turn unit off and disconnect battery pack before installing and removing accessories, before adjusting or when making repairs.

WARNING: To reduce the risk of serious personal injury, DO NOT use the plunger rod handle (1) as a hook to suspend objects from.

The plunger rod handle may be used to suspend tool from a stable location when not in use or for storage.

To Adjust Plunger Rod (Fig. 1-3)

1. To manually adjust plunger rod (Fig. 2.4), press and hold the plunger rod release trigger (5).
2. Push or pull plunger rod handle (1) to desirable position.
3. Release plunger rod release trigger.

To Insert Material

NOTE: Material left in the cartridge/sausage holder may dry if left unattended. Follow manufacturer's recommendations when using caulk or adhesive material.

CARTRIDGE HOLDER (FIG. 3)

1. Ensure that the proper cartridge holder is installed properly.
2. Attach the cartridge plunger to the rod
3. Trim nozzle end of the caulk/adhesive tube. Small openings require more force to push the material possibly affecting battery life.
4. Break inner seal of caulking tube or adhesive material using the poker attached to the cartridge holder.



CAUTION: If the inner seal is not broken, material could be forced out through the rear of the tube and damage the tool.



CAUTION: Keep plunger rod, cartridge holder and cartridge clean of all material. Retracting a plunger rod that is covered with dried material may damage the internal parts of the tool and cause misalignment of tube.

5. Securely hold the tool, Using the plunger rod handle (1), pull the plunger rod (FIG.3.4) back to allow the caulk/adhesive tube to fit inside the cartridge holder.
6. Insert caulk/adhesive tube.
7. Press and hold plunger rod release trigger (5) while pushing the plunger rod handle (1) forward until the plunger (FIG.3.4) is against the tube.
8. Release the plunger rod release trigger.
9. Rotate cartridge holder to desired angle.

SAUSAGE BARREL (FIG. 2)

1. Unscrew End cap (FIG.2.3) and remove nozzle (FIG.2.2).
2. Press and hold plunger rod release trigger (5). Using the plunger rod handle (1), pull plunger rod (FIG.2.4) back to allow the caulk/adhesive casing to fit inside the sausage barrel (FIG.2.1).
3. Insert sausage pack into sausage holder and cut casing (closest end to the nozzle) according to manufacturer's instructions.

IMPORTANT: Insert sausage pack into sausage holder and cut casing (closest end to the nozzle) according to manufacturer's instructions. This sausage holder is designed to be used only WITH sausage packs.

DO NOT remove caulk/adhesive material from the casing. NEVER dip the nozzle tip into any type of material.

4. With nozzle tip facing away from tool, screw End cap back onto sausage barrel.
5. Trim tip of nozzle cap for appropriate application

MAINTENANCE

WARNING: To reduce the risk of personal injury, turn unit off and disconnect battery pack before installing and removing accessories, before adjusting or when making repairs.

To clean the cartridge holder, follow manufacturer's recommendations for cleaning material from nozzle, plunger and plunger rod. To clean the sausage barrel, unscrew nozzle cap and sausage holder and remove from tool. Follow the manufacturer's recommendations for cleaning material from nozzle, plunger, plunger rod and sausage holder.