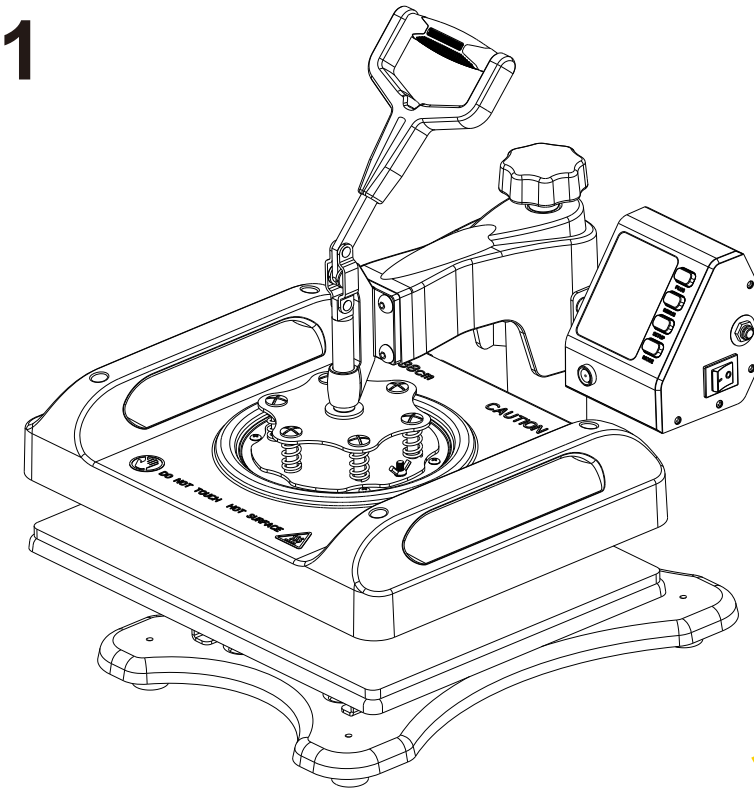


HEAT PRESS P8001



EN Start Here

⚠ Warnings must be followed carefully to avoid body injury.

Transfer Parameter(for reference)

200°C(390°F) 60S	170°C(338°F) 25S	200°C(390°F) 60S	200°C(390°F) 40S	190°C(380°F) 400S	190°C(380°F) 720S	170°C(338°F) 100S
180°C (360°F) 180S	180°C (360°F) 180S	200°C(392°F)900S	180°C (360°F) 90S	170°C(338°F) 100S	180°C(360°F) 300S	200°C(390°F) 20S

Main parameters

Product Name	Multi funtion heat press machine	Rated voltage	220V~	110V~
Item No.	P8001	Rated frequency	50Hz	50-60Hz
Highest temperature	210°C 410°F	Rated power	1000W	850W
Transfer size	290X380mm	Length of the cable	1.5 M	
Packing size	540X460X450mm	Mug heat press machine power	280 W	
Cap heat press machine power	150W	Pen heat press machine power	160 W	

Feature commentary

1

+ Plus

- Minus

⚙ Setup

👤 Mode



Note: Press (+/-) to switch Fahrenheit and Celsius



1. How to switch the machine/how to start working?



Press the switch button on the side of the temperature control box to turn it on. Countdown start button, press once to start the countdown; press again to reset.

2. How to set the temperature/time?



Press once to set the temperature, press again to set the time, press again to exit (Automatically exit without operation within 5 seconds)

3. How to set the temperature/time to increase or decrease?



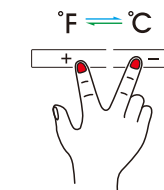
Set time/temperature value increase



Set time/temperature value reduced

4. How to convert the temperature unit between Celsius and Fahrenheit?

In the power-on state, press "+" and "-" at the same time to switch the temperature unit



5. How to set the automatic shutdown time?



Long press for 5 seconds to set the automatic shutdown time. (The factory default is 60 minutes, the range can be set from 10 minutes to 120 minutes)

6. How to perform temperature correction?



Press and hold for 5 seconds to enter the temperature correction setting. (Range $\pm 30^{\circ}\text{C}$, initial value is 0)

7. How to turn on/off the alert tone?

In the shutdown state, press "-" to turn off the prompt sound, and the display is OFF; Press again to turn on the beep and display as ON

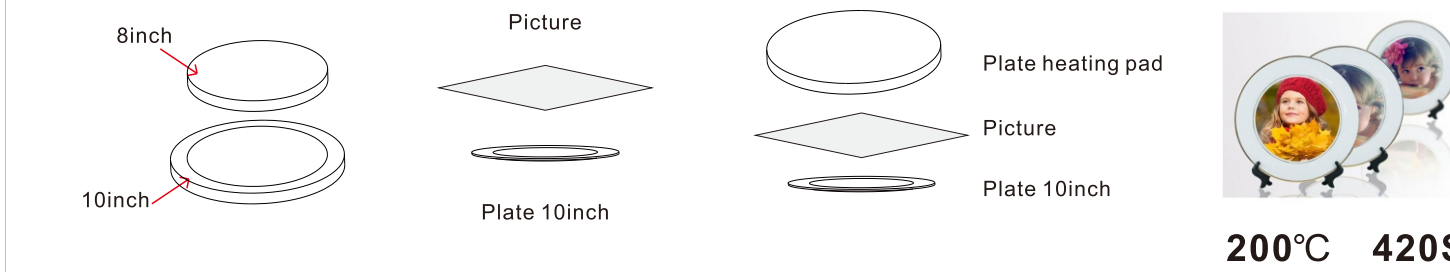
8. Warm reminder, the highest setting temperature of this machine is 210°C, and the longest time is 999 seconds

Accessories installation diagram

Please perform all operations after power off

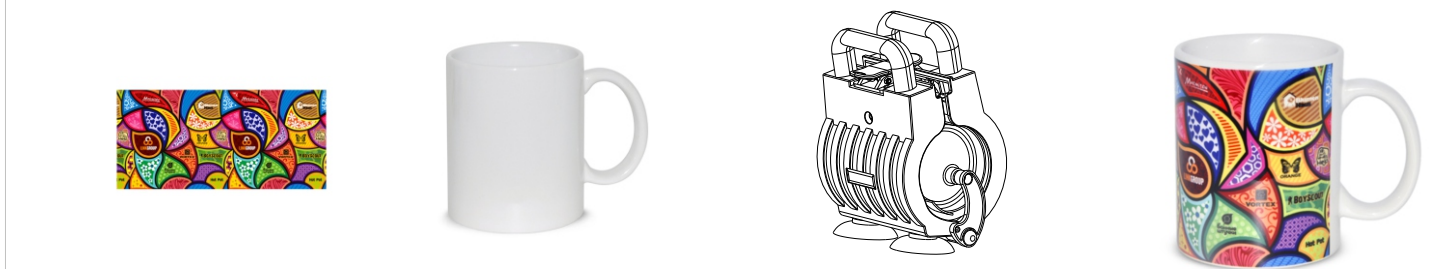


Plate transfer process



1. Select one side that matches the size of the plate to be sleeved with a silica gel pad, and remove the silica gel pad on the other side; Keep the side without silica gel pad facing upwards and heat it on the machine for 15 minutes;
2. Put the hot stamping paper on the plate that wants to print the pattern.
3. Remove the heating plate and place it on the plate, keeping the side without silica gel pad facing upward

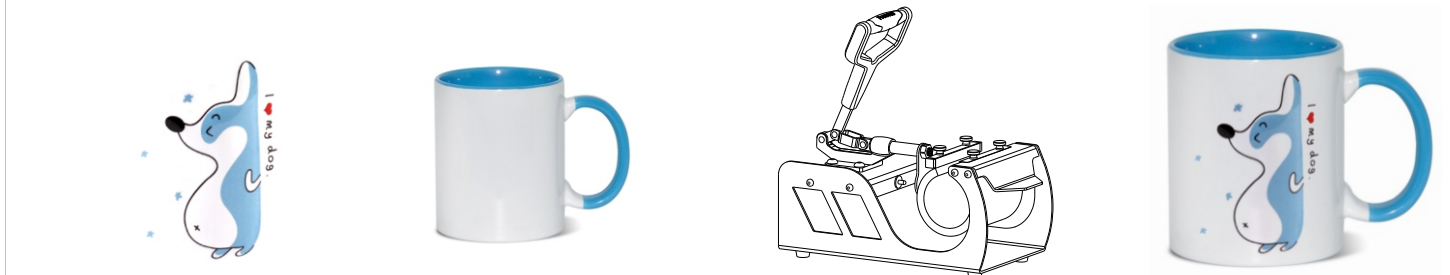
This mug heat press machine is matched with 5 in 1 and 6 in 1.



1. Connect the cap baking machine to the main machine and set the time and temperature
2. Stick the transferred picture on the hat.
3. When the temperature reaches, place the hat into the hat baking machine and press tightly.

180°C (360°F) 180S

This mug heat press machine is matched with 8 in 1,10 in 1,11 in 1

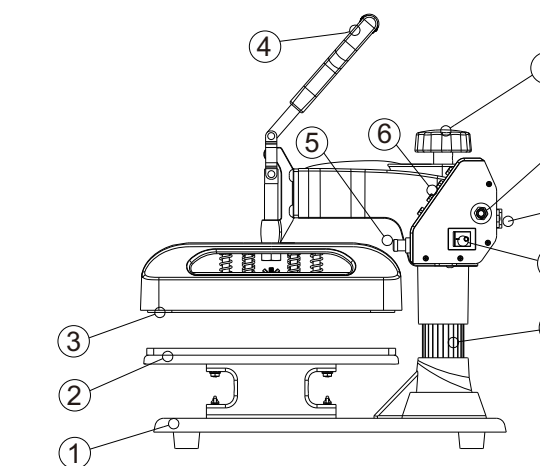


1. Connect the cap baking machine to the main machine and set the time and temperature
2. Stick the transferred picture on the hat.
3. When the temperature reaches, place the hat into the hat baking machine and press tightly.

180°C (360°F) 180S

Main spare parts

1. Pedestal
2. Placement
3. Heating plate
4. Handle
5. Aviation connector
6. Button
7. Lift knob
8. Overload protector
9. Power socket
10. Power switch
11. Column



Guarantee

The products are strictly based on the Consumer Protection Law of the People's Republic of China and the Product Quality Law of the People's Republic of China. The services are as follows:

Within 12 months, this product has the performance failure listed in the "Product Performance Failure Table". It is confirmed by SUNMETA and can be used for maintenance service free of charge. If out of validity, damage caused by force majeure, or human causes, the machine is not covered by the warranty, repair in charge.

Safety instruction:

Before operating this unit, please read these instructions completely and save them

Notice

- ⚠ Keep unplug when moving the machine
- ⚠ Keep unplug when installing accessories
- ⚠ Place on a flat and stable platform and operate under ventilated conditions
- ⚠ Wear special protective equipment when operating the machine

Warning

Improper use may result in electric shock, fire, personal injury and other damage.

- ⚠ Do not use this machine in a hazardous location
- ⚠ Do not use when the machine is not working properly.
- ⚠ Do not allow children or adults who do not understand this manual to operate this machine.
- ⚠ Do not disassemble and repair this machine.
- ⚠ Do not use an unsuitable AC outlet.
- ⚠ Do not touch the heating plate when the machine heating.

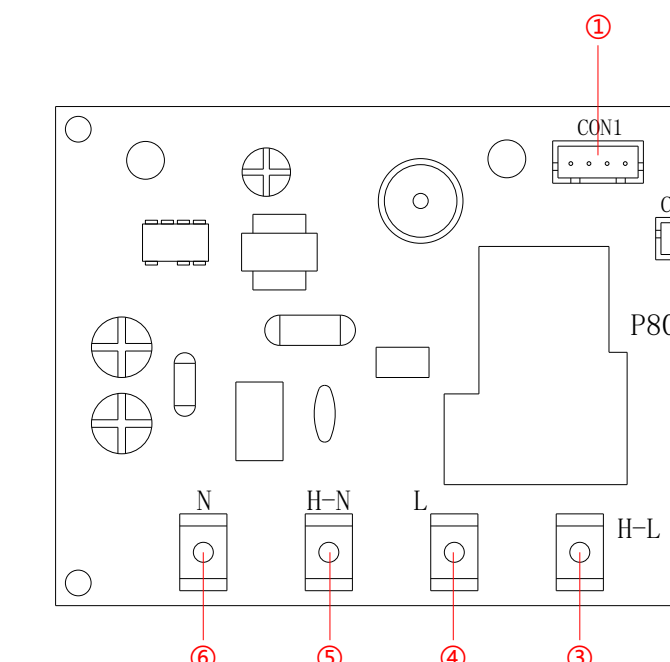


Warning

warranty content

Product Performance Failure Table

Machine body	Parts of the machine itself (excluding main parts)	One year	Fault 1	The machine cannot be used normally according to the operating procedure
Main parts	29*38mm aluminum alloy heating plate	One year	Fault 2	Heating plate not heating
	PCBA(circuit board)	One year	Fault 3	Display error
	Mug heating element	90days	Fault 4	Failure heating
	Pen heating element, cap heating element	One year	Fault 5	Failure heating



Circuit Board Wiring Method

3

1. Cables on the motherboard and display
2. NTC temperature probe
3. Hot plate
4. Main incoming line
5. Heating plate zero line
6. Main incoming zero line