

# Chain/Belt Drive Garage Door Opener



To reduce the risk of injury to persons or damage to property  
Please use this opener only with a one-piece or sectional residential door

## INSTALLATION AND OPERATION MANUAL

Please save this manual for future reference

### **▲WARNING**

Read all instructions and warnings before use. Failure to follow all instructions may result in serious personal injury or product damage.

# CONTENTS

<b>1,User Information</b>	
1-1,Safety Notes.....	3
1-2,Important Safety Instructions.....	3
1-3, Important Safety Requirements and Regulations.....	3-4
<b>2,Package Contents.....</b>	<b>5</b>
<b>3, Features and Benefits</b>	
3-1,Technical Parameters.....	6
3-2,Using Door Type.....	6-7
3-3,Function Instruction.....	7
<b>4, Tools Needed.....</b>	<b>8</b>
<b>5, Assembly</b>	
5-1,Assemble the rail and trolley (for a multi-part rail).....	9
5-2,Install the straight door arm/curved door arm.....	10
5-3,Position and secure the chain (for a multi-part rail).....	10
5-4,Tighten the chain (for a multi-part rail).....	11
5-5,Fasten the rail to the power head.....	11
<b>6 Installation</b>	
6-1,Determine the header bracket location.....	12-13
6-2,Install the header bracket.....	13-14
6-3,Attach the rail to the header bracket.....	14-15
6-4,Position the garage door opener.....	15-18
6-5,Install the door bracket.....	18-20
6-6,Connect the door arm to the trolley.....	20-23
6-7, Install the Protector System.....	23-25
<b>7,Adjustments</b>	
7-1, Introduction.....	26
7-2, Symbols Introduction.....	27
7-3, Setting the UP(Open) Travel Limit.....	27-28
7-4, Setting the DOWN(Close) Travel Limit.....	28
7-5, Adjust the Operating Force.....	28-29
7-6, Test the Safety Reversal System.....	30
7-7, Test the Protector System.....	30
<b>8, Programming</b>	
8-1, Programming Remotes and Wireless Wall Mounted Remote.....	31
8-2,Replacing Battery in Remote and Wireless Wall Mounted Remote.....	32
8-3, Programming Wireless Keypad.....	32-35
<b>9, Clearing Remotes.....</b>	<b>36</b>
<b>10, Trolley User Manual.....</b>	<b>37</b>
<b>11, Troubleshooting.....</b>	<b>38</b>
<b>12, Warranty.....</b>	<b>39</b>
<b>13, Accessories and Repair parts.....</b>	<b>40-41</b>

**READ AND FOLLOW ALL INSTRUCTION**

# 1, User Information

---

## 1-1, Safety Notes:

Garage doors are the largest automated moving object in most homes. Care needs to be taken when using this system. Since moving objects, springs under tension, and electric motors can cause injuries, your safety and the safety of others depend on you reading the information in this manual.

## 1-2, Important Safety Instructions:

**READ AND FOLLOW ALL SAFETY, INSTALLATION AND OPERATION INSTRUCTIONS.**

- Only operate the garage door when in full view to ensure people remain away from the door while door is moving
- Keep all controls away from children and do not allow them to play with the door opener
- Regularly check the door and when required have it repaired or serviced.
- Safety beam must be installed to close door.

**CAUTION:** This garage door opener is designed to operate only at 110V-120V, 60HZ to avoid malfunction and damage.

## 1-3, Important Safety Requirements and Regulations

**⚠ FAILURE TO COMPLY WITH THESE SAFETY REQUIREMENT AND LOCAL SAFETY REGULATIONS MAY RESULT IN SERIOUS INJURY, DEATH OR DAMAGE TO PROPERTY.**

PLEASE READ CAREFULLY AND ENSURE THAT ALL SAFETY RECOMMENDATIONS and REQUIREMENTS ARE CONSIDERED ADHERED TO.

- The appliance is not to be used by children or persons with reduced physical, sensory or mental capabilities, or lack of experience and knowledge, unless they have been given supervision or instruction.
- Children being supervised not to play with the appliance.
- **WARNING:** Important safety instructions. It is important for the safety of persons to follow all instructions. Save these instructions.
- Frequently examine the installation, in particular check cables, springs and mountings for signs of wear, damage or imbalance. Do not use if repair or adjustment is needed since a fault in the installation or an incorrectly balanced door may cause injury.
- Each month check that the drive reverses when the contacts a 40mm high object placed on the floor. Adjust if necessary and recheck since an incorrect adjustment may present a hazard.
- Before installing the drive, remove all unnecessary ropes or chains and disable any equipment, such as locks, not needed for powered operation.
- Before installing the drive, check that the door is in good mechanical condition, correctly balanced and open and closes properly.
- Install the actuating member for the manual release at a height less than 1.8m.
- Install any fixed control at a height of at least 1.5m and within sight of the door but

# **1, User Information (Continued)**

---

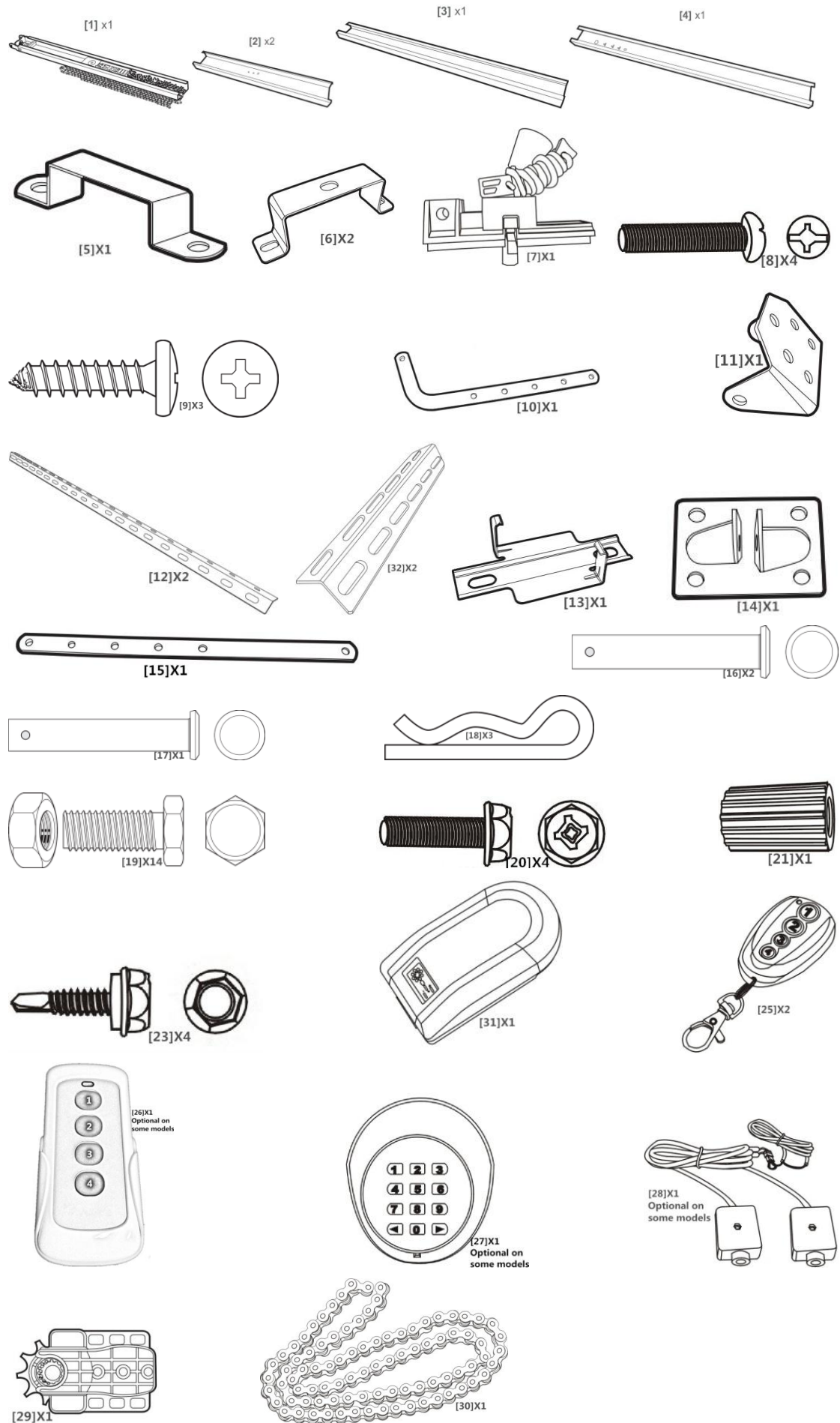
away from moving parts.

- Permanently fix the label warning against entrapment in a prominent place or near any

fixed controls.

- Permanently fix the label concerning the manual release adjacent to its actuating member.
- After installation, ensure that the mechanism is properly adjusted and that the drive reverses when the door contacts a 40mm high object placed on the floor.
- Necessary information for the safe handling of a drive weighing more than 20kg. This information shall describe how to use the handling means, such as hooks and ropes.
- The drive must not be used with a door incorporating a wicket door (unless the drive cannot be operated with the wicket door open).
- After installation, ensure that parts of the door do not extend over public footpaths or roads. If the supply cord is damaged, it must be replaced by the manufacturer, its service agent or similarly qualified persons in order to avoid a hazard.

# 2, Package Contents



# 3, Features and Benefits

---

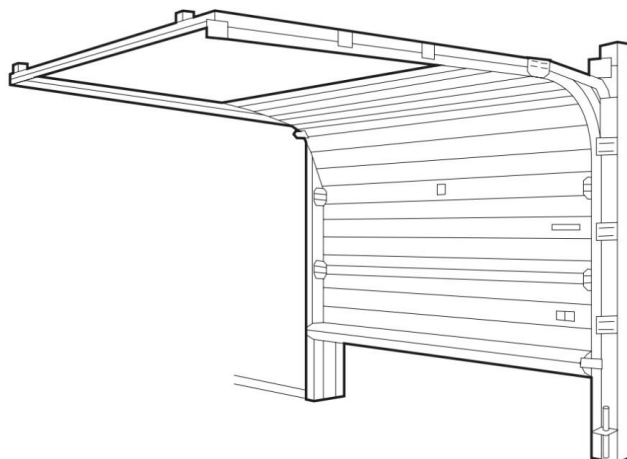
## 3-1, Technical Parameters

Model Number	ZTGD800	ZTGD1000
Pull and Push Force	800N	1000N
Motor Voltage	24V DC	24V DC
Voltage	240V, 50HZ	240V, 50HZ
Speed	120mm/s	120mm/s
Temperature Range	-20°C ~ +45°C	-20°C ~ +45°C
Remote Control Code	433.92MHZ	433.92MHZ
Remote Battery Voltage	12V,27A	12V,27A
Coding Format	Rolling Code	Rolling Code
Remote Distance (In Open Area)	50M	50M

## 3-2, Using door type

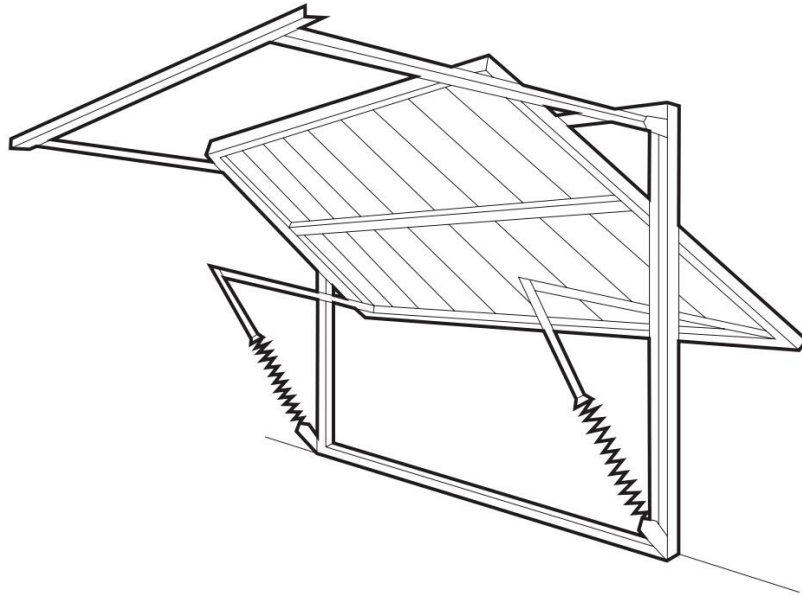
This Garage Door Opener is use only with residential sectional or one piece overhead garage doors.

Sectional overhead garage door: Maximum height 7'



## **3, Features and Benefits (Continued)**

One piece overhead garage door: Maximum height 7.3'



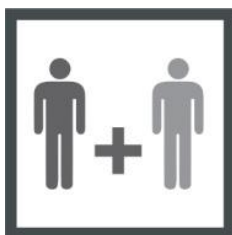
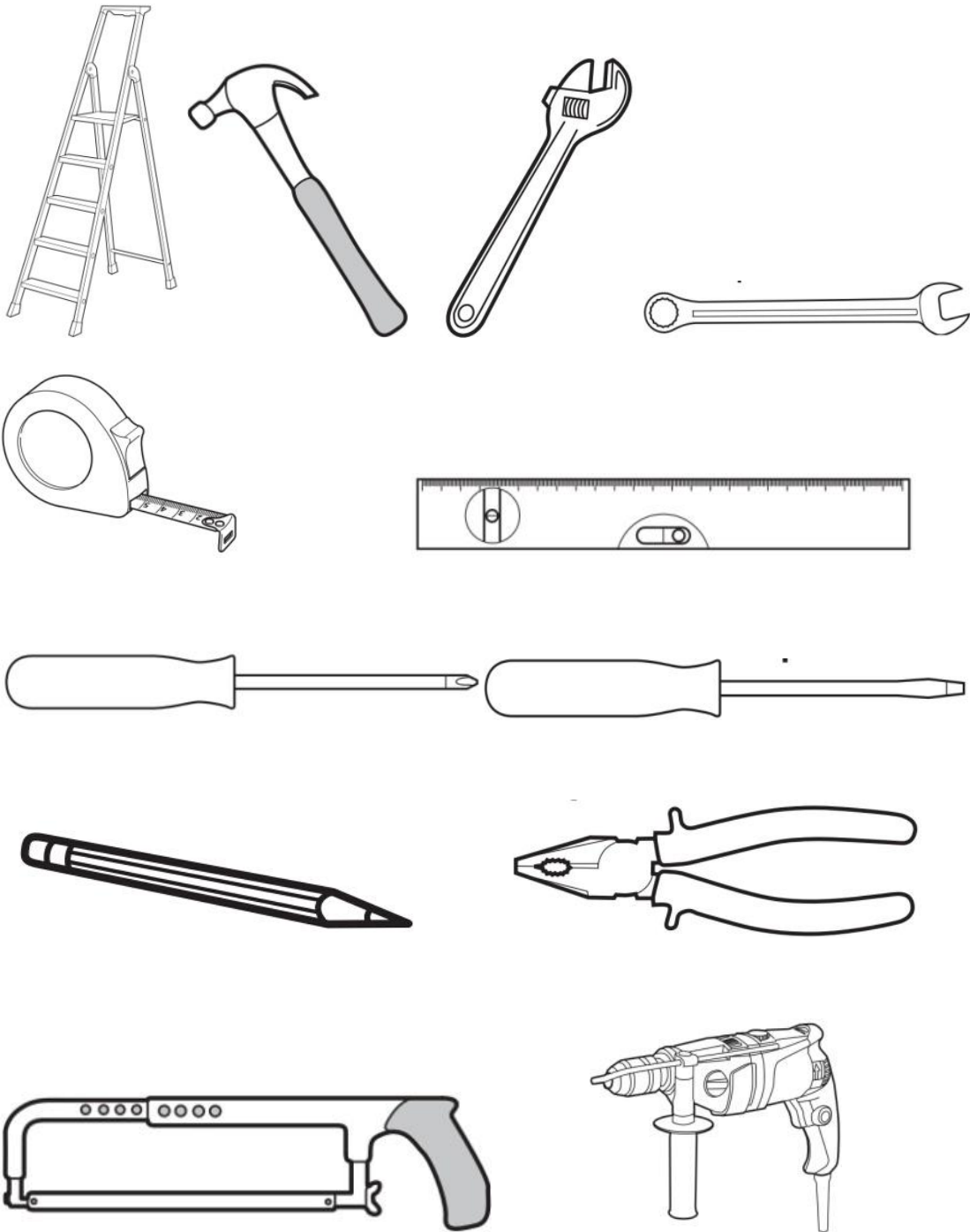
### **3-3,Function Instruction**

- Opens door smoothly with soft starts and stops
- Electronic limit setting provides precise door travel control
- Easy programming with control panel
- Door will reverse automatically if be obstructed during close
- Emergency manual release handle
- Bulb lighting system supplies light for safer evening exits and entries. Turns on when door is activated and automatically turns off four minutes later

# 4, Tools Needed

---

The tools illustrated below may be used during installation and adjustment of your opener (items not supplied):

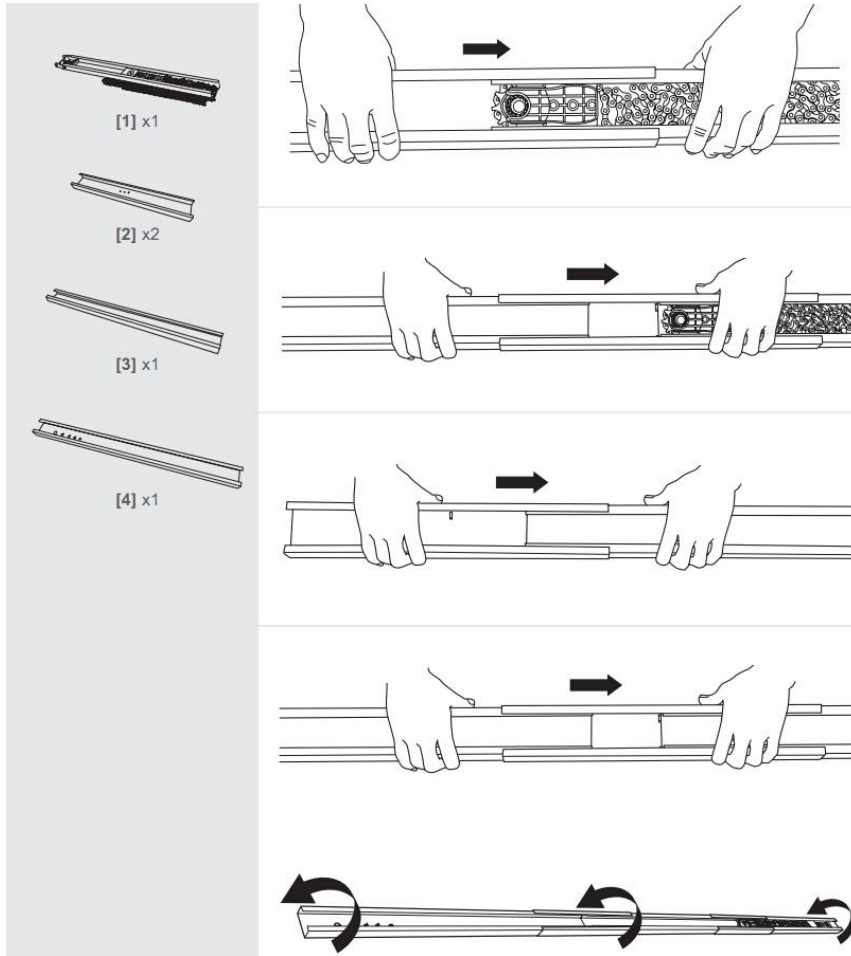


time assistance for certain tasks

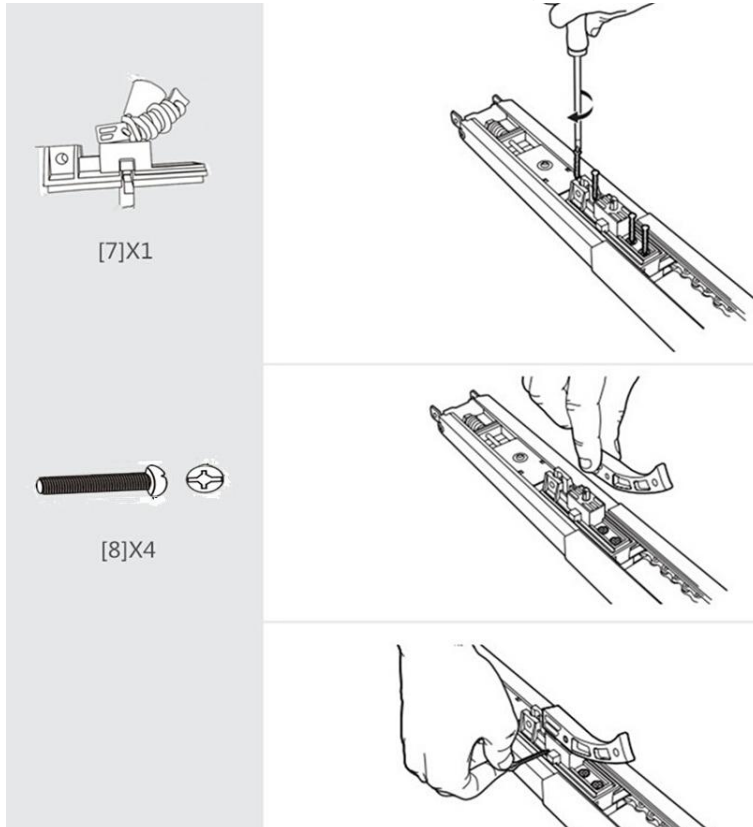


# 5, Assembly

## 5-1, Assemble the rail and trolley( for a multi-part rail)

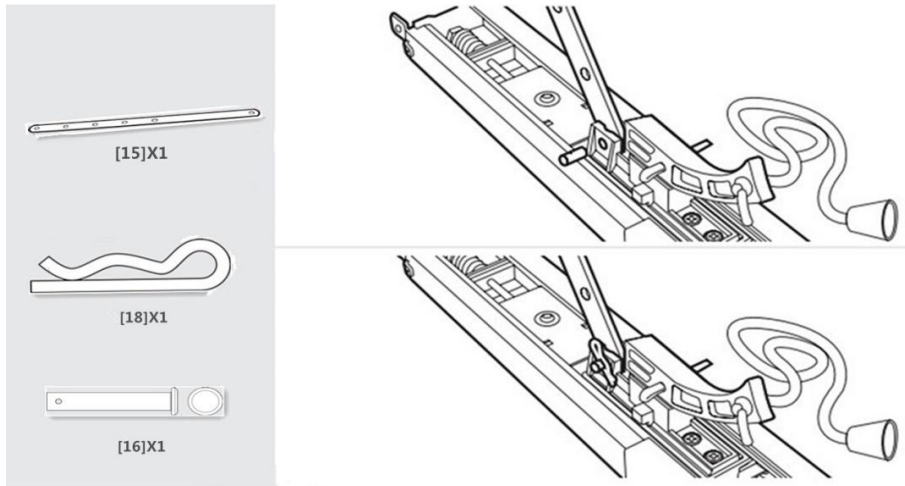


**CAUTION:** To prevent injury from pinching, please keep hands and fingers away from the joints while assembling the rail

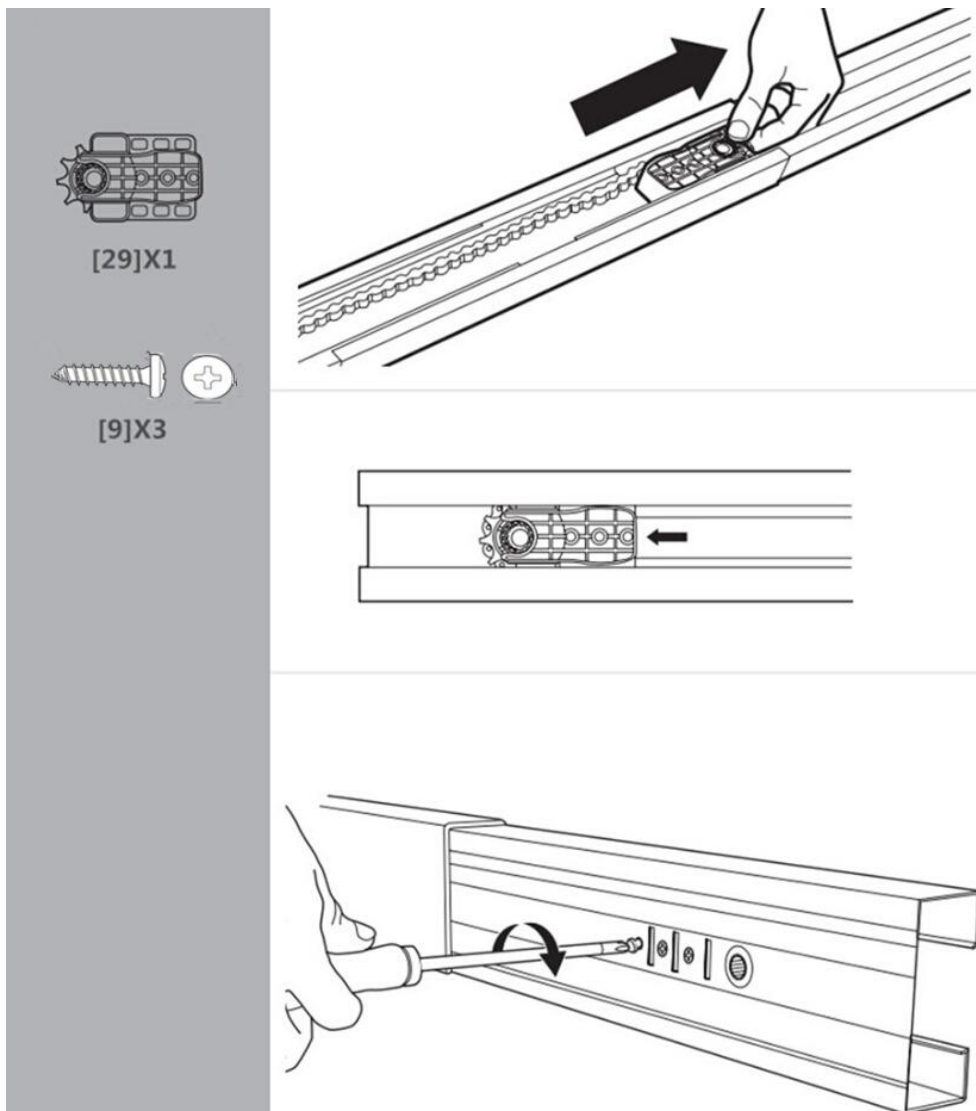


## 5, Assembly (Continued)

5-2, Install the straight door arm/curved door arm



5-3, Position and secure the chain( for a multi-part rail)



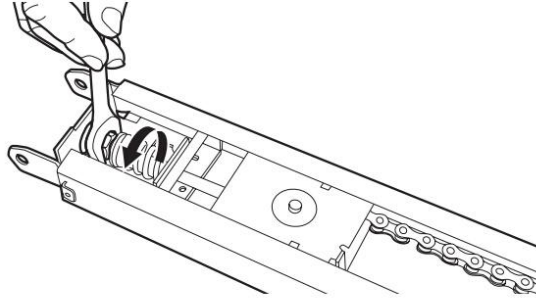
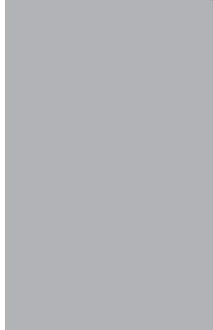
**⚠WARNING:** To avoid possible serious injury to fingers from moving garage door opener:

- Always keep hand clear of sprocket while operating opener
- Securely attach chain spreader before screwing

## 5, Assembly(Continued)

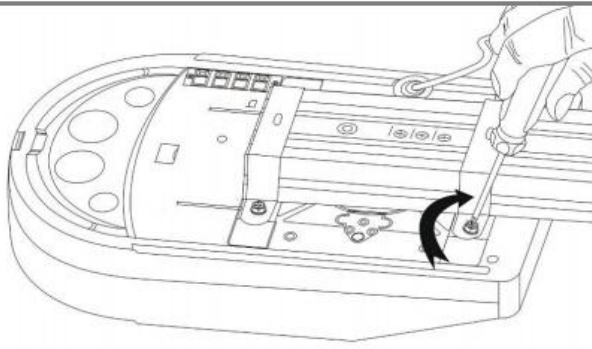
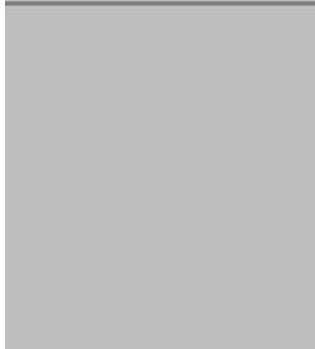
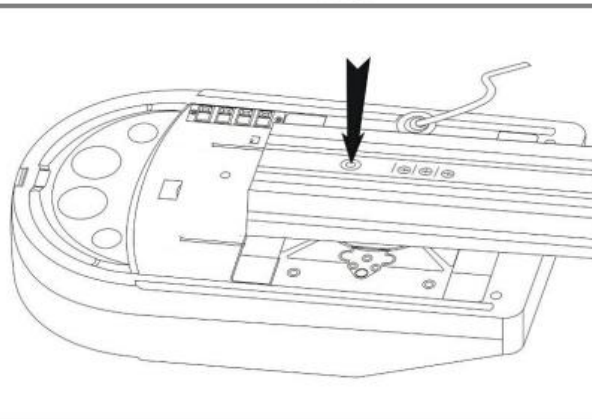
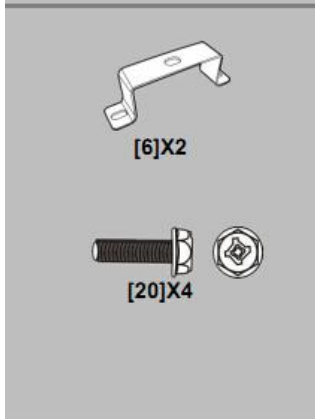
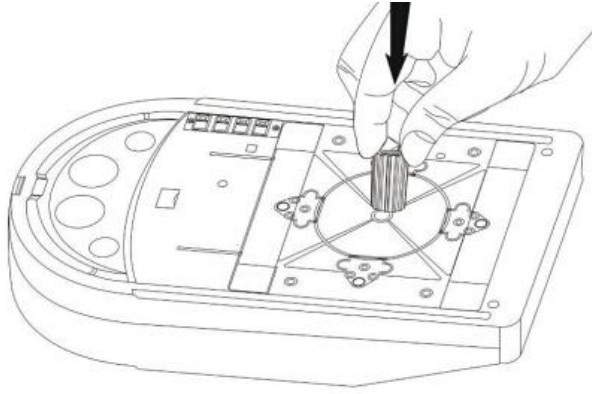
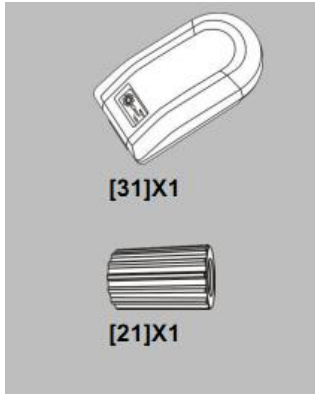
### 5-4, Tighten the chain( for a multi-part rail)

**NOTES:** During future maintenance, please always pull the emergency release handle to disconnect the trolley before adjusting the chain. Sprocket noise can result if the chain is too loose. Check for proper tension and readjust chain if necessary.



### 5-5, Fasten the rail to the power head

**CAUTION:** To avoid serious damage to garage door opener, please only use those bolts/fasteners mounted in the top of the opener.



You have now finished assembling your garage door opener.

# 6, Installation

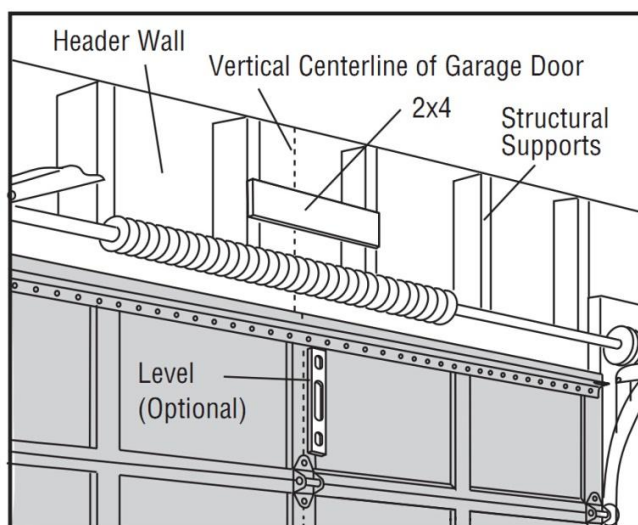
Please read the following warnings before proceeding to the installation section.

## IMPORTANT INSTALLATION INSTRUCTIONS

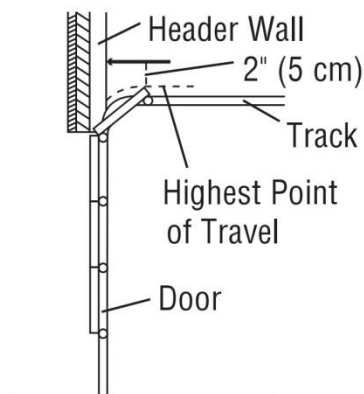
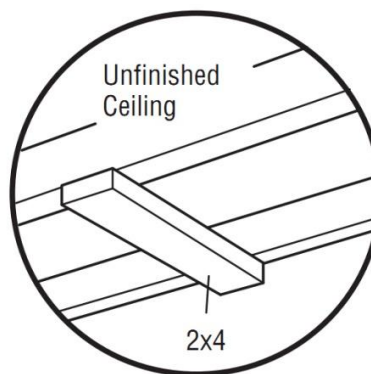
### ▲WARNING: To reduce the risk of severe injury or death:

- Please read and follow all installation warnings and instructions.
- Please install garage door opener only on properly balanced and lubricated garage door. An improperly balanced door may not reverse when required and could result in severe injury or death
- All repairs to cables, spring assemblies and other hardware must be made by a trained door systems technician before installing opener.
- Disable all locks and remove all ropes connected to garage door before installing opener to avoid entanglement.
- Please install garage door opener 7 feet floor.
- Please never wear watches, rings or loose clothing while installing or servicing opener. They could be caught in garage door or opener mechanisms.
- Please never connect garage door opener to power source until instructed to do so.
- Please place manual release/safety reverse test label in plain view on inside of garage door.
- To avoid serious personal injury or death from electrocution, please disconnect all electric power before performing any service or maintenance.

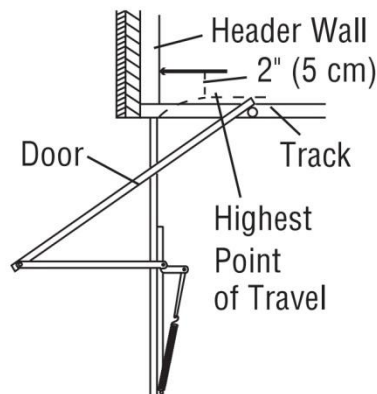
### 6-1, Determine the header bracket location



OPTIONAL CEILING MOUNT FOR HEADER BRACKET

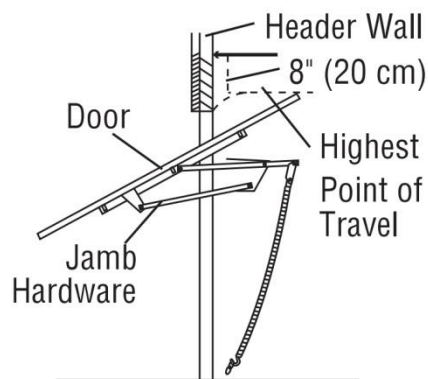


Sectional door with curved track

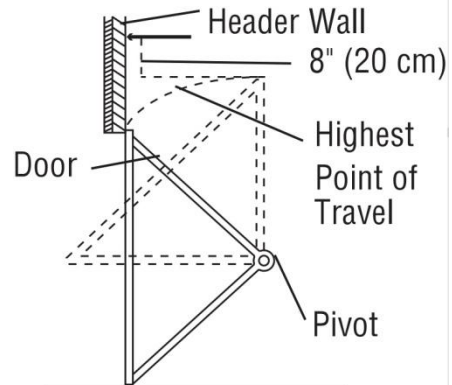


One-piece door with horizontal track

# 6, Installation(Continued)



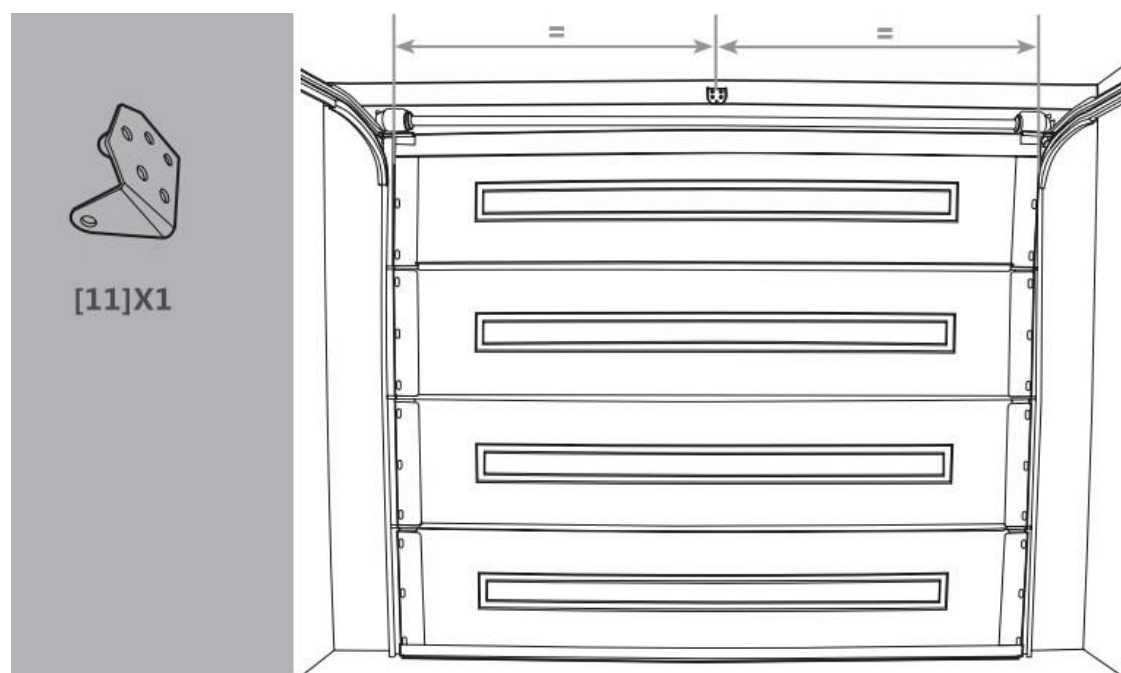
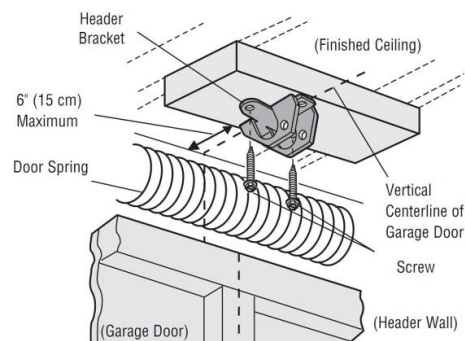
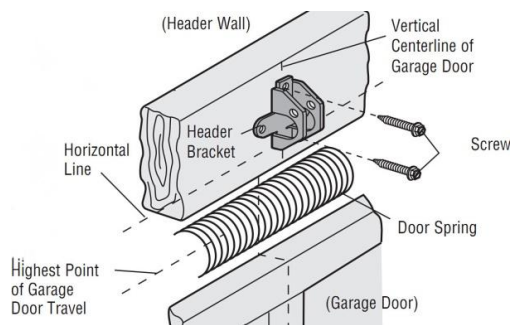
**One-piece door without track:  
jamb hardware**



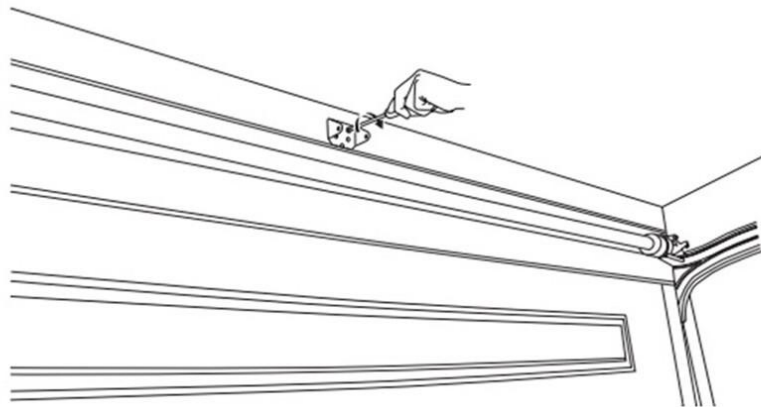
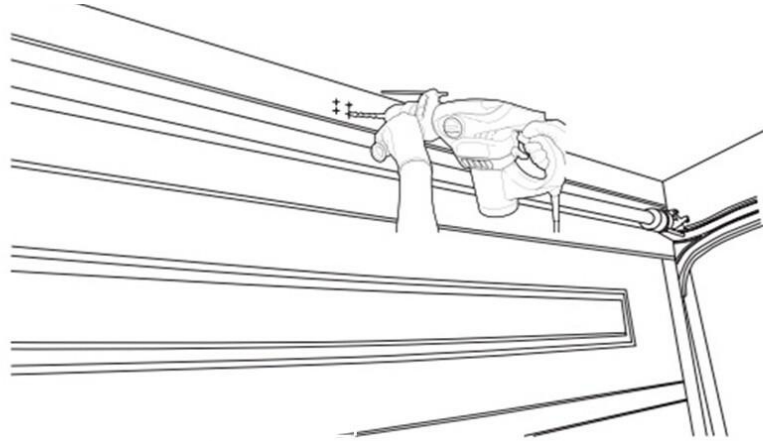
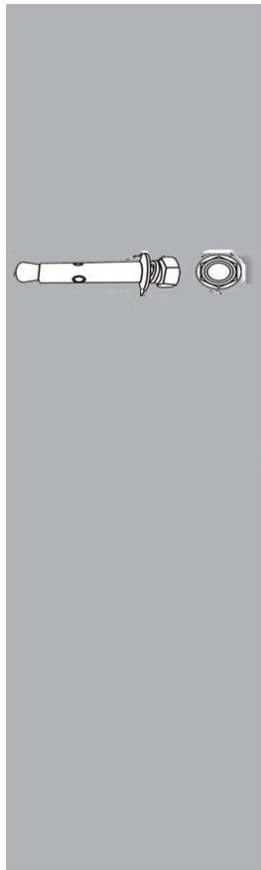
**One-piece door without track:  
pivot hardware**

## 6-2, Install the header bracket

You can attach the header bracket either to the wall above the garage door, or to the ceiling. Please follow the instructions which will work best for your particular requirements. **Please do not install the header bracket over drywall. If installing into masonry, use concrete anchors(not provided)**

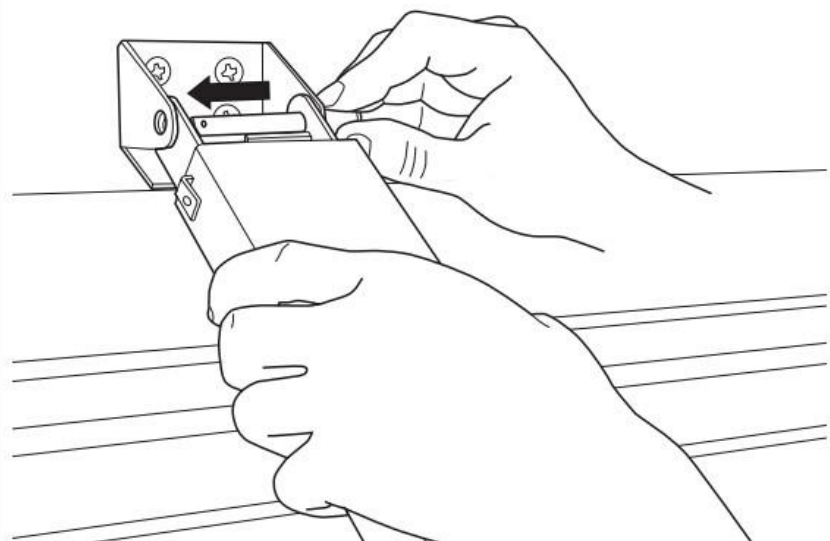


## 6, Installation(Continued)

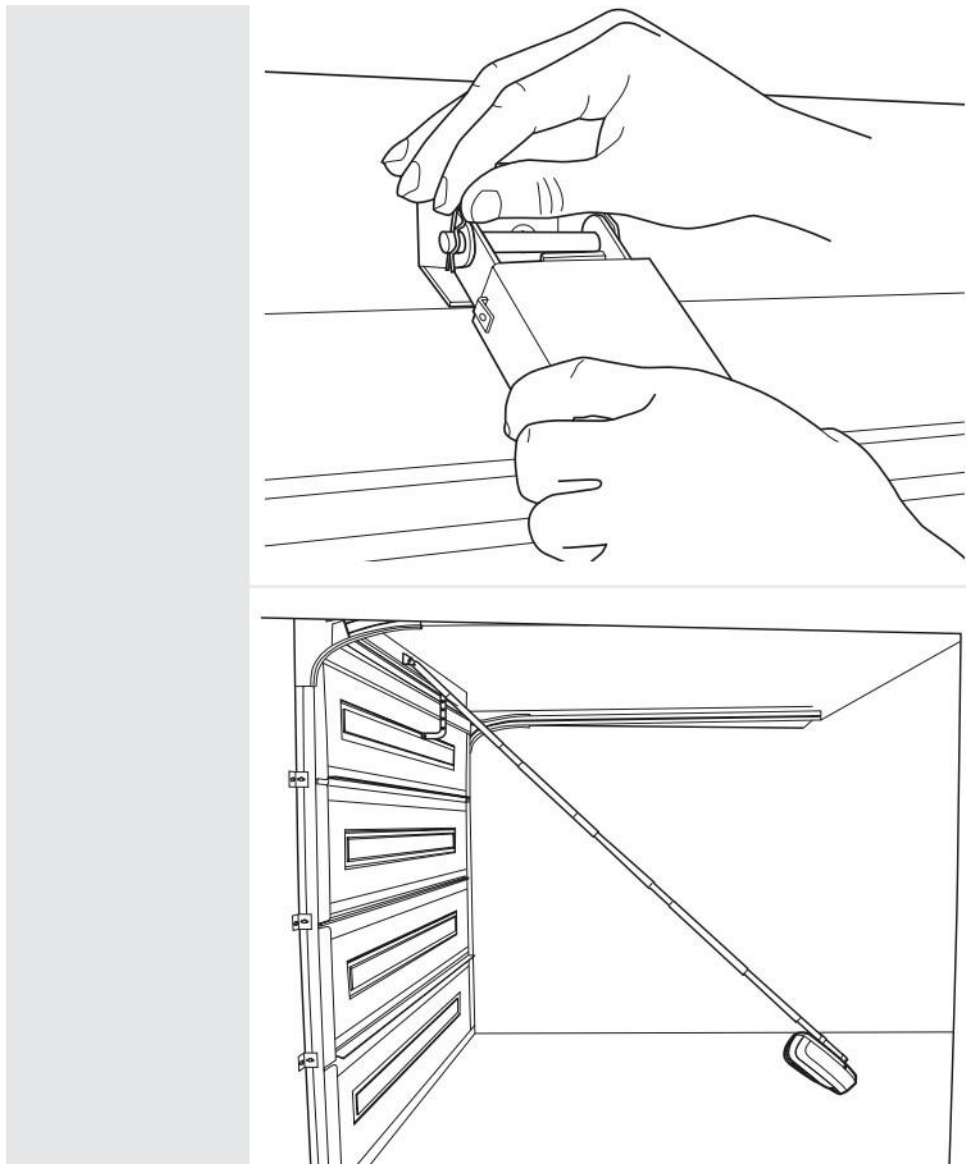


### 6-3, Attach the rail to the header bracket

Align the rail with the header bracket. Insert the clevis pin through the holes in the header bracket and rail. Secure with the R fastener



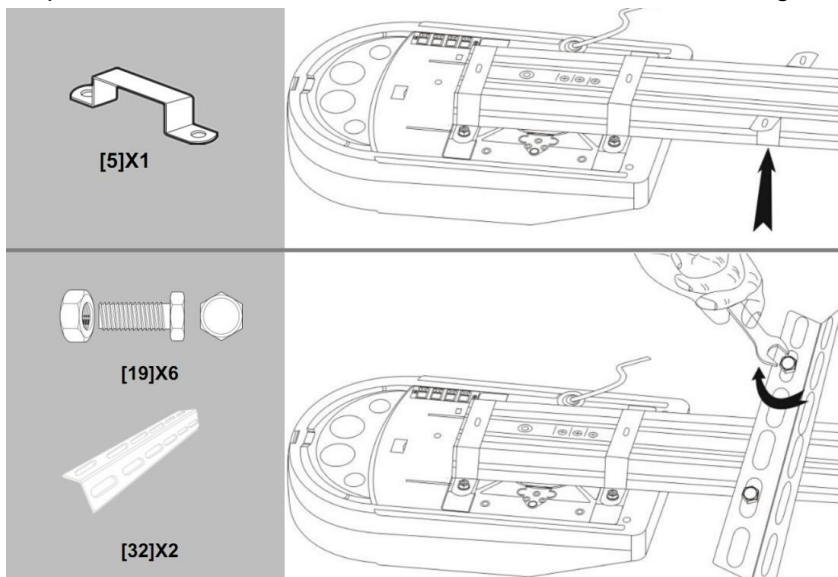
## 6, Installation(Continued)



### 6-4, Position the garage door opener

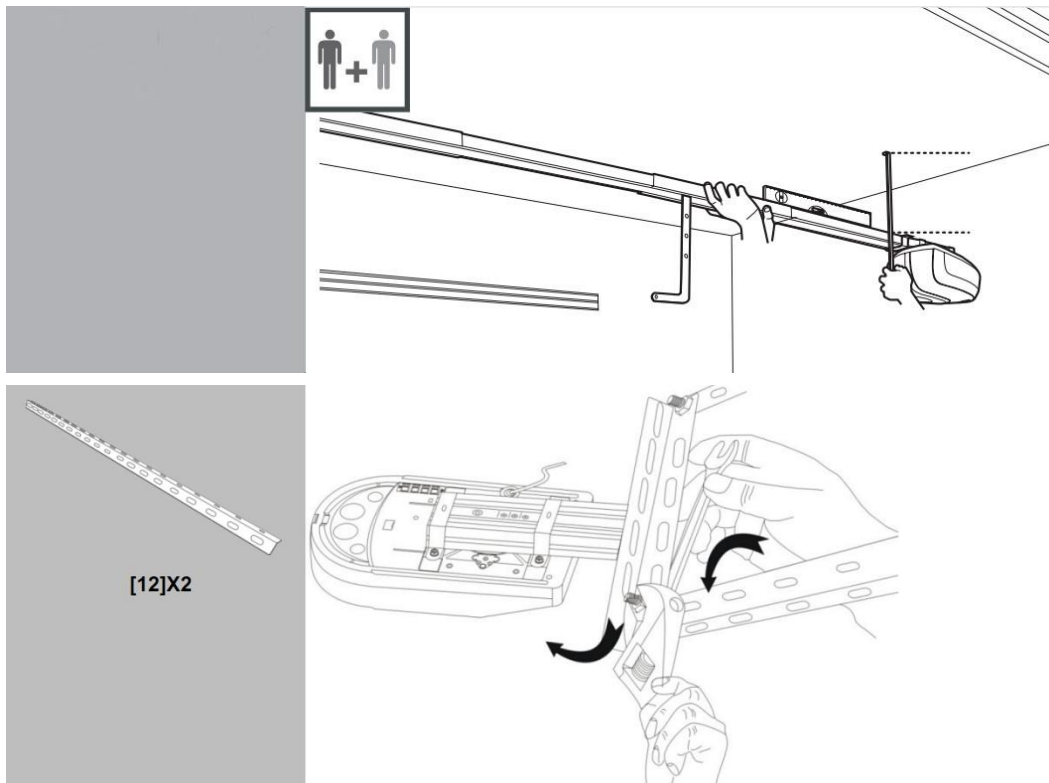
**CAUTION:** To prevent damage to garage door, with help of another person.

Step1, Attach the "U" bracket on the rail, connect with short angle iron with screws.

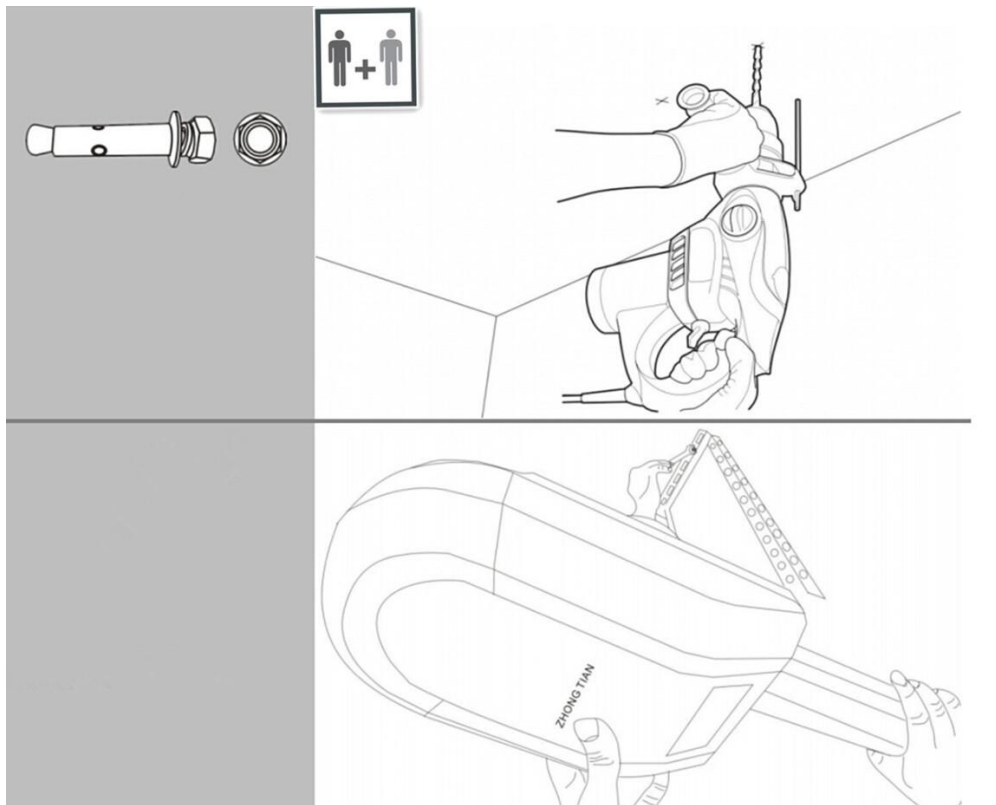


## 6, Installation(Continued)

Step2, Position the rail horizontally and measure the distance there between motor and ceiling. Make sure the garage door opener is aligned with the header bracket. Measure the distance from each side of the garage door opener to the ceiling. Cut two long angle irons accordingly, and connect with two short angle irons with same screws.



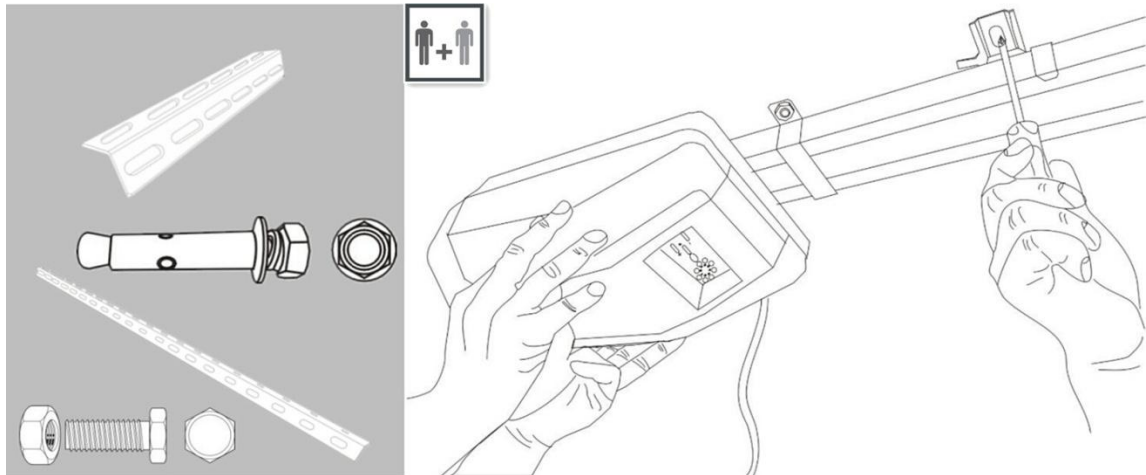
Step3, With the help of another person, attach the rail to ceiling with anchors and screws(not included)





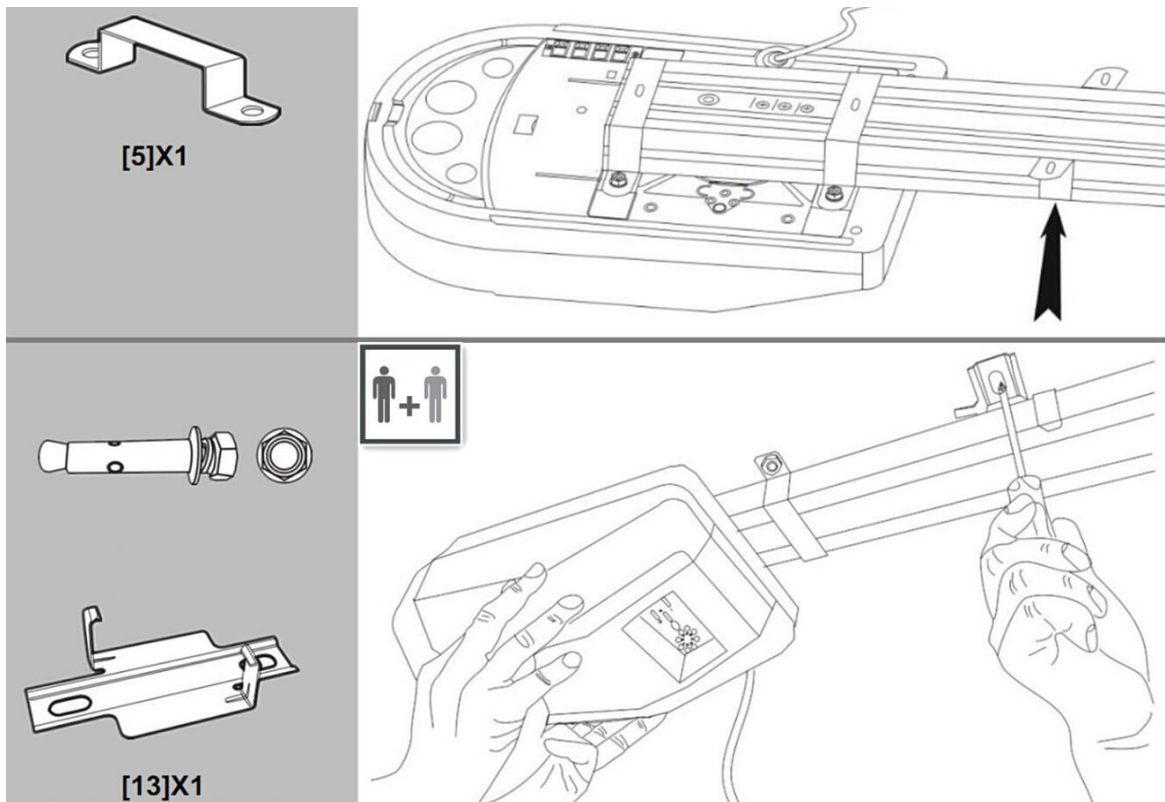
## 6, Installation(Continued)

Step4, Attach the middle of rail to ceiling with hanging bracket, anchors , screws, and angle irons( not included, should be applied by door suppliers)

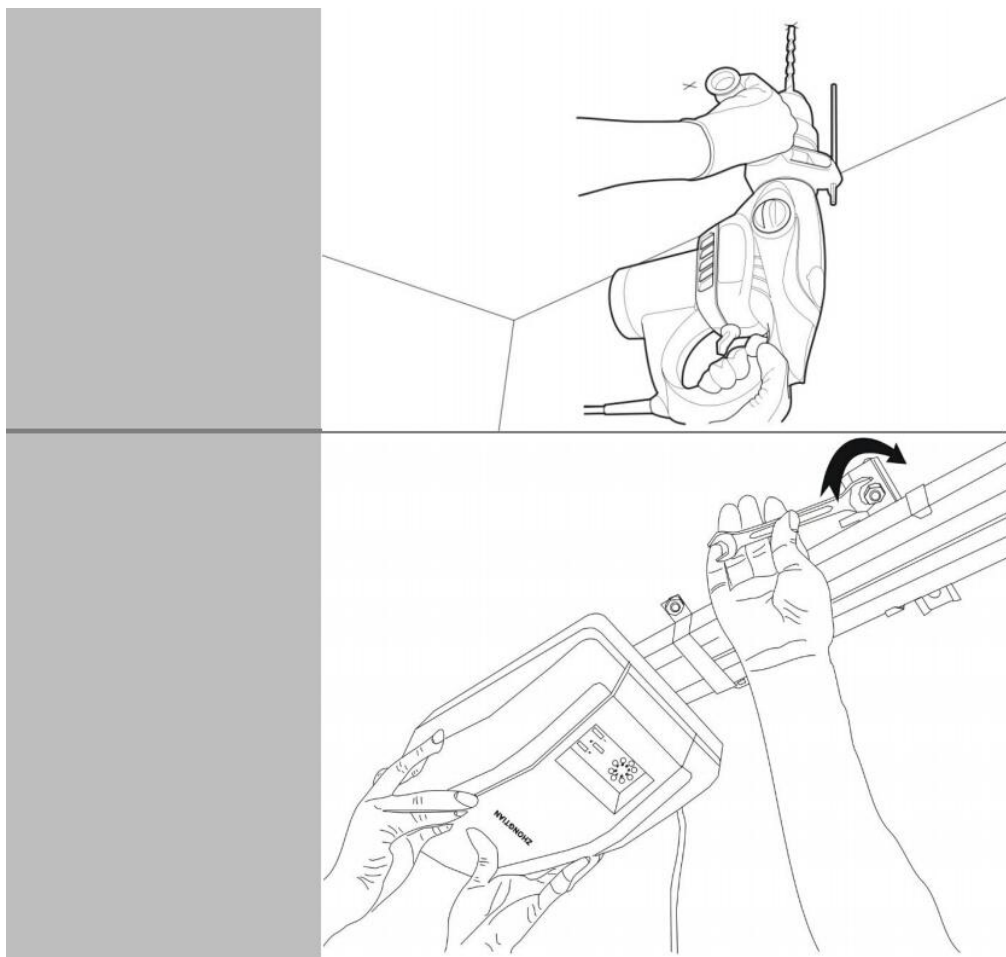


**⚠WARNING:** To avoid possible serious injury from a falling garage door opener, fasten it securely to structural supports of the garage. Concrete anchors must be used if installing any brackets into masonry

*If at the beginning of step2, when you position the rail horizontally, your engine is found stuck to the ceiling, Only “U” bracket(without hole) and below mounting are needed.*



## 6, Installation(Continued)

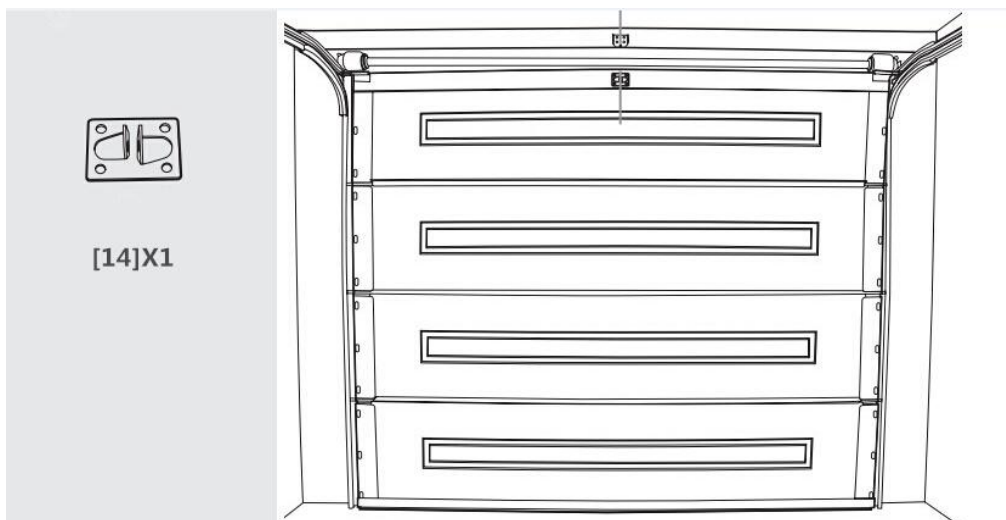


### 6-5, Install the door bracket

**CAUTION:** Fiberglass, aluminum or lightweight steel garage doors will require reinforcement before installation of door bracket. Please contact your door manufacturer for reinforcement kit.

#### OPTION A SECTIONAL DOORS

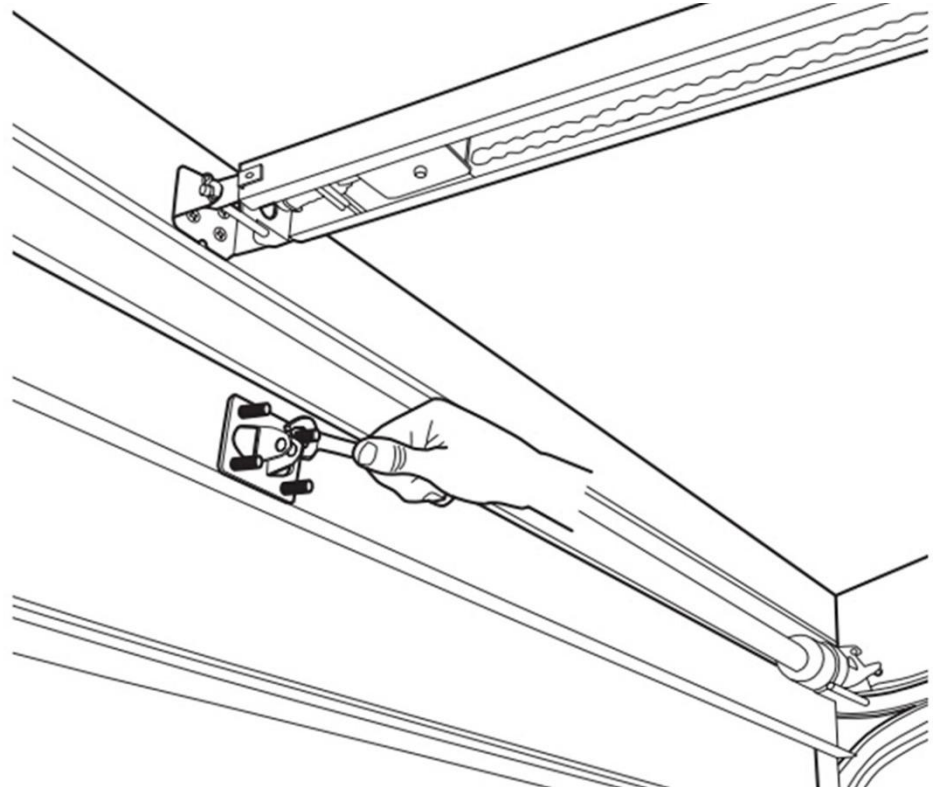
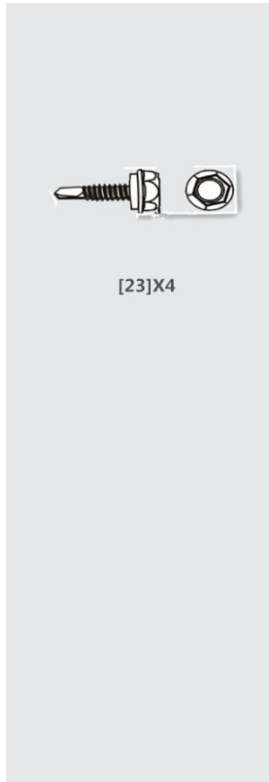
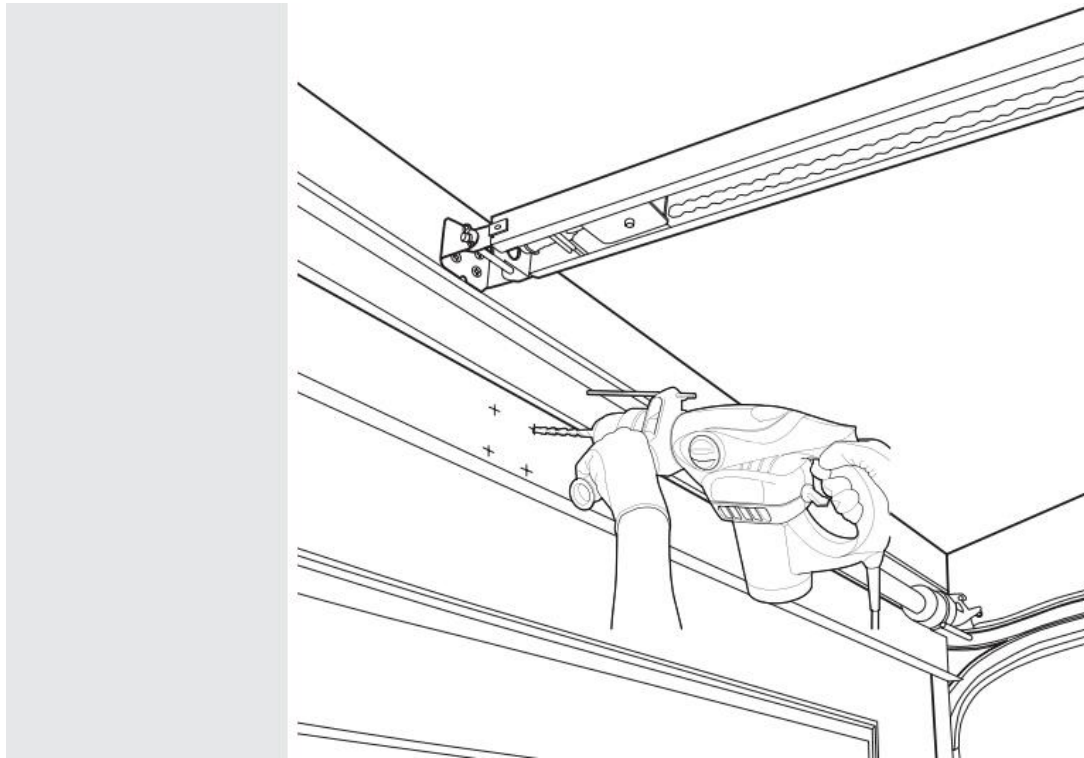
Step1, Center the door bracket on the previously marked vertical centerline used for the header bracket installation. Note correct up placement, as stamped inside the bracket.



## 6, Installation(Continued)

Step2, Position the top edge of the bracket 2"-4"(5-10cm) below the top edge of the door, or directly below any structural support across the top of the door.

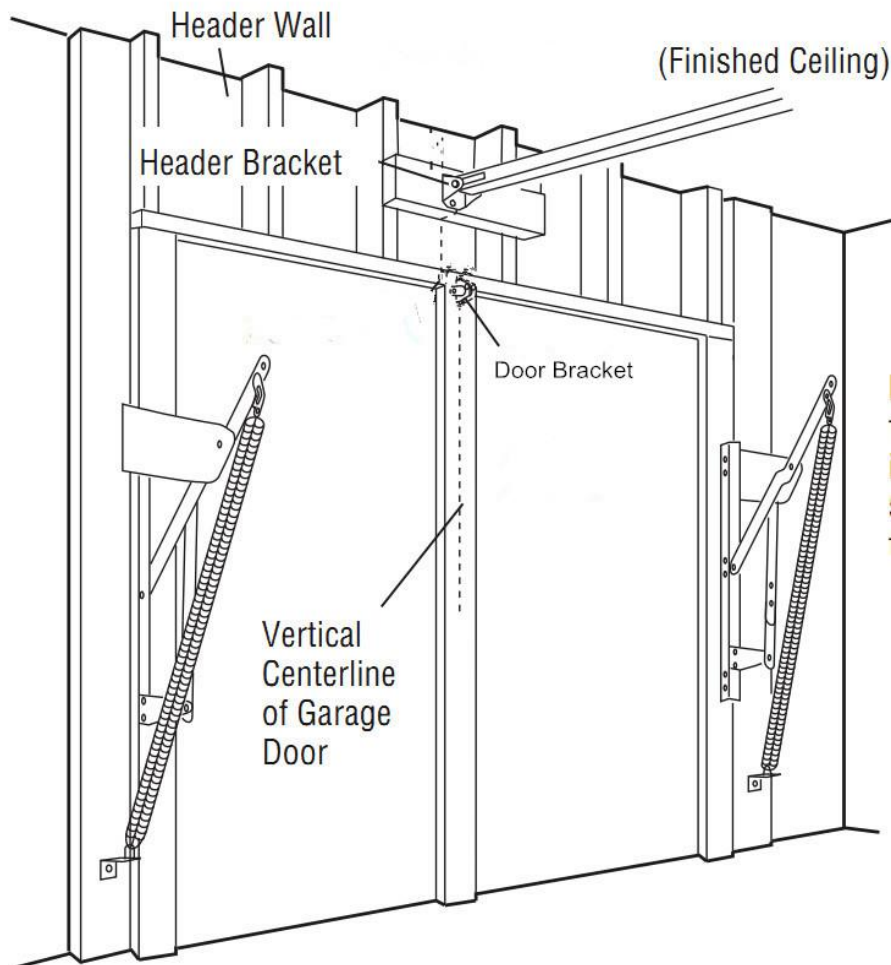
Step3, Mark, drill holes and install as follow



## **6, Installation(Continued)**

### **OPTION B ONE-PIECE DOORS**

Center the door bracket on the top of the door, in line with the header bracket as shown.



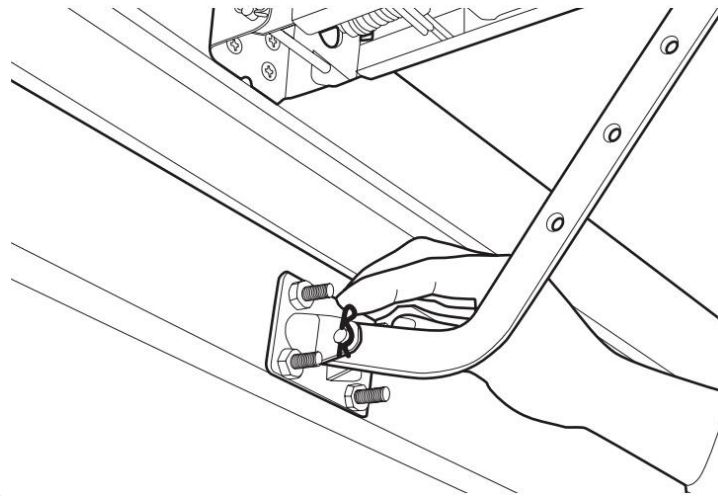
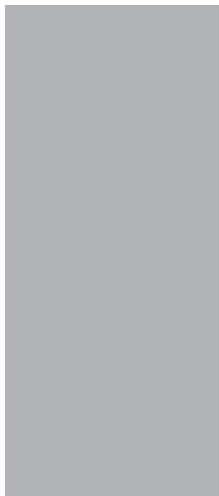
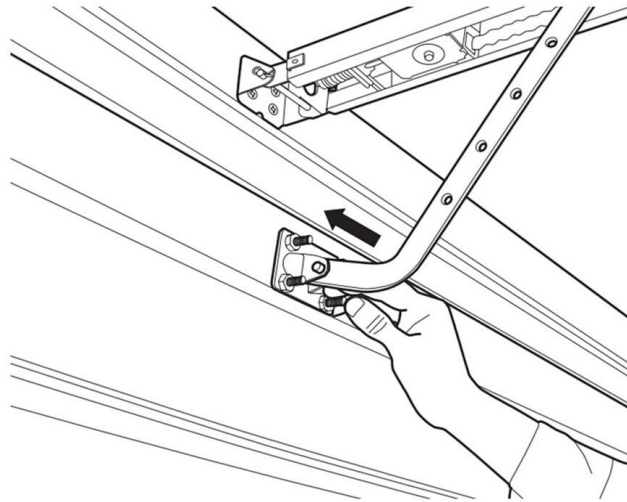
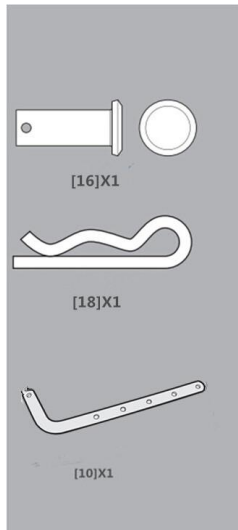
### **6-6, Connect the door arm to the trolley**

Installation will vary according to the garage door type. Follow the instructions which apply to your door.

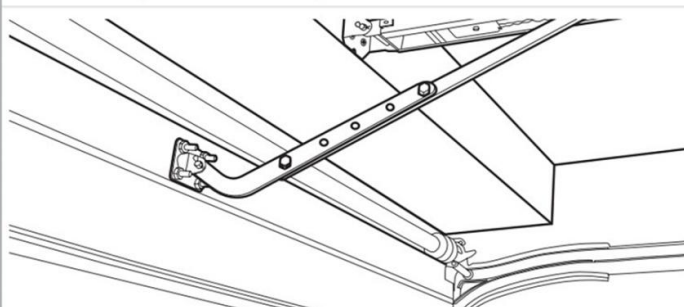
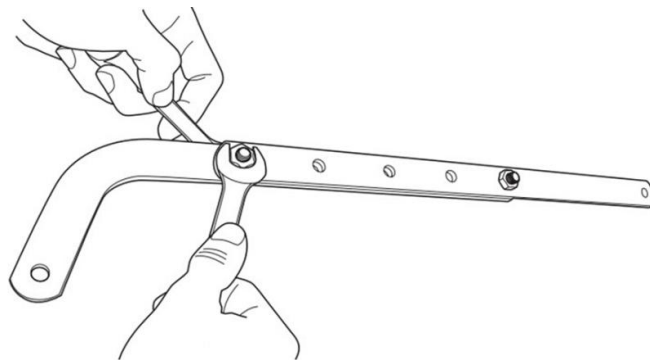
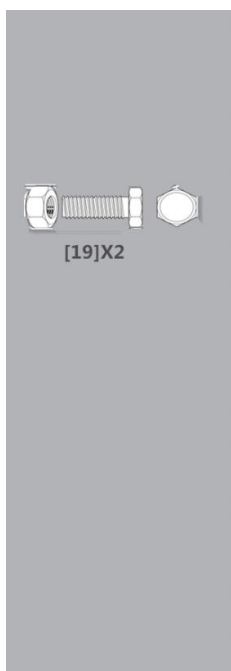
### **OPTION A SECTIONAL DOORS**

Step1, Close the door. Disconnect the trolley by pulling the emergency release handle  
Step2, Attach the curved door arm to the door bracket using the clevis pin. Secure with the R fastener.

## 6, Installation(Continued)

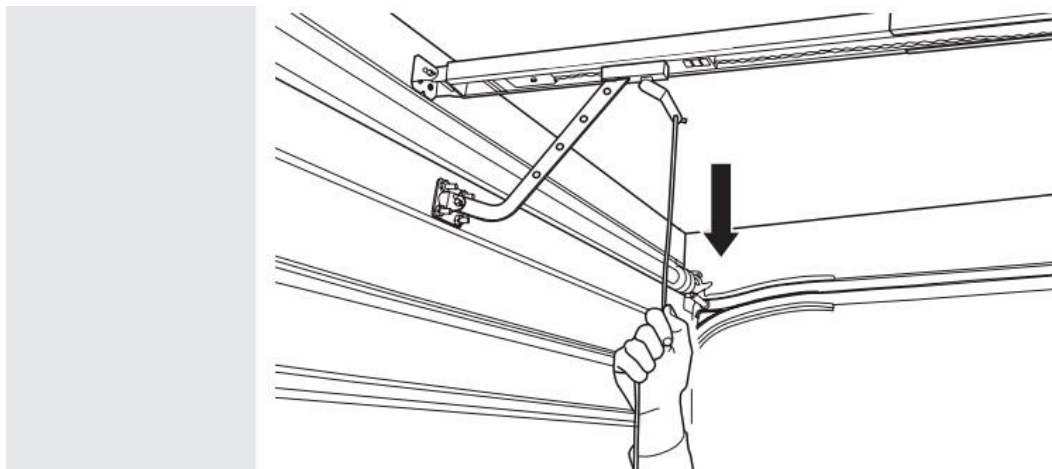


Step3, Bring arm sections together. Find two pairs of holes that line up and join sections. Select holes as far apart as possible to increase door arm rigidity and attach using the bolts, nuts and lock washers.



## 6, Installation(Continued)

Step4, Pull the emergency release handle toward the garage door opener until the trolley release arm is horizontal. The trolley will re-engage automatically when the garage door opener is activated.



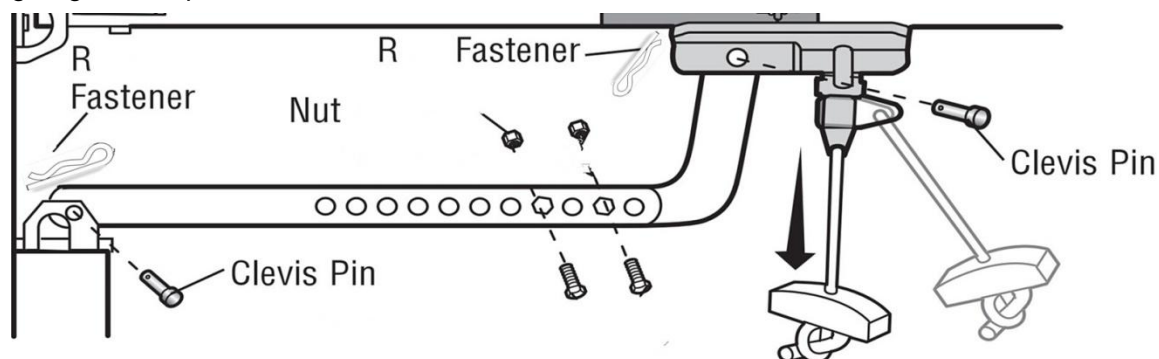
### OPTION B ONE-PIECE DOORS

Step1, Close the door. Disconnect the trolley by pulling the emergency release handle

Step2, Attach the straight door arm to the door bracket using the clevis pin. Secure with the R fastener.

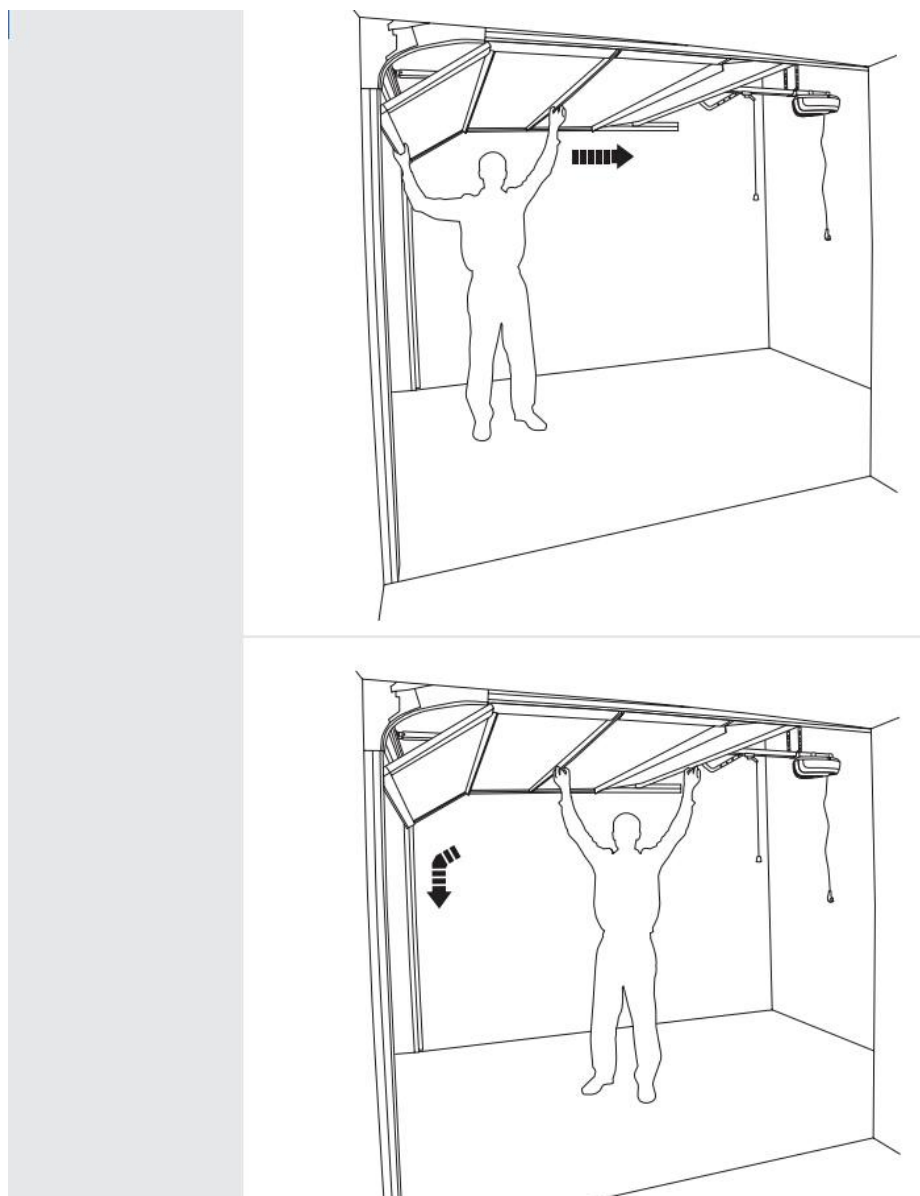
Step3, Attach the curved door arm to the trolley using the clevis pin. Secure with the R fastener.

Step4, Pull the emergency release handle toward the garage door opener until the trolley release arm is horizontal. The trolley will re-engage automatically when the garage door opener is activated



## 6, Installation(Continued)

Manually check that the door opens and closes completely and correctly. Bring the door in the engaged position.



### 6-7, Install the protector system

**⚠WARNING:** Be sure power is NOT connected to the garage door opener BEFORE installing the safety beam.

To prevent SERIOUS INJURY or DEATH from closing garage door:

- Correctly connect and align the safety beam. This required safety device MUST NOT be disabled
- Install the safety beam is NO HIGHER than 6" (15cm) above garage floor.

### IMPORTANT INFORMATION ABOUT THE SAFETY BEAM

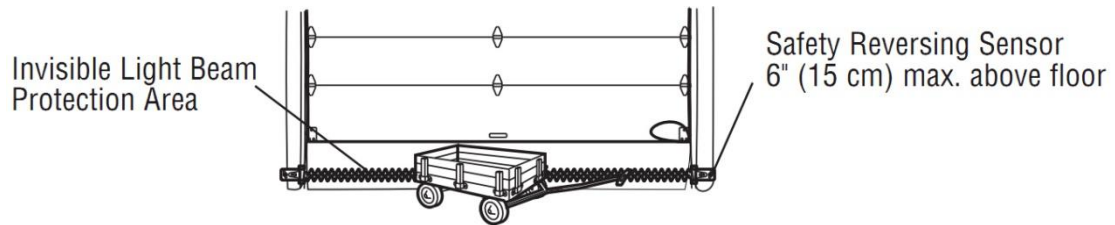
**The safety beam must be connected and aligned correctly before the garage door opener will move in the down direction.**

The sending sensor(with a red LED) transmits an invisible light beam to the receiving sensor( with a green LED). If an obstruction breaks the light beam while the door is closing, the door will stop and reverse to the full open position.

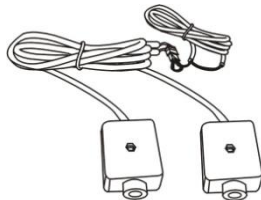
# 6, Installation(Continued)

**NOTE: When installing the safety beam check the following:**

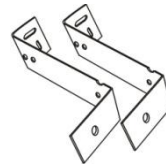
- Sensors are installed inside the garage, one on either side of the door.
- Sensors are facing each other with the lenses aligned and receiving sensor lens does not receive direct sunlight.
- Sensors are no more than 6 inches (15cm) above the floor and the light beam is unobstructed.



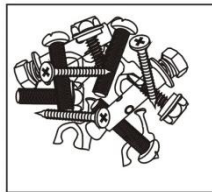
## PARTS INCLUDED



J – motion sensors



K – Sensor Bracket

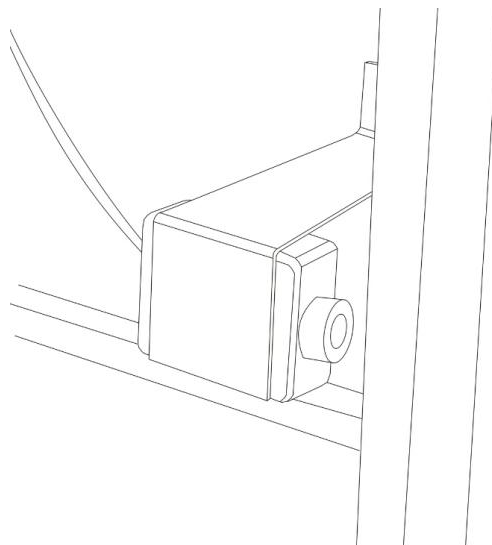


H – Hardware

The safety beam is attached to the door track, the sensors should be no more than 6 inches (15cm) above the floor.

Step1, Install the security motion sensors

Install the sensor brackets(K) on each sides of door, attach security motion sensors(J) with screws, make sure the lenses aligned and receiving sensor lens does not receive direct sunlight.

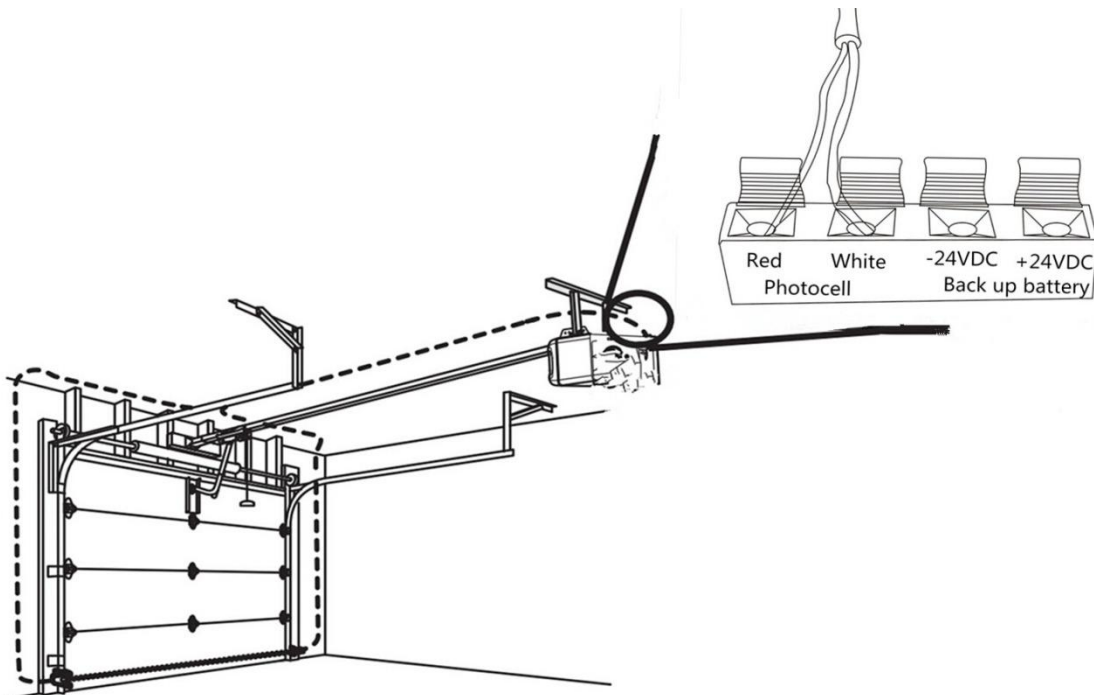
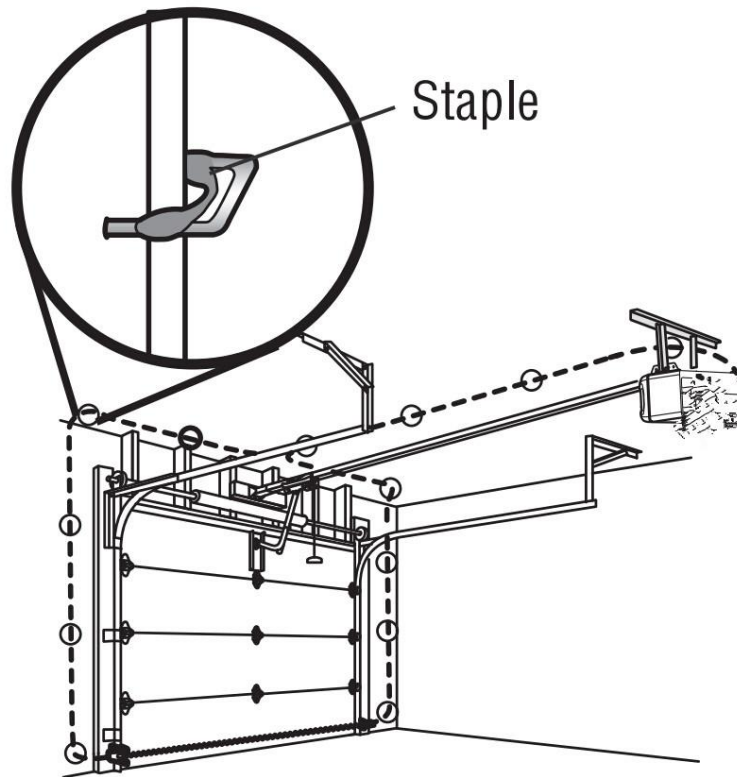




## 6, Installation(Continued)

Step2, Wire the safety beam

- Run the wire from both sensors to the garage door opener. Attach the wire to the wall and ceiling with the staples.
- Separate the wires, plug it with quick plug.



# 7, Adjustments

## 7-1, Introduction

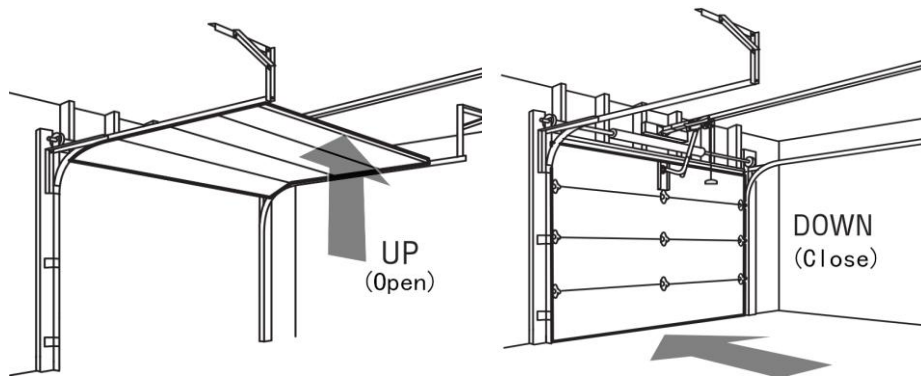
**▲ WARNING :** Without a properly installed safety reversal system, persons (particularly small children) could be seriously injured or killed by a closing garage door.

- Incorrect adjustment of garage door travel limits will interfere with proper operation of safety reversal system.
- After any adjustments are made, the safety reversal system must be tested.
- NEVER let children operate or play with the door controls.
- When possible, use emergency release only when the door is closed.
- Use caution when using this release with the door open. Weak or broken springs are capable of increasing the rate of the door closure and increasing the risk of severe injury or death.
- KEEP DOORS PROPERLY BALANCED. See your garage door Owner's Manual. An improperly balanced door increases the risk of severe injury or death. Have a trained door system technician make repairs to cables, spring assemblies, and other hardware.

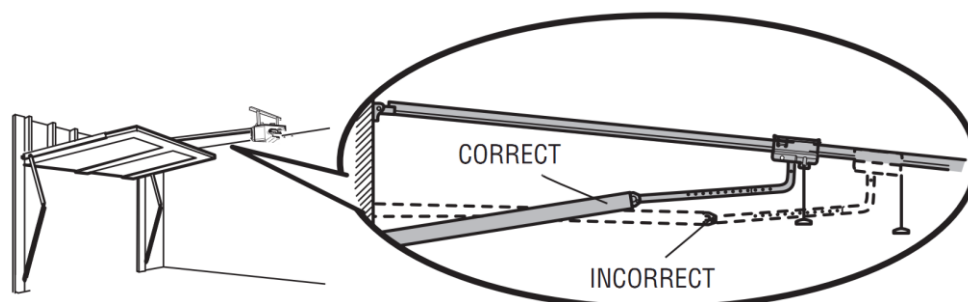
**CAUTION :** To prevent damage to vehicles, be sure fully open door provides adequate clearance.

Your garage door opener is designed with electronic controls to make setup and adjustments easy. The adjustments allow you to program where the door will stop in the open (UP) and close (DOWN) position.

If anything interferes with the door's upward travel it will stop. If anything interferes with the door's downward travel, it will reverse.



**CAUTION:** When setting up the UP travel for a one-piece door ensure that the door does not slant backwards when fully open (UP). If the door is slanted backwards this will cause unnecessary bucking and/or jerking when the door is opening or closing.



# 7, Adjustments(Continued)

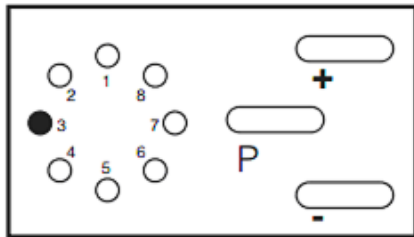
## 7-2, Symbols Introduction



**8 LED lamps and 3 buttons are used for programming:**

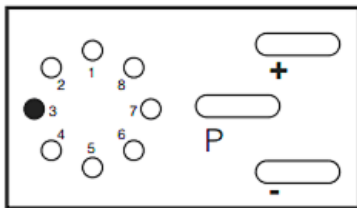
“P” Enters into and selects programming menus.

“+” “-” Multi-function; move door during programming and advance through menus.

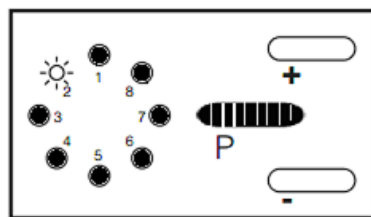


## 7-3, Setting the UP(Open) Travel Limit

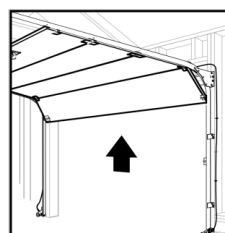
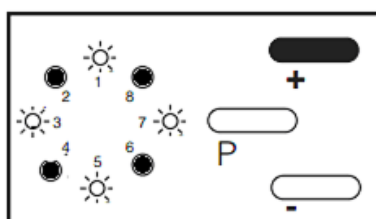
Step1, Plug your plug in, LED3 turns on



Step2, Press and release the "P" button, LED2 will begin flashing.

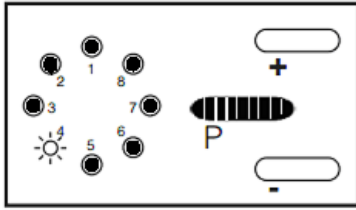


Step3, Press the "+" and hold it to begin opening the garage door. When the garage door is fully opened, release the "+" button. If you have gone too far press and release the "-" to move the door down slightly. You may jog "+" or "-" buttons. Stop the shuttle/carriage short of the opener powerhead. It is important for the red cord to be clear of the powerhead to allow for manual door operation.



# 7, Adjustments(Continued)

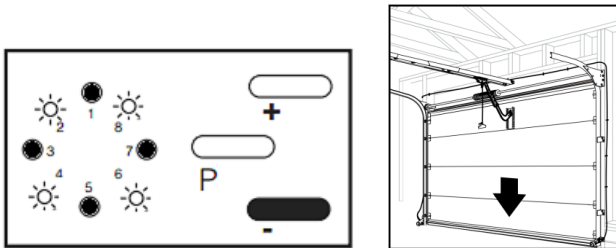
Step4, Press and release the “P” button to save, LED 4 will begin flashing



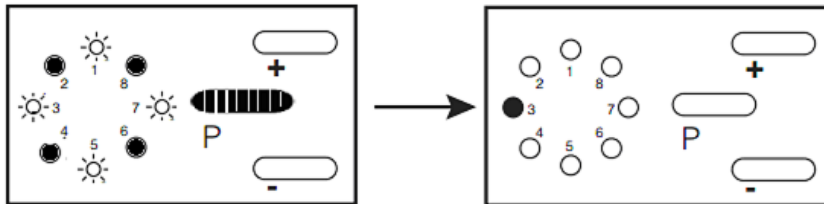
**The UP(Open) Travel limit is now programmed.**

## 7-4, Setting the DOWN(Close) Travel Limit

Step1, LED4 is flashing now, press and hold the “-” to begin closing the garage door. When the garage door is fully closed, release the “-”. If you have gone far press and release the “+” to move the door up slightly. You may jog “+” or “-” buttons. The door should rest tightly on the floor.



Step 2, Press and release the “+” button to save. Meanwhile, the garage door opener will operate one time for testing. And LED3 turns on



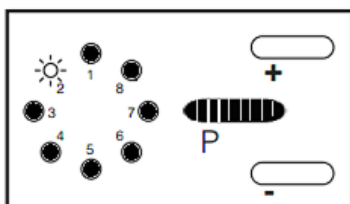
**The DOWN(Closed) Travel limit is now programmed.**

## 7-5, Adjust the Operating Force

**NOTE: Force limit is factory set and rarely require adjustments. Making adjustments to setting please follow below steps**

### 7-5-1, Adjusting the Force of UP(Open)

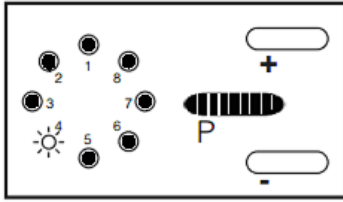
Step1, Press and release the “P” button, LED2 will begin flashing



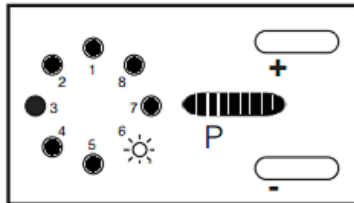
# 7, Adjustments(Continued)

---

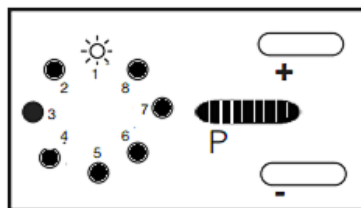
Step2, Press and release the “P” button, LED4 will begin flashing



Step3, Press and release the “P” button, LED6 will begin flashing



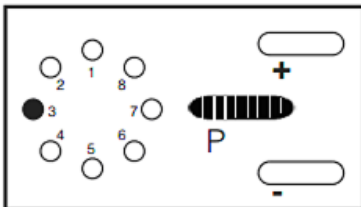
Step4, Press and release “+” (plus) or “-” (minus) button to adjust force of UP(Open), the factory set is fourth gear, the biggest force is eighth gear. And the smallest force is first gear. When you adjust the force to what you want, press and release “P” button to save, LED1 will begin flashing



**Force of UP(Open) is now adjusted.**

## 7-5-2, Adjusting the Force of DOWN(Close)

Step1, LED1 is flashing now, Press and release “+”(plus) or“-”(minus) button to adjust force of DOWN(Close), the factory set is third gear, the biggest force is eighth gear. And the smallest force is first gear. When you adjust the force to what you want, press and release “P” button to save, LED3 turns on



**Force of DOWN(Close) is now adjusted.**

# 7, Adjustments(Continued)

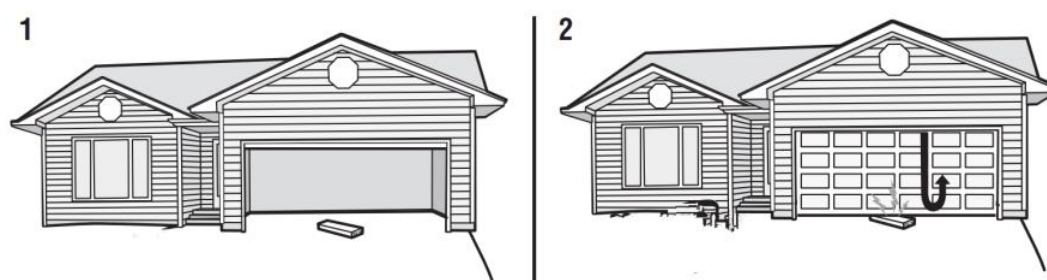
## 7-6, Test the Safety Reversal System

**▲ WARNING:** Without a properly installed safety reversal system, persons(particularly small children) could be seriously injured or killed by a closing garage door:

- Safety reversal system must be tested every month
- After any adjustments are made, the safety reversal system must be tested. Door must reverse on contact with 2”(5cm) high object(or 3X8 laid flat) on the floor.

Step1, With the door fully open, place a 2”(5cm) board (or a 3X8 laid flat) on the floor, centered under the garage door.

Step2, Press the remote control push button to close the door. The door must reverse when it makes contact with board.



If the door stops and does not reverse on the obstruction, the down travel needs to be increased( refer to Adjustment 8-4). Repeat the test. When the door reverse upon contact with the 2” board, remove the board and open/close the door 3 or 4 times to test the adjustment. If the garage door opener continues to fail the safety reversal test, call a trained door systems technician.

## 7-7, Test the Protector System

**▲WARNING:** Without a properly installed safety beam, persons(particularly small children) could be SERIOUSLY INJURED or KILLED by a closing garage door:

- Open the door. Place the garage door opener carton in the path of the door
  - Press the remote control push button to close the door. The door will not move.
- The garage door opener will not close from a remote control if the LED in either safety reversing sensor is off (alerting you to the fact that the sensor is misaligned or obstructed).



# 8, Programming

---

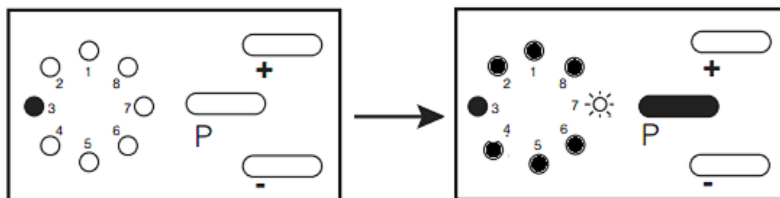
**NOTE: Before you begin programming, check to make sure there are no objects in the garage door opener.**

## 8-1, Programming Remotes and Wireless Wall Mounted Remote(Optional on some models)

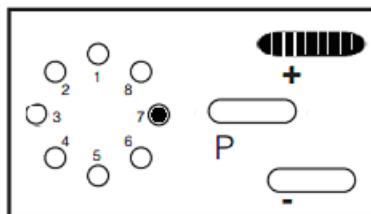
**NOTE: THE REMOTE CONTROLS AND WIRELESS WALL MOUNTED REMOTE INCLUDED WITH THIS OPENER HAVE BEEN PRE-PROGRAMMED AT THE FACTORY.**

The following instructions are for remote control transmitters and wireless wall mounted remote purchased separately in addition to those provided with this opener, but also can be used for remote(s) that require re-programming.

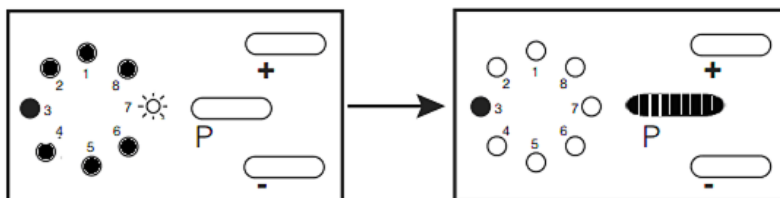
Step1, Press and hold the “P” button, till LED7 starts flash



Step2, Press and release the “+” button, all LEDs turn off except LED7



Step3, Quickly press and release the remote button of your choice two times, all LEDs turn on and LED7 starts flashing, indicating you have successfully programmed your remote. Press and release “P” button to save



To program the same remote for other garage door openers, repeat the steps above using one of the other remaining remote buttons.

**BASIC PROGRAMMING IS COMPLETE AND YOUR GARAGE DOOR OPENER IS READY TO USE.**

## 8, Programming(Continued)

### 8-2, Replacing battery in remote and Wireless Wall Mounted Remote(optional on some models)

**CAUTION:** Incorrect battery replacement can be dangerous . Always replace with the same battery type. Use longlife batteries.

Step1, Slacken screws on rear of remote control/wireless wall mounted remote and remove cover.

Step2, Replace battery.

Step3, Check alignment of poles(+/-) place

Step4, Replace cover and tighten screws.

**NOTE:** *The wireless wall mounted remote is an optional on some models, which is fitted inside the garage or room, so that the door can be opened without the remote controls.*

### 8-3, Programming Wireless Keypad (Optional on some models)

#### 8-3-1, Instruction

- This is a dual channel transmitters that are activated only after having entered a Suitable combination.
- The units are designed for installation in indoor or outdoor locations.
- that ensures the utmost security because the transmitted code is changed at each transmission session.
- The estimated transmission range is 200 m in open space and 35 m indoors
- The units are designed to ensure battery life equivalent to an estimated 2 years of operation considering 10 transmissions/day

Audible signal	Status
1 Short beep	Keypad tone
1 Long beep	Auto power-off
3 Long beeps	Modification of combination confirmed
5 Short beeps	Error during combination input
10 rapid beeps	Battery low

#### 8-3-2, Installation

Before physically installing the unit position it is good practice to perform a practical test to assess their functionality and effective range.

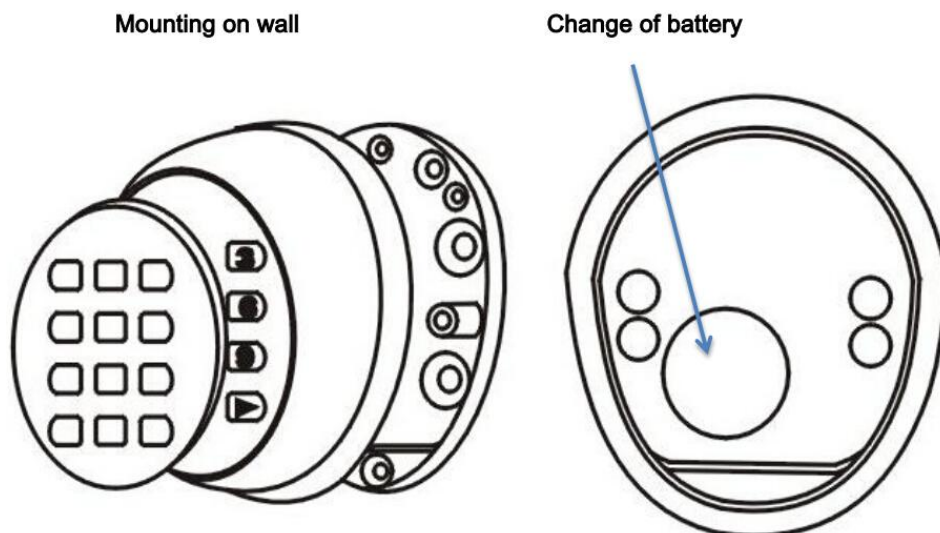
Consider that range may be up to 25 or 30% less when battery power is low.

Apart from the distance from the receiver, the units should not be positioned in the vicinity of or-worse still-in contact with metal structures, which could otherwise exert a signal shielding effect. Thanks to the enclosure protection rating of IP 54, the digital selectors can be installed outdoors if required.



## 8, Programming(Continued)

---



### 8-3-3, Method of use

The use of the keypad is based on "combinations", i.e. numbers of from 1 to 9 digits that the user is required to key in by means of the keys. Once the combination has been Entered the user then presses confirm key ◀ or ▶ to transmit the activation command to, respectively.

- receiver channel 1 if the user presses ◀
- receiver channel 2 if the user presses ▶ .

The command will be transmitted only when a valid combination has been entered - if an incorrect combination has been entered the selector will emit an error, warning signal when the confirm key is pressed . The combination entered must be exact, if, for example ,the correct combination is 0422, the following attempts will be interpreted as errors:422, 10422, 04222. Therefore, if the user inadvertently presses the wrong key when entering a combination, combination key ◀ or ▶ should be pressed immediately to generate the error tone , after which the correct combination can be entered starting from the beginning again.

While entering the combination no more than 6 seconds can be allowed to elapse between keystrokes, after which interval the combination must be re-entered starting from the beginning.

The units are factory programmed with a standard combination to activate channel one and a standard combination for channel two.

The factory set combinations are as follows:

1<sup>a</sup> combination to transmit the code associated with the ◀ key.

When the unit is used for the first time this combination is **11**

2<sup>a</sup> combination to transmit the code associated with the ▶ key.

When the unit is used for the first time this combination is **22**.

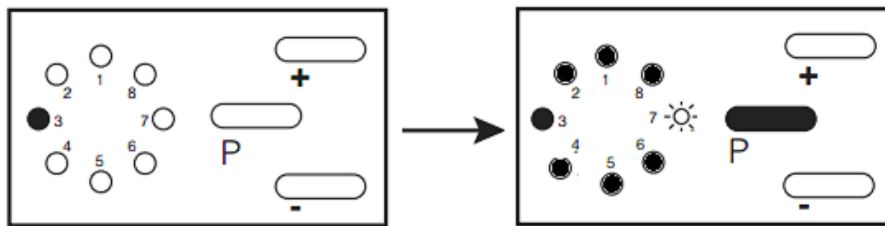
# 8, Programming(Continued)

## 8-3-4, Programming with garage door opener

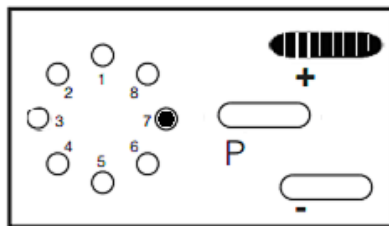
NOTE: THE WIRELESS KEYPAD INCLUDED WITH THIS OPENER HAVE BEEN PRE-PROGRAMMED AT THE FACTORY, FACTORY SET PIN IS “11

The following instructions are for wireless keypad purchased separately in addition to those provided with this opener, but also can be used for wireless keypad that require re-programming.

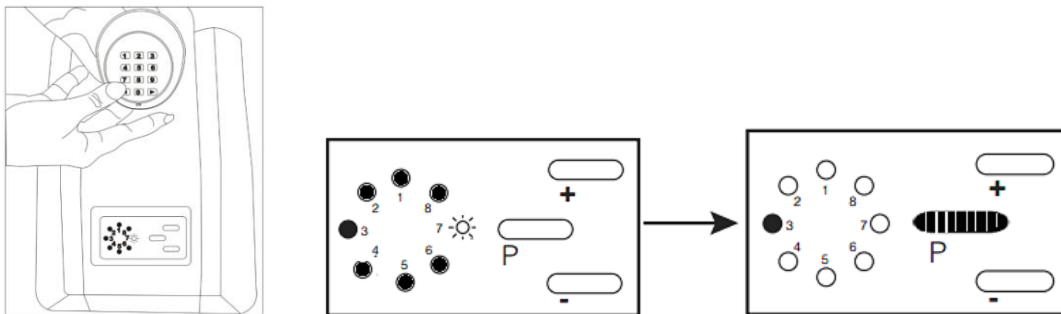
Step1, Press and hold the “P” button, till LED7 starts flash



Step2, Press and release the “+” button, all LEDs turn off except LED7



Step3, Quickly press and release the “11” and back button, press and release the “11” and back button, all LEDs turn on and LED7 starts flashing, indicating you have successfully programmed your wireless keypad. Press and release “P” button to save



**The process of programming one keypad to one opener is complete.**

## 8, Programming(Continued)

---

### 8-3-5, Changing a Combination

#### **A changing the combination associated with channel 1 Example**

This function allows you to change the combination associated with channel 1 ◀

- 1.Press the "0" key and hold it down while pressing and releasing ◀ 0 ◀
- 2.Release the "0"key .
- 3.Type in the current (original) combination and press ◀ 11 ◀
- 4.Type in the new combination (up to 8 digits ) and press ◀ 070576 ◀
- 5.Type in the new combination again and press ◀ 070576 ◀

#### **B changing the combination associated with channel 2 Example**

This function allows you to change the combination associated with channel 2 ▶

- 1.Press the "0" key and hold it down while pressing and releasing ▶ 0 ▶
- 2.Release the "0"key .
- 3.Type in the current (original) combination and press ▶ 22 ▶
- 4.Type in the new combination (up to 8 digits ) and press ▶ 89739536 ▶
- 5.Type in the new combination again and press ▶ 89739536 ▶

#### **NOTE:**

- If the two combinations you have entered are identical, once you have entered the combination you can press either ◀ or ▶ .
- If combinations are set without entering any number, the security system is effectively overridden and the command can be transmitted simply by pressing ◀ or ▶ without having to first enter a combination.

### 8-3-6, Normal Use

#### **Normal use for activation of channel 1**

#### **Example**

- 1.Type in the combination associated with channel 1 070576 ◀
- 2.Press ◀

#### **Normal use for activation of channel 2**

#### **Example**

- 1.Type in the combination associated with channel 2 89739536 ▶
- 2.Press ▶

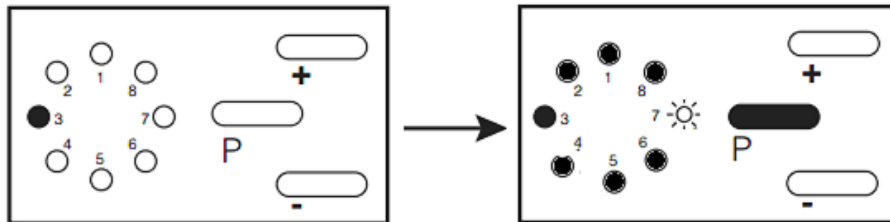
# 9, Clearing Remotes

**CAUTION:** Clearing memory for remotes from the powerhead will clear ALL programmed remotes, wireless wall mounted remotes and wireless keypads. Your opener will no longer recognize any signal from any remote device, including missing remote device.

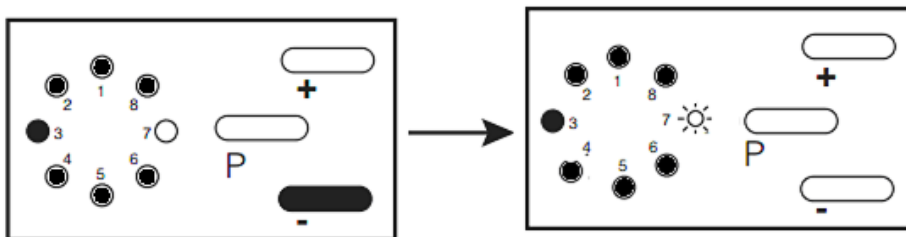
ALL remaining( or recovered) remotes, wireless wall mounted remotes and wireless keypads MUST be reprogrammed.

## CLEARING MEMORY FOR REMOTES

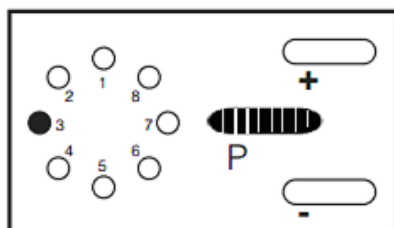
Step1, Press and hold the “P” button till all LEDs turn on and LED7 starts flashing



Step2, Press and hold the “-” button till LED7 turns off and starts flashing again, indicating clear remotes successfully.



Step3, Press and release the “P” button to save.



To verify that the memory is cleared, press the remote key that was previously programmed to the opener. If the memory has been cleared the opener will NOT run.

# 10, Trolley User Manual

---

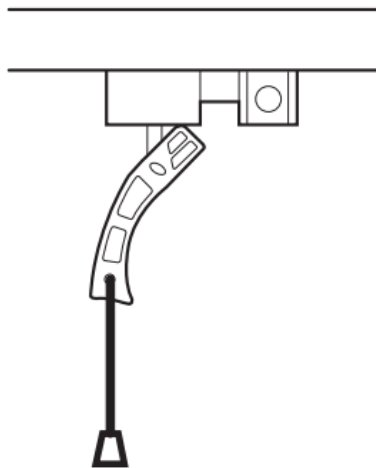
**▲ WARNING:** To prevent possible **SERIOUS INJURY** or **DEATH** from falling garage door:

- If possible, use emergency release handle to disengage trolley **ONLY** when garage door is **CLOSED**. Weak or broken springs or unbalanced door could result in an open door falling rapidly and/or unexpectedly.
- **NEVER** use emergency release handle unless garage doorway is clear of persons and obstructions.
- **NEVER** use handle to pull door open or closed. If rope becomes untied, you could fall.

## DISCOUNNECT THE TROLLEY

1, The door should be fully closed if possible.

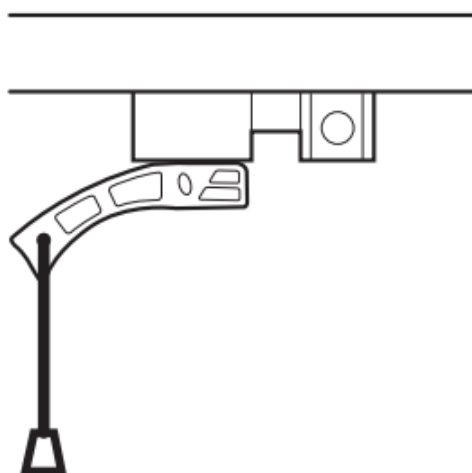
2, Pull down on the emergency release handle so the trolley release arm snaps to the vertical position. The door can now be raised and lowered as often as necessary.



## RECONNTECT THE TROLLEY

1, Pull the emergency release handle toward the garage door opener so the trolley release arm snaps to the horizontal position .

The trolley will reconnect on the next UP or DOWN operation, either manually or by using the door control or remote control.



# 11, Troubleshooting

Symptom	Possible cause	Solution
The automatic system begins to work, but stops immediately.	The garage door is locked.	Unlock the gate and try again.
	The mechanism was not properly installed	Rule assembly according to the instructions in this manual.
	The power is not properly regulated.	Adjust the power according the instructions in this manual.
The automated system will not work, and moreover it is not light.	The operation times are not set correctly.	Adjust the time according to the instructions in this manual.
	The springs are worn or too tight. The automatic system cannot move the gate.	Replace old and worn feathers.
	The automatic system is not connected to the electricity.	Connect to an socket with 220V
	The socket is not powered.	Check the board with fuses.
The automatic system opens and /or closes the gate not completely.	The port is blocked by an obstacle.	Remove the obstacle.
	The opening and closing times are not properly regulated.	Adjust the time according to the instructions in this manual.
	The engine power is not properly regulated.	Adjust the power according to the instructions of this manual.
The remote does not work.	The battery is empty.	Replace the battery according to the instructions of this manual.
	The remote is not installed yet.	Programming the remote control according to the instructions of this manual.
	All codes are erased from the automated system.	The remote control should be re-programmed according to the instructions
The automated system works, but the door does not open.	The motor is disconnected.	Put the disconnection lever of the trolley back into the horizontal position.
	The chain is not properly tightened.	Adjust the tension according to the instructions in this manual.

# 12, Warranty

---

## **ONE YEAR LIMITED WARRANTY 2 YEAR MOTOR LIMITED WARRANTY MODEL ZTGD800 AND ZTGD1000**

We warrant to the first retail purchaser of this products, for the residence in which this product is originally installed, that is free from defects in material for a period of one year from the date of purchase, except that the motor which is warranted to be free from defects in material for a period of 2 years. The proper operation of this product is dependent on your compliance with the instructions regarding assembly, installation, and adjustments and testing. Failure to comply strictly with those instructions will void this limited warranty in its entirety.

### **ZTGD800 and ZTGD1000**

**MOTOR-** Seller warrants the motor for a period of TEN(2)YEAR

**CHAIN-** Seller warrants the chain for a period of TWO(2) YEARS

**BELT-** Seller warrants the belt for a period of TWO(2) YEARS

**Parts-** Seller warrants the parts for a period of TWO(2) YEARS

**Accessories-** Seller warrants all accessories included with product for a period of ONE(1) YEAR.

Seller's obligation under this warranty is specifically limited to repairing or replacing, at its option, the product or any part thereof which is determined by seller to be defective during the applicable warranty period. Any labor charges are excluded and will be the sole responsibility of the purchaser

This warranty gives you specific legal rights, and you may also have other rights which vary from state to state, This warranty is made to the original purchaser of the product only, and is not transferable or assignable. This warranty applies only to product installed in a residential or other non-commercial application. It does not cover any product installed in commercial or industrial building applications. This warranty does not apply to any unauthorized or improper installation, alteration or repair of the products. Or to any product or component which has been damaged or deteriorated due to misuse, abuse, neglect, accident, failure to provide necessary maintenance, normal wear and tear, or acts of God or any other cause beyond the reasonable control of Seller, and does not cover batteries, light bulbs, missing or damaged parts from clearance or open box sales, or maintenance to garage doors or door components.

ALL EXPRESS AND IMPLIED WARRANTIES FOR THE PRODUCTS, INCLUDING BUT NOT LIMITED TO ANY IMPLIED WARRANTIES OF MERCHANTABILITY AND FITNESS FOR A PARTICULAR PURPOSE, ARE LIMITED IN TIME TO THE APPLICABLE WARRANTY PERIOD REFLECTED ABOVE. NO WARRANTIES, WHETHER EXPRESS OR IMPLIED, WILL APPLY

AFTER THE LIMITED WARRANTY PERIOD HAS EXPIRED Some states do not allow limitations on how long an implied warranty lasts, so the above limitation may not apply to you.

Claims under this warranty must be made promptly after discovery and within the applicable warranty period. Purchaser must allow Seller a reasonable opportunity to examine the product prior to removal or alteration of its condition(excluding any troubleshooting measures requested by Seller). Upon determination by Seller that the product or any part thereof is defective during the applicable warranty period. Seller will supply the purchaser with replacement parts or, at its option, a replacement products. Seller may use new or reconditioned parts, or a new or reconditioned product of the same or similar design.

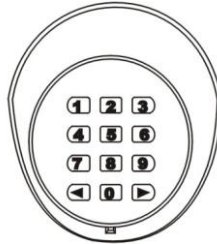
# 13, Accessories and Repair Parts

## Accessories

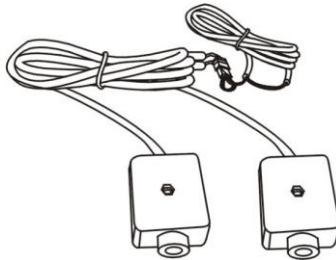
**ZT-07 Keychain Remote Control:** Can work with ALL openers. With key ring.



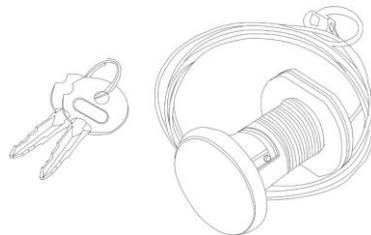
**ZTCL Wireless Keypad(Optional):** For use outside of the home to enable access to the garage. Can work with ALL openers.



**ZTPC Safety Beam(Optional):** To prevent SERIOUS INJURY or DEATH from closing garage door. Can work with ALL openers.



**ZTEL Emergency Lock(Optional):** For opening door from outside of garage when power off. Can work with ALL openers.




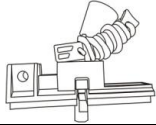
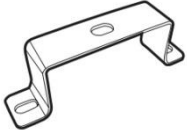
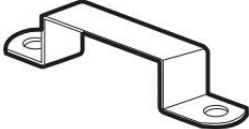

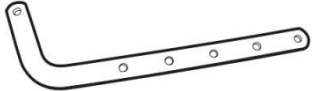
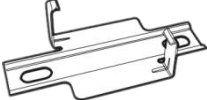
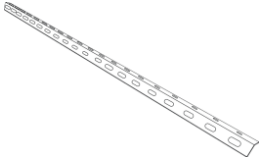


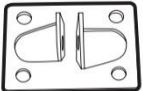


**ZTWR Wireless Wall remote control(Optional):** For use inside of the garage or/and room to enable access to the garage. Can work with ALL openers.





## 13, Accessories and Repair Parts(Continued)

### Repair Parts

Description	photo	Part Number
Chain/Belt		[30]
Trolley Assembly		[7]
"U" Bracket ( with hole)		[6]
"U" Bracket (without hole)		[5]
Straight Door Arm		[15]
Curved Door Arm		[10]
Mounting Bracket		[13]
Angle iron		[12]
Angle iron		[32]
Door Bracket		[11]
Header Bracket		[14]
Clevis Pin		[16]
"R" Fastener		[18]

