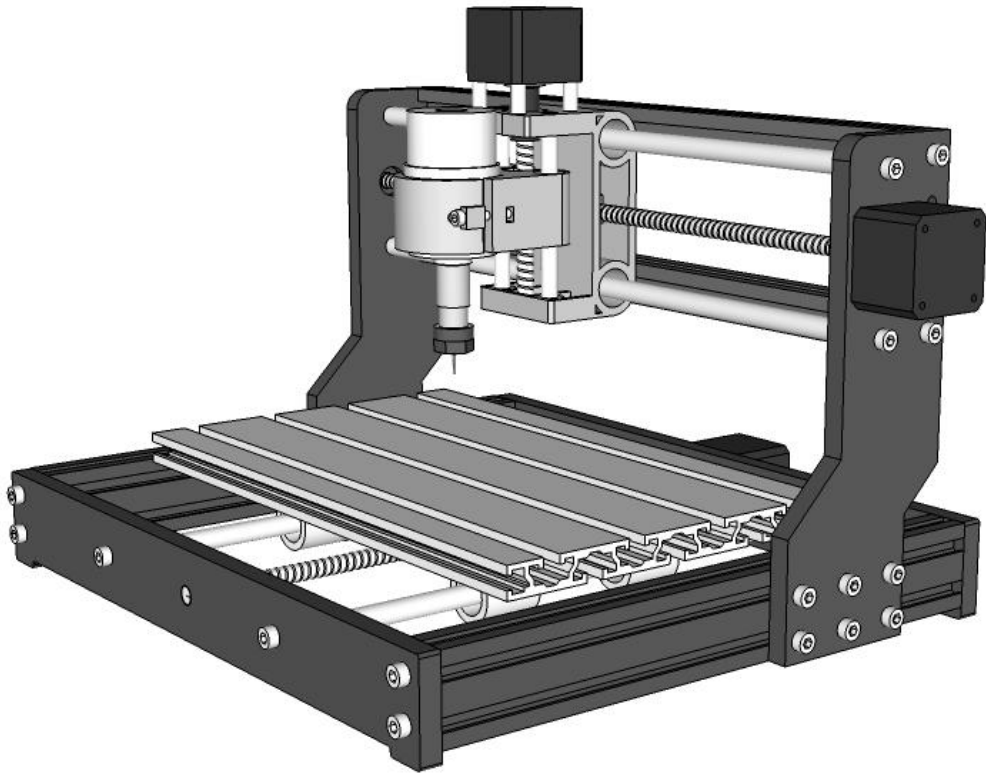
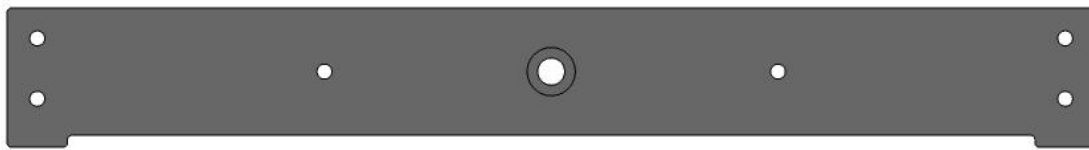


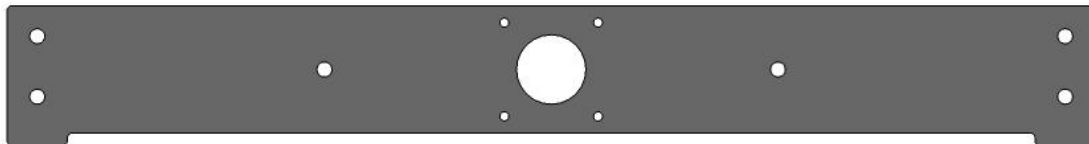
CNC-3018Pro



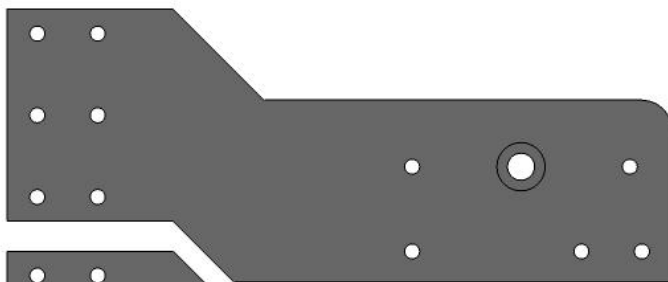
Bakelite :



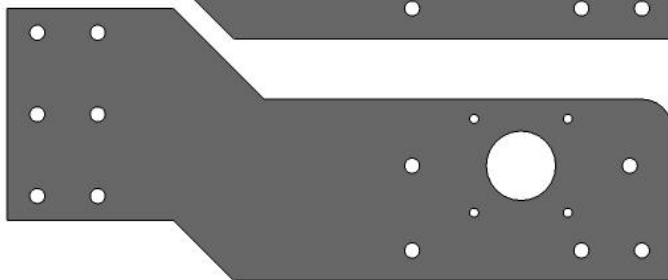
Bakelite-A



Bakelite-B




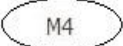

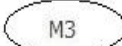

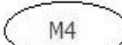
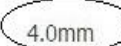
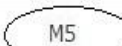


Bakelite-C



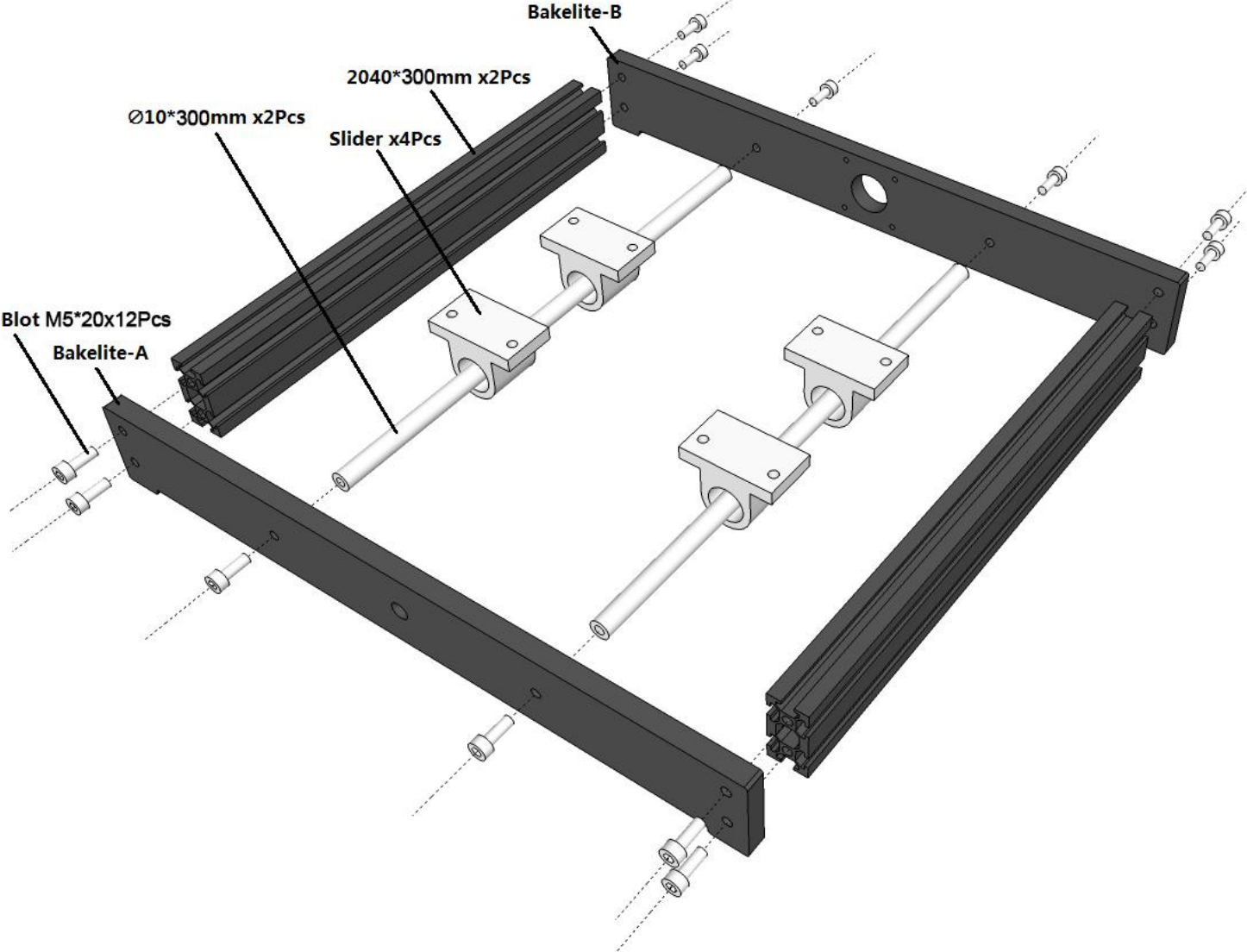
Bakelite-D

Tool :

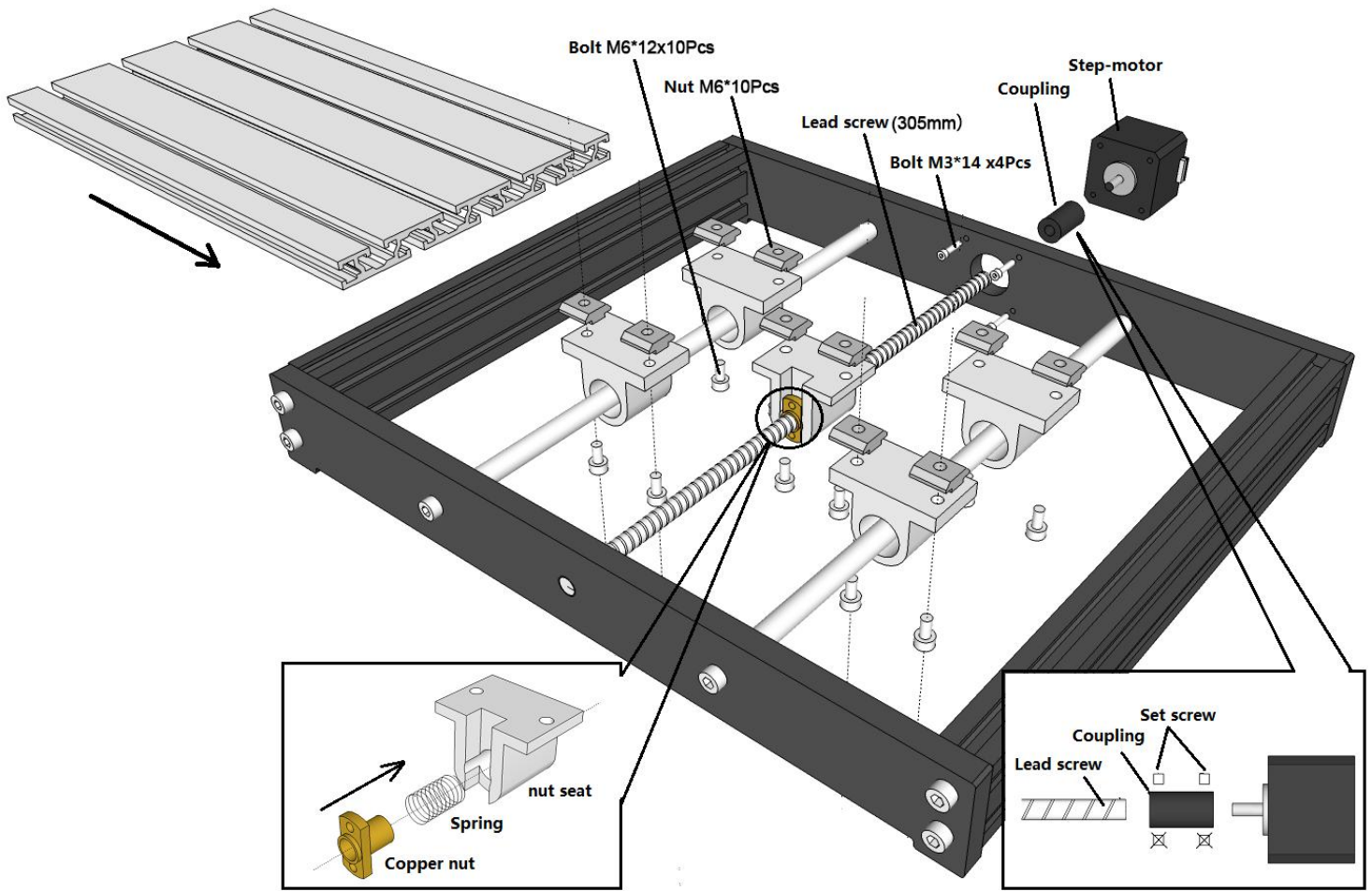
	"  " = Used	
	Bolt	Set screw
1.5mm	M1.6 M2	M3
	M2.5	
		M5
		M6 W1/4
		M8 W5/16
5.0mm	M6 W1/4	M10 W3/8



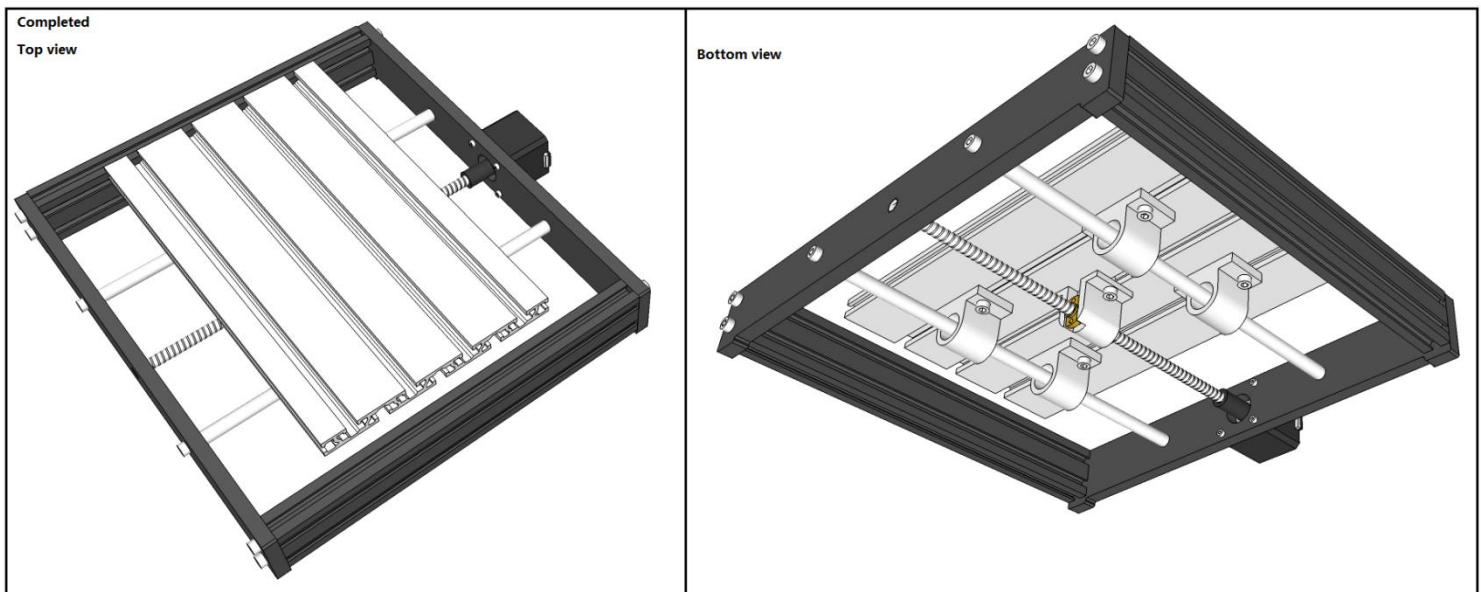
STEP1. Base Assemble



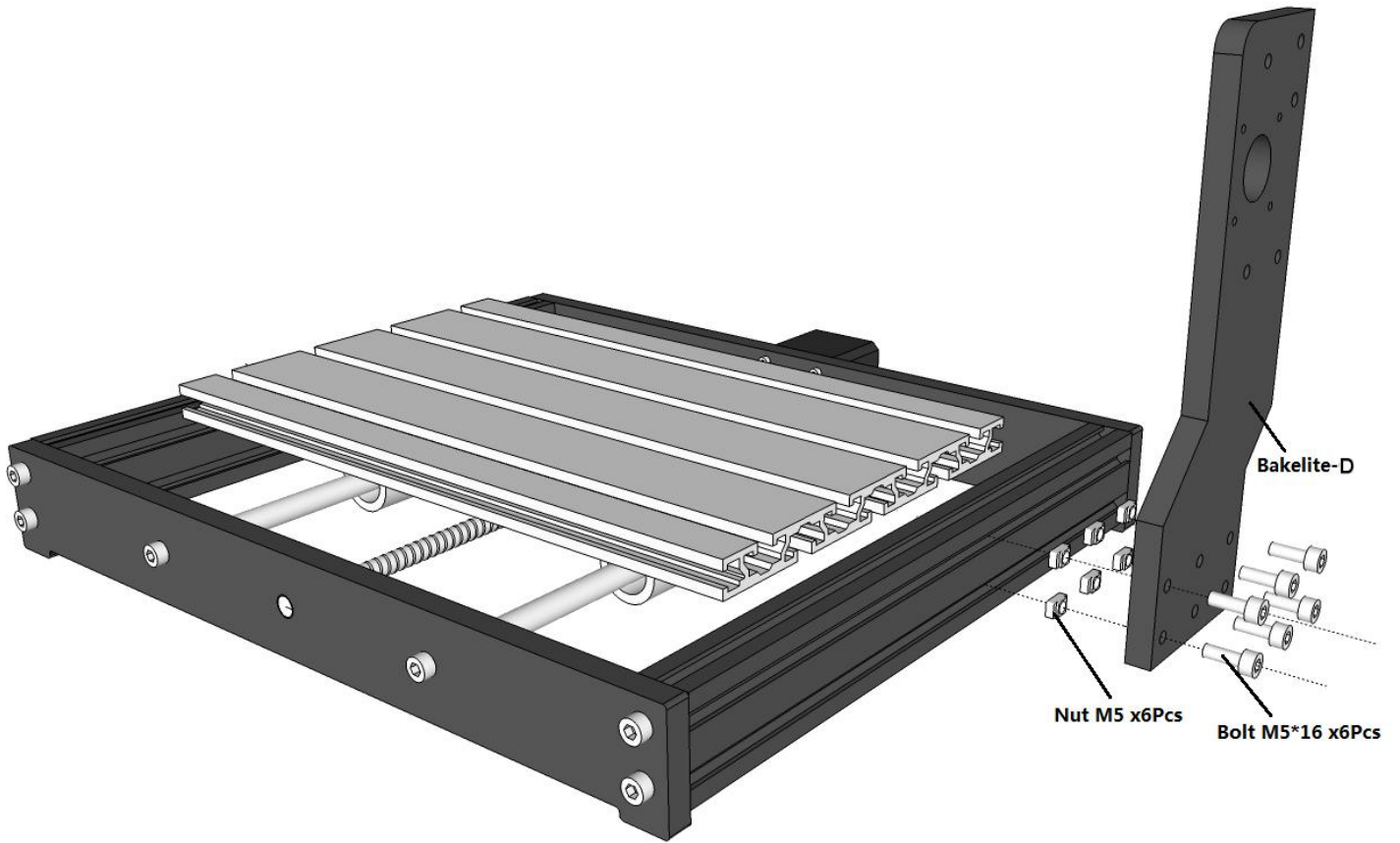
Step2. Table Assemble



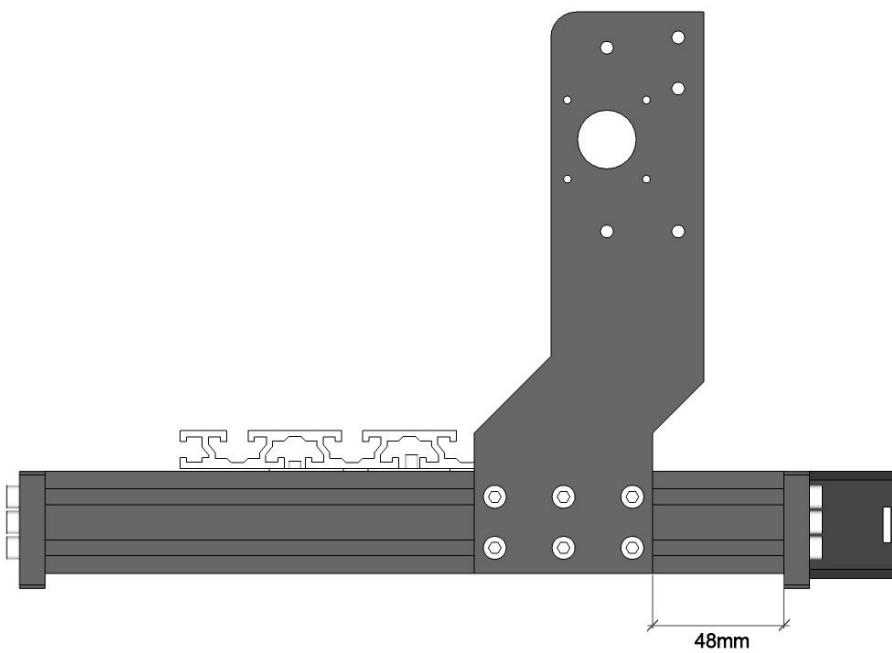
Completed:



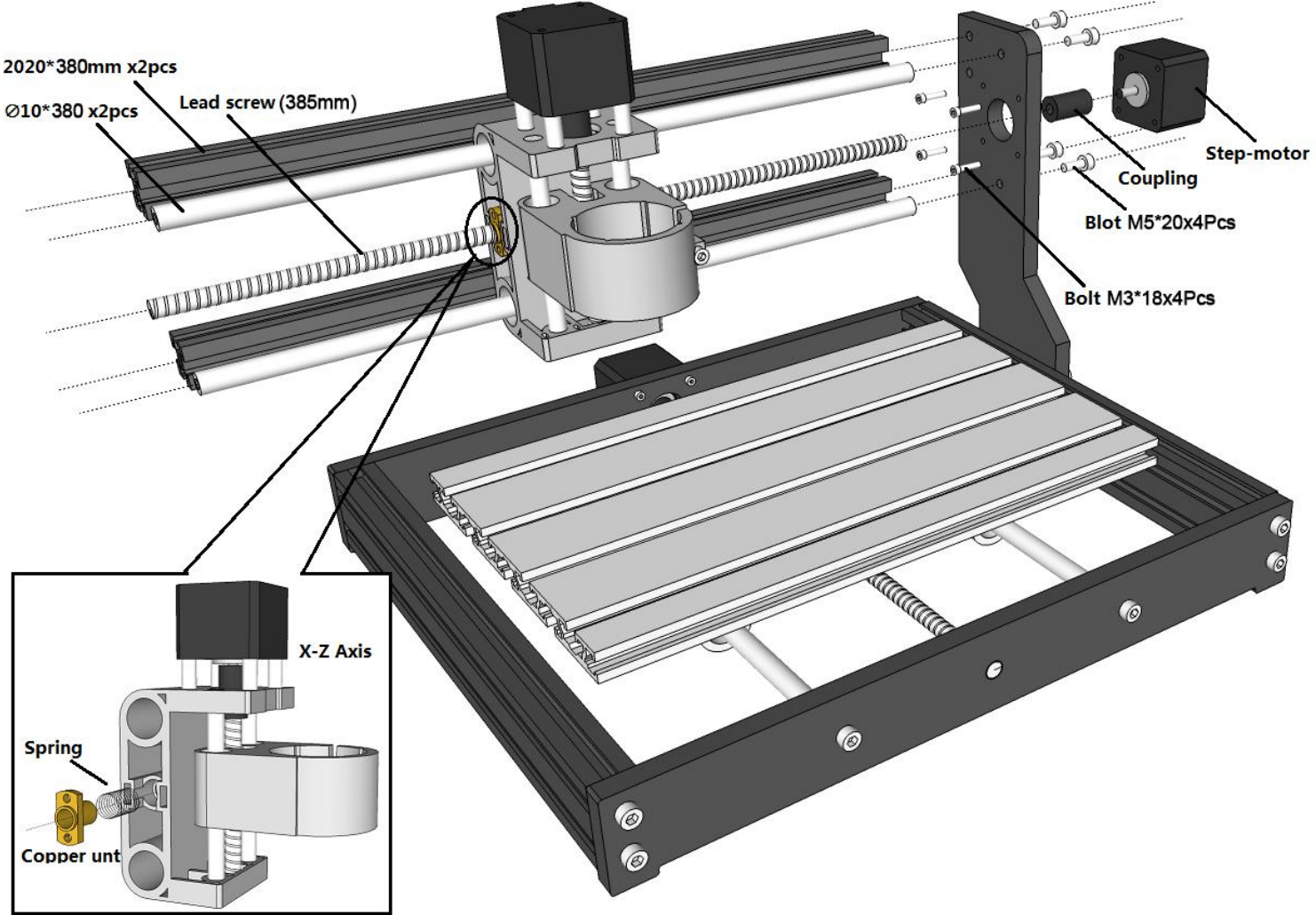
Step3. Base & Bakelite-D



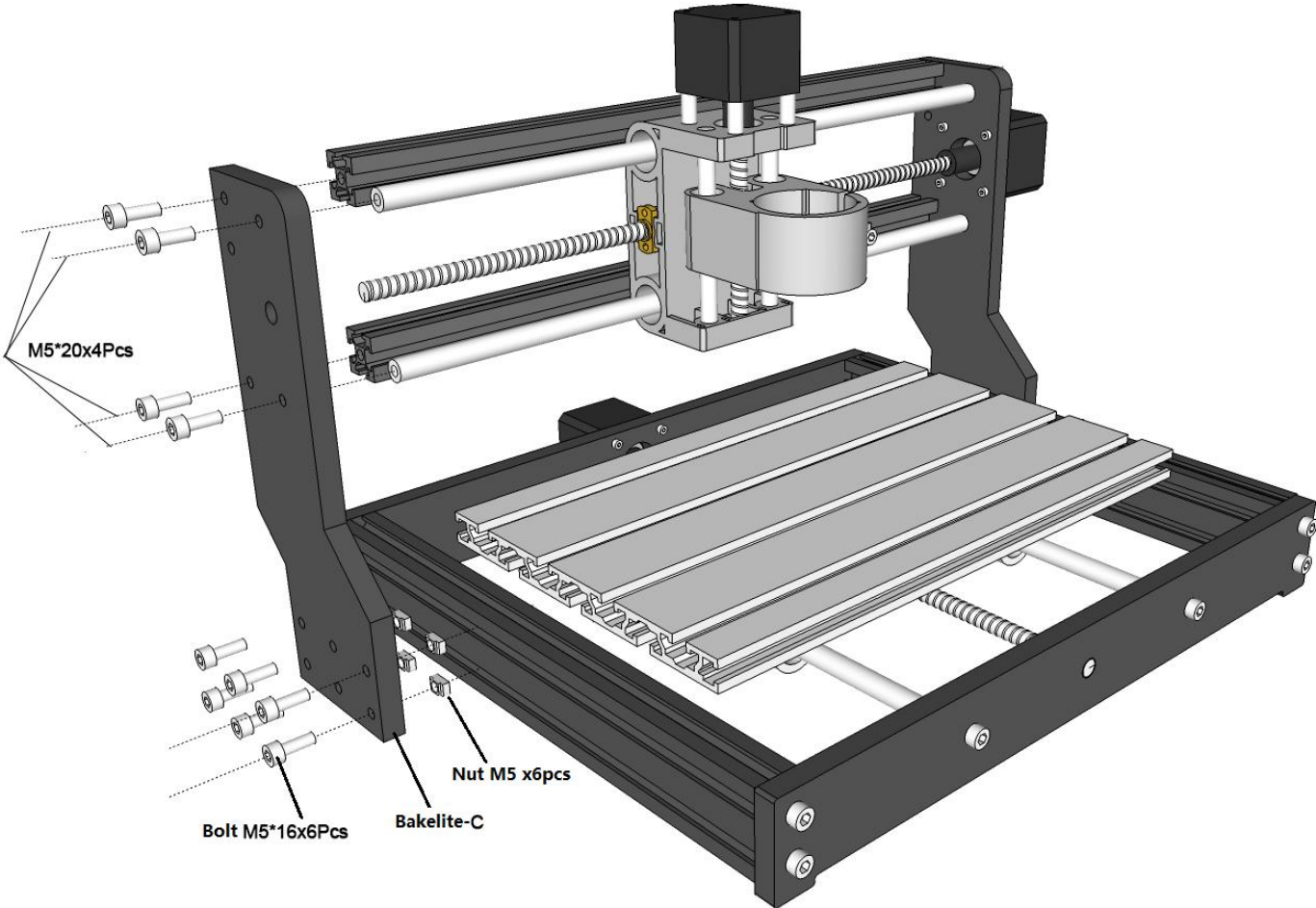
Completed & Ubiety:



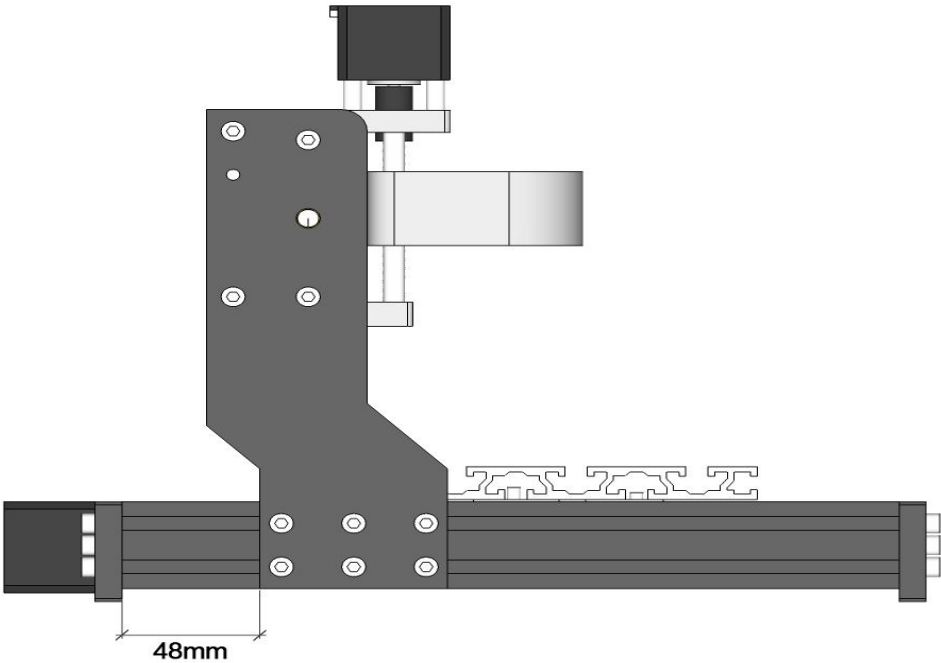
Step4. X-Zaxis



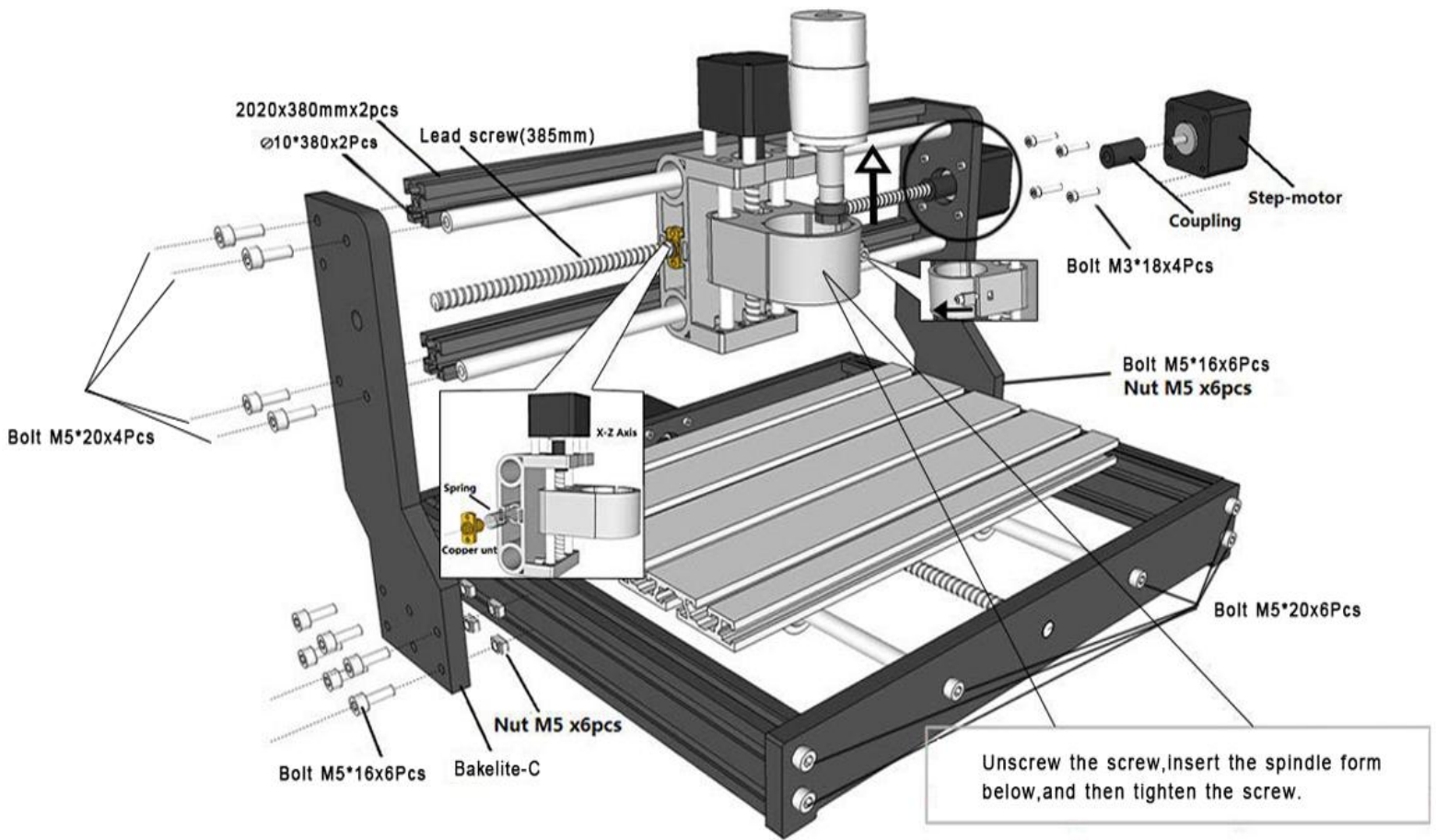
Step5. Bakelite-C



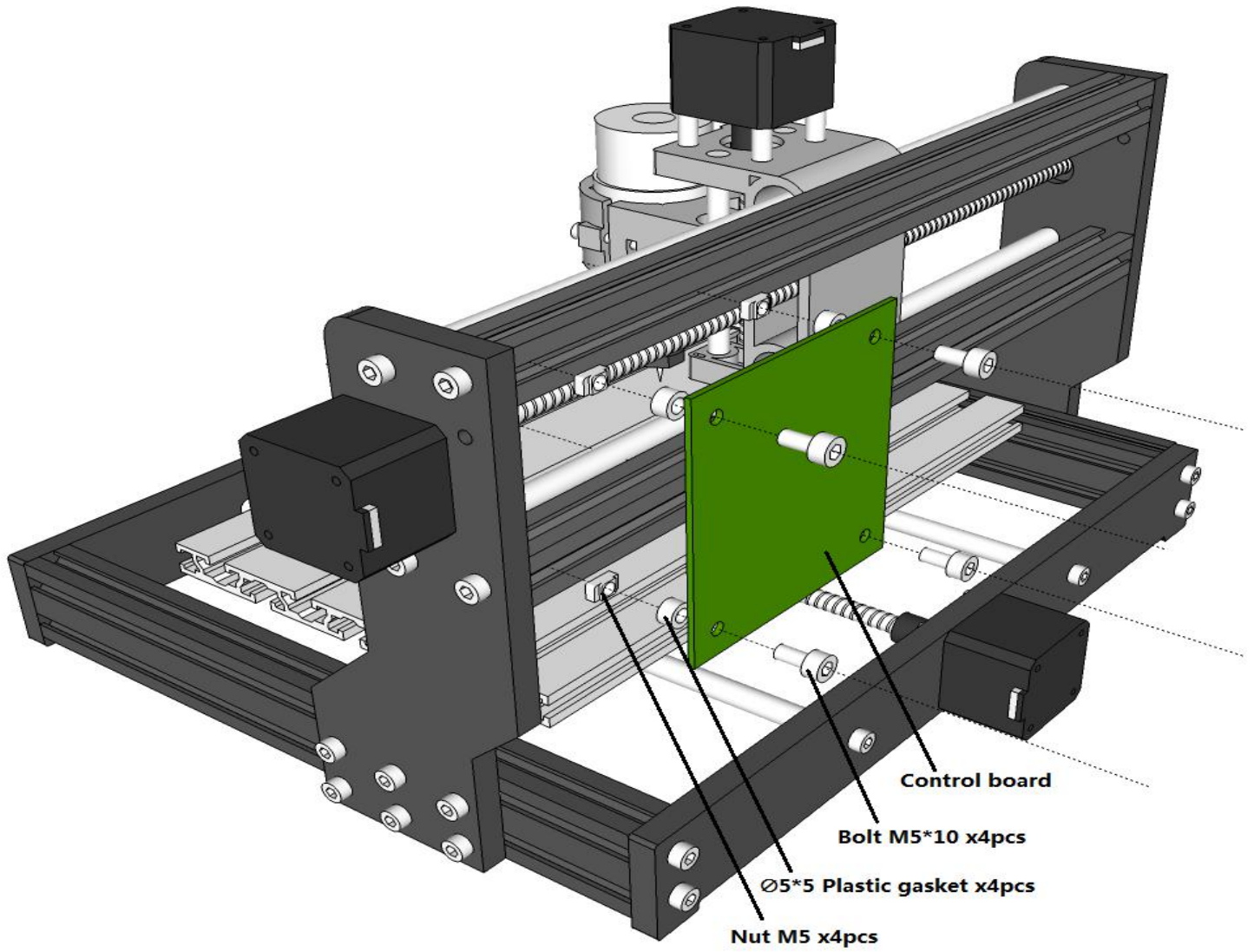
Completed & Ubiety:



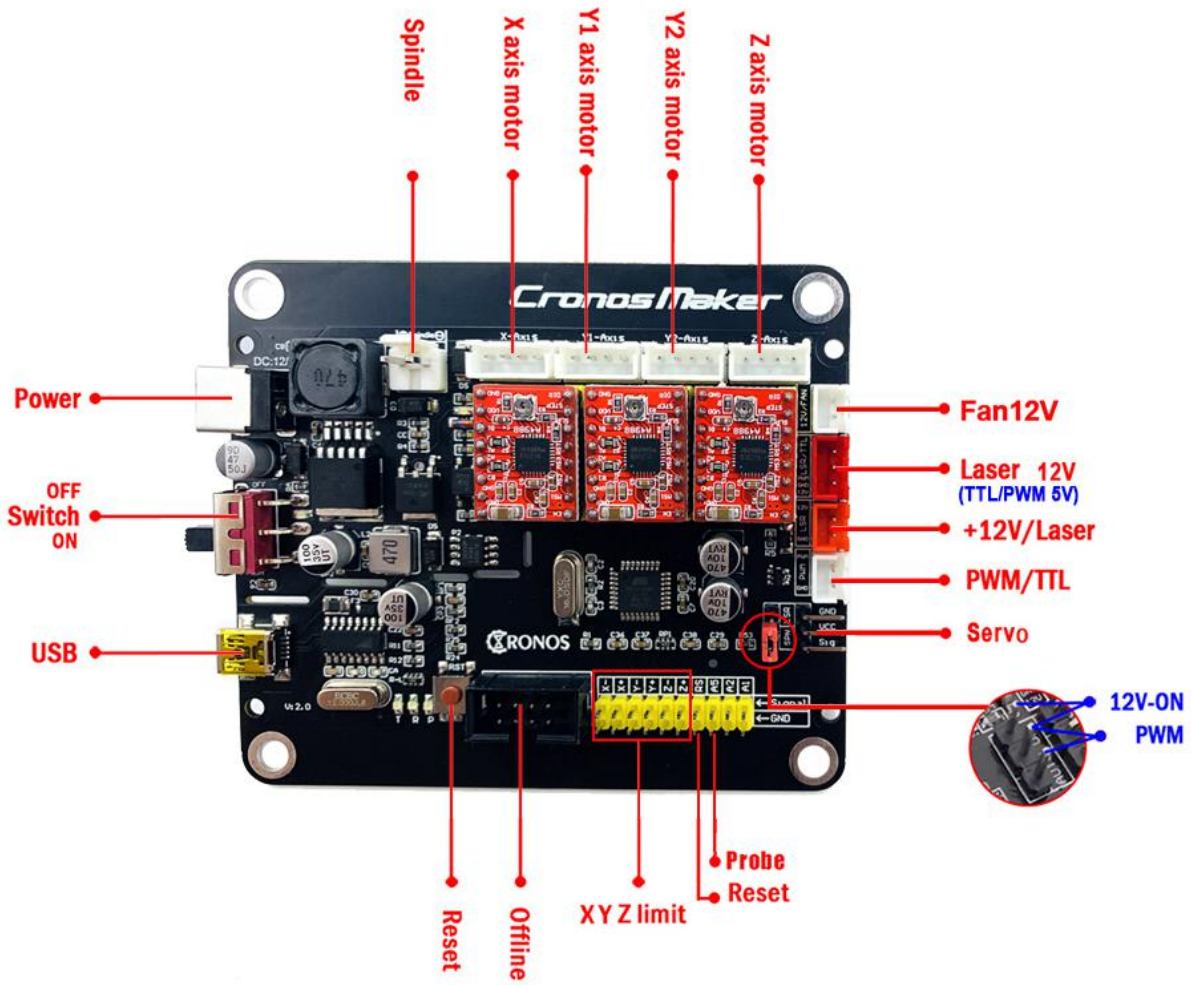
Step6. Spindle



Step7. Control board



Control board port introduction



Connect Laser module

