

VEVOR[®]

TOUGH TOOLS, HALF PRICE

Technical Support and E-Warranty Certificate www.vevor.com/support

CHILDREN'S SLIDE

MODEL:FE-HT-DBS01

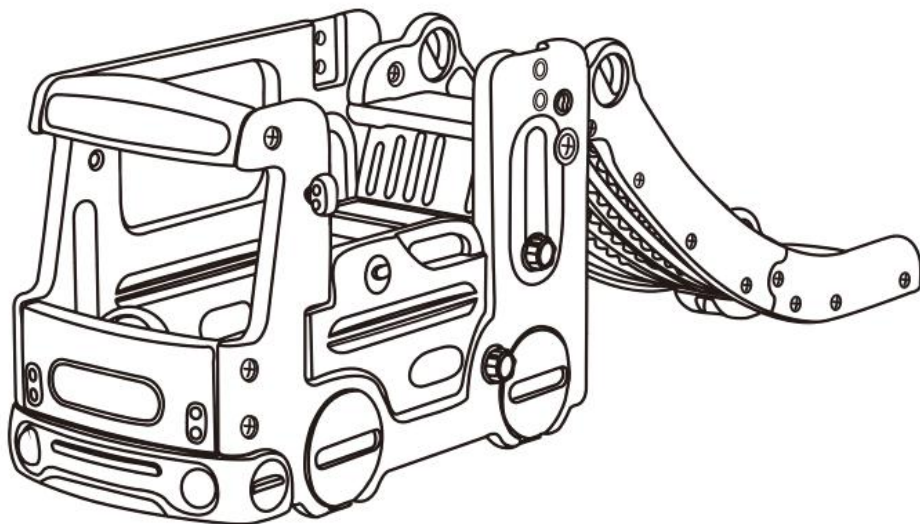
We continue to be committed to provide you tools with competitive price.

"Save Half", "Half Price" or any other similar expressions used by us only represents an estimate of savings you might benefit from buying certain tools with us compared to the major top brands and does not necessarily mean to cover all categories of tools offered by us. You are kindly reminded to verify carefully when you are placing an order with us if you are actually saving half in comparison with the top major brands.

VEVOR[®]

TOUGH TOOLS, HALF PRICE

MODEL:FE-HT-DBS01



NEED HELP? CONTACT US!

Have product questions? Need technical support? Please feel free to contact us:

Technical Support and E-Warranty Certificate
www.vevor.com/support

This is the original instruction, please read all manual instructions carefully before operating. VEVOR reserves a clear interpretation of our user manual. The appearance of the product shall be subject to the product you received. Please forgive us that we won't inform you again if there are any technology or software updates on our product.

SAFETY INSTRUCTIONS

WARNING:

Read this material before using this product. Failure to do so can result in serious injury.



WARNING:

ADULT ASSEMBLY REQUIRED.

- Keep these instructions for future reference.
- To prevent serious injury, children must not use the equipment until properly installed.
- Falls onto hard surfaces can result in head or other serious injuries. Never place on concrete, asphalt, wood, packed earth, grass or other hard surfaces. Carpet over hard floors may not prevent injury. Always use protective surfacing on the ground under and surrounding the playground equipment according to the enclosed "Consumer Information Sheet for Playground Surfacing Materials." Maximum fall height protection up to 2 feet (0.6 m) required.
- Adult supervision required. Do not leave children unattended.
- Shoes must be worn at all times.
- This product is intended for indoor/outdoor domestic family use only.
- Observing the following statements and warnings reduces the likelihood of serious or fatal injury.
- Place this product on level ground and at least 6'6" (2 m) away from any object. Objects to be avoided include, but are not limited to, fences, buildings, overhead branches, laundry lines or electrical wires.
- It is recommended that the orientation of the assembled product be such that direct sunlight is minimized on surfaces intended for standing or sitting.
- Instruct children on proper use of this product, only after properly placed, and not in a manner other than intended.
- Do not allow children to climb on product when product is wet.

- Instruct children not to attach items to the product that are not specifically designed for use with the product such as, but not limited to, jump ropes, clotheslines, pet leashes, cables and chains, as they may cause a strangulation hazard.
- Instruct children to remove their bike or other sports helmet before playing on this product.
- Dress children appropriately: do not allow children to wear loose-fitting clothing including ponchos, scarves and garments with drawstrings. Well-fitting shoes must be worn at all times.
- Warning. Only for domestic use.

MAINTENANCE



WARNING:

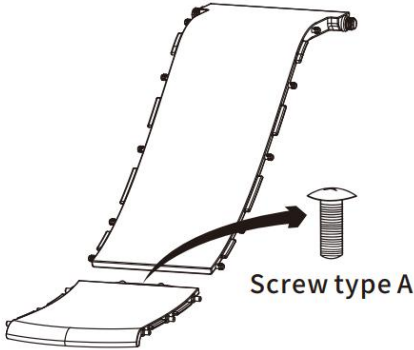
Failure to perform periodic checks could cause this product to overturn or cause a fall.

The following checks should be performed at the beginning and end of each season and twice monthly during the usage period:

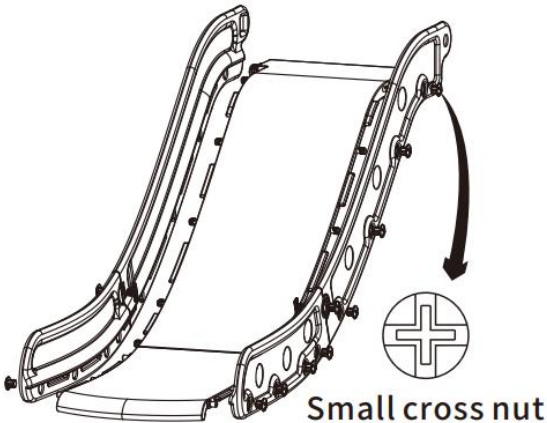
- Reinstall any plastic parts, such as swing seats or any other items that were removed for the cold season.
- Tighten all hardware.
- Lubricate all metallic moving parts at the beginning of the play season and twice per month during the play season.
- Check all protective coverings on bolts, pipes, edges, and corners. Replace if they are loose, cracked, or missing.
- Check all moving parts including swing seats, ropes, cables, and chains for wear, rust, or other deterioration. Replace if any of these conditions exist.
- Check metal parts for rust. If found, sand and repaint using a nonlead-based paint meeting the requirements of 16 CFR 1303.
- Rake and check depth of loose fill protective surfacing materials to prevent compaction and to maintain appropriate depth. Replace as necessary.
- Take this product indoors or do not use when temperatures fall below 0°F/-18°C.

DISPOSAL

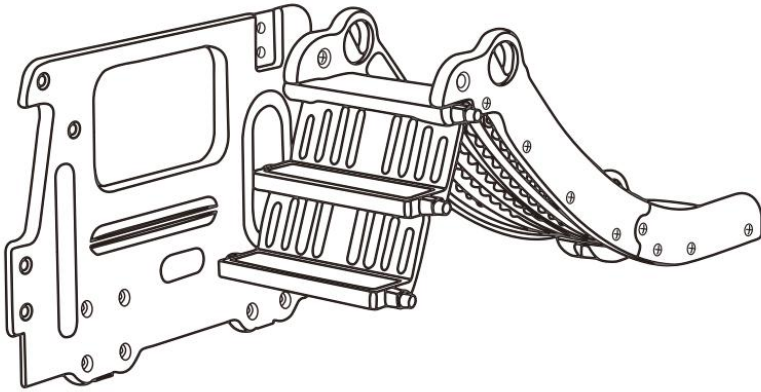
- Disassemble and dispose of equipment in such a manner that no hazardous conditions such as, but not limited to, small parts and sharp edges exist at the time equipment is discarded.



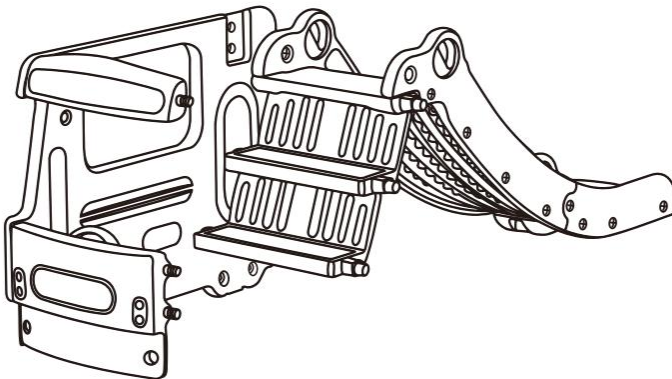
- 1 Assemble the slide EXTENSION with the Slide LARGE ,and then tighten the screws.



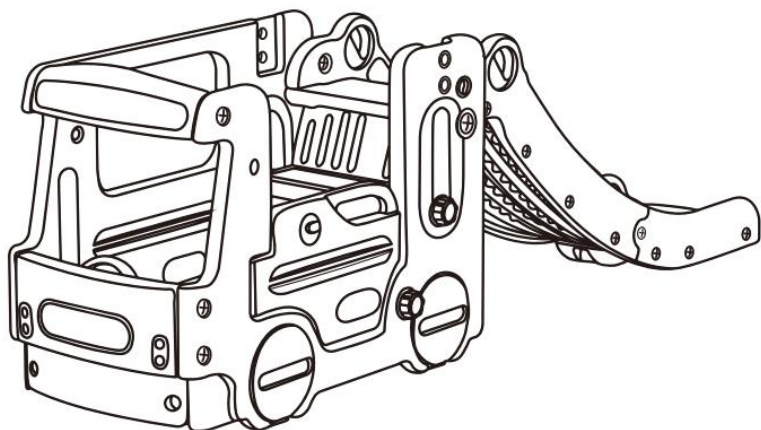
- 2 Secure rails on both sides of the guide rails



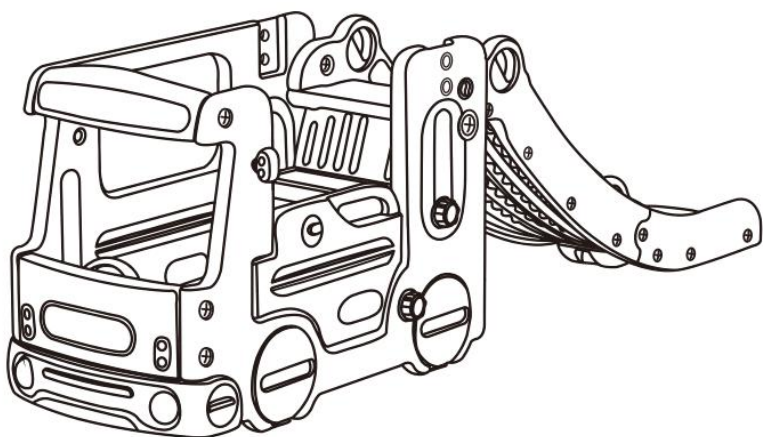
- 3** Connect the slides and pedals to the Type B side panels







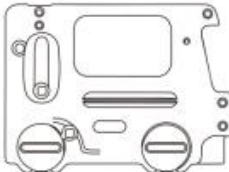
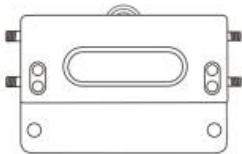
- 4** Fasten bus fenders and fronts to B-shaped side panels


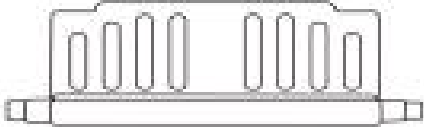

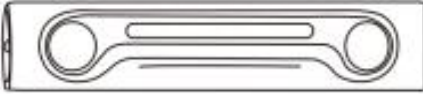













5 Assemble the A-frame side panels to the other side





6 Fix the bumper to the front of the car with the lights

Accessories	
	1PC
	1PC
	1PC
	1PC
	1PC
	1PC

	<p>1PC</p>
	<p>2PCS</p>
	<p>1PC</p>
	<p>1PC</p>
	<p>5PCS</p>
	<p>9PCS</p>
	<p>20PCS</p>

	7PCS
	3PCS
	1PC
	2PCS
	7PCS
	5PCS
	1PC
	3PCS

	2PCS
	2PCS

Manufacturer: Shanghaimuxinmuyeyouxiangongsi

Address: Shuangchenglu 803nong11hao1602A-1609shi, baoshanqu, shanghai 200000 CN.

Imported to AUS: SIHAO PTY LTD. 1 ROKEVA STREETEASTWOOD NSW 2122 Australia

Imported to USA: Sanven Technology Ltd. Suite 250, 9166 Anaheim Place, Rancho Cucamonga, CA 91730

UK	REP
-----------	------------

YH CONSULTING LIMITED. C/O YH Consulting Limited Office 147, Centurion House, London Road, Staines-upon-Thames, Surrey, TW18 4AX

EC	REP
-----------	------------

E-CrossStu GmbH
Mainzer Landstr.69,
60329 Frankfurt am Main.

VEVOR[®]

TOUGH TOOLS, HALF PRICE

Technical Support and E-Warranty Certificate

www.vevor.com/support