

NEED HELP? CONTACT US!

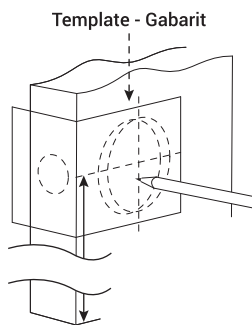
Have product questions? Need technical support? Please feel free to contact us:

Technical Support and E-Warranty Certificate
www.vevor.com/support

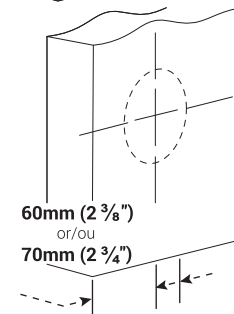
This is the original instruction, please read all manual instructions carefully before operating. VEVOR reserves clear interpretation of our user manual. The appearance of the product shall be subject to the product you received. Please forgive us that we won't inform you again if there is any technology or software updates on our product.

1

Recommendation:
965mm (38") from the floor
Recommandation:
965mm (38") du sol

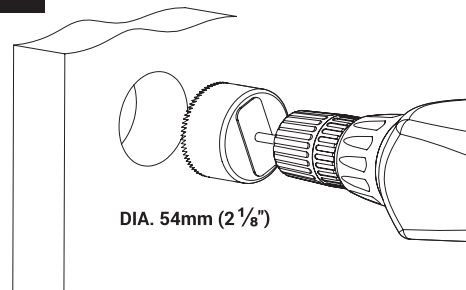


Trace the holes on the door.
Tracer les trous sur la porte.



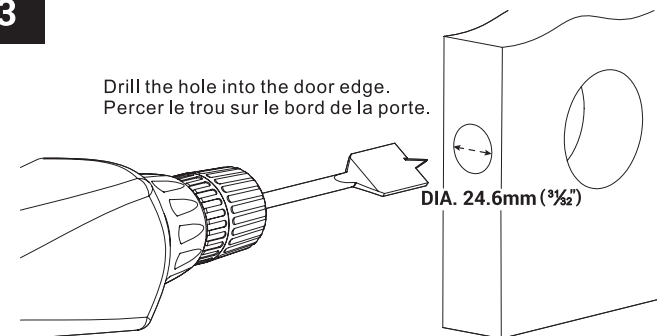
2

Drill the hole into the door.
Percer le trou dans la porte.



3

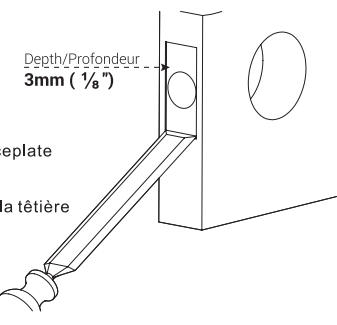
Drill the hole into the door edge.
Percer le trou sur le bord de la porte.



4

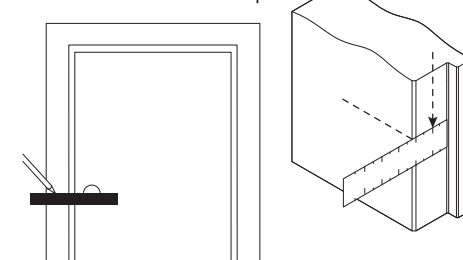
Cut the hole for the faceplate
on the door edge.

Découper le trou pour la tête
sur le bord de la porte.



5

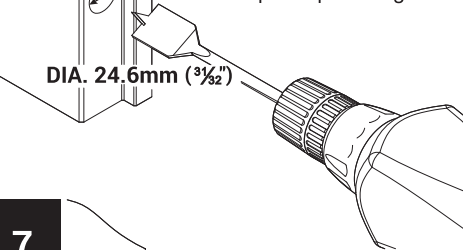
Trace the hole for strike plate on door
jamb.
Tracer le trou pour la gâche
sur le cadre de porte.



6

Drill the hole into the door
jamb for the strike plate.

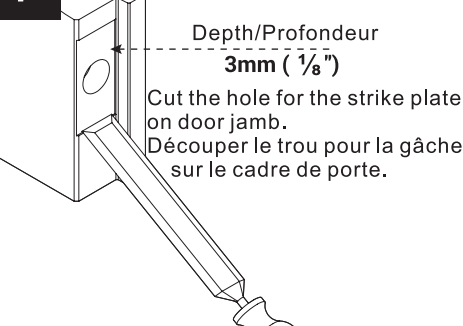
Percer le trou dans le
cadre de porte pour la gâche.



7

Depth/Profondeur
3mm (1/8")

Cut the hole for the strike plate
on door jamb.
Découper le trou pour la gâche
sur le cadre de porte.

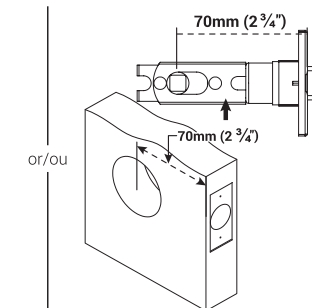


1

Optional
Optionnel



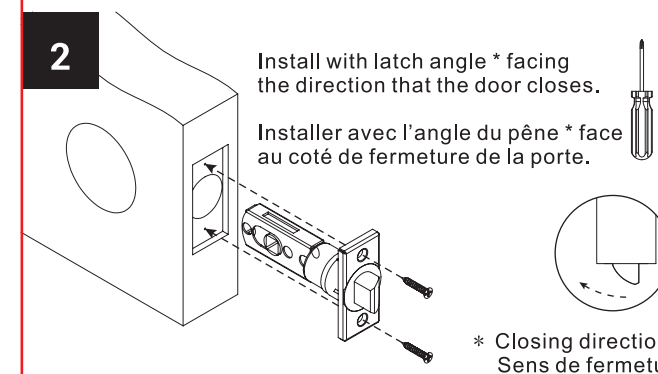
Adjust latch length.
Ajuster la longueur du pêne.



2

Install with latch angle * facing
the direction that the door closes.

Installer avec l'angle du pêne * face
au côté de fermeture de la porte.

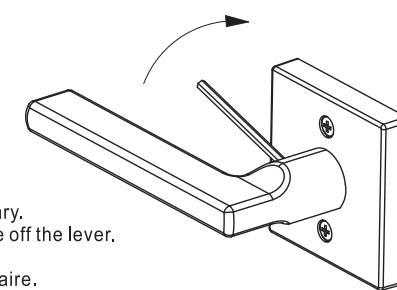


* Closing direction
Sens de fermeture

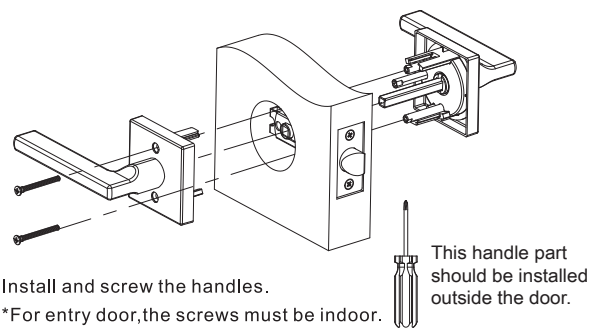
3

Reverse the levers if necessary.
Unscrew the set screw to take off the lever.

Inverser les leviers si nécessaire.
Dévisser la vis de pression pour enlever le levier.

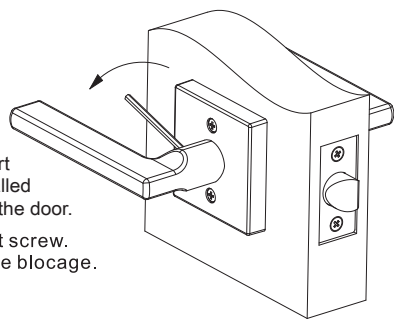


4



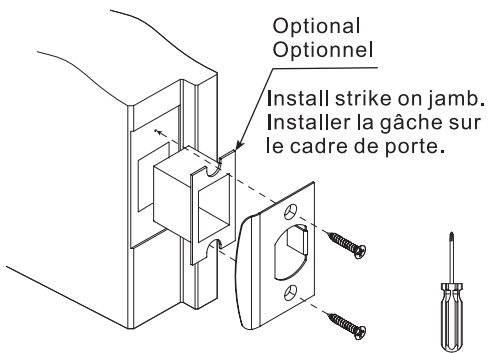
Install and screw the handles.
 *For entry door, the screws must be indoor.
 Installer et visser les poignées.

5

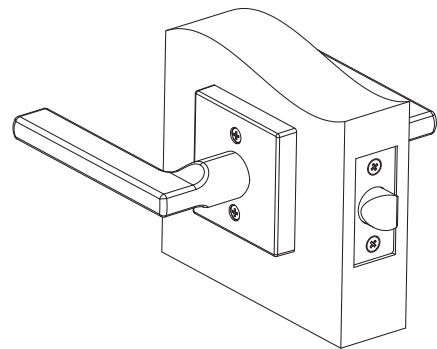


This handle part should be installed interior side of the door.
 Tighten the set screw.
 Serrer la vis de blocage.

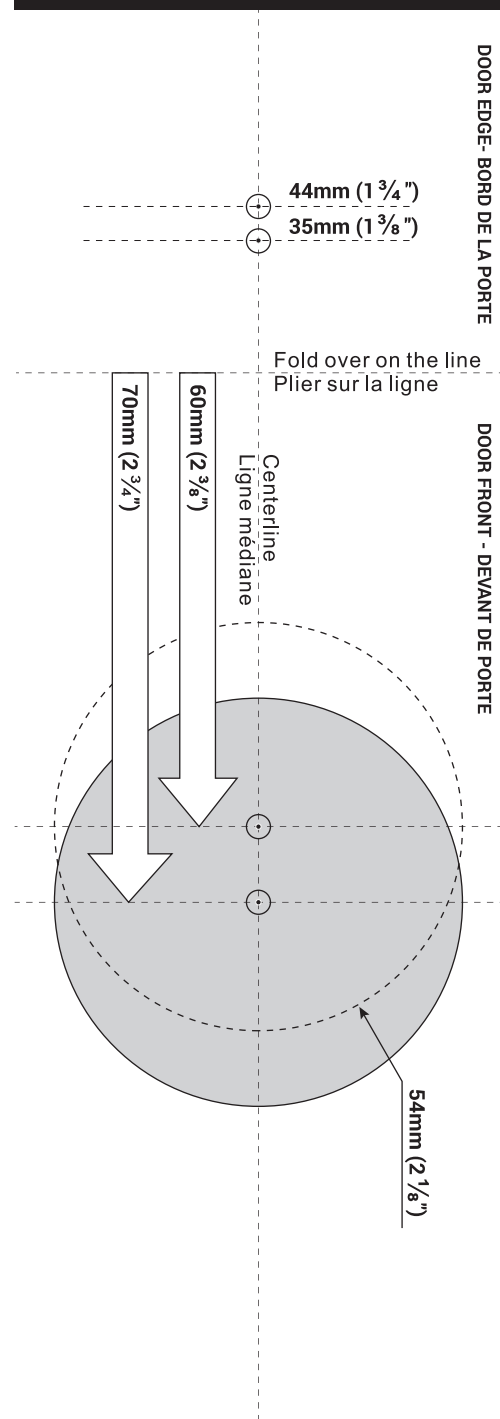
6



7



TEMPLATE - GABARIT



Manufacturer: Shanghai muxinmuyeyouxiangongsi
Address: Shuangchenglu 803nong11hao1602A-1609shi, baoshanqu, shanghai 200000 CN.
EC REP: E-CrossStu GmbH
 Mainzer Landstr.69, 60329 Frankfurt am Main.
UK REP: YH CONSULTING LIMITED.
 C/O YH Consulting Limited Office 147, Centurion House, London Road, Staines-upon-Thames, Surrey, TW18 4AX
Imported to AUS: SIHAO PTY LTD.
 1 ROKEVA STREET EASTWOOD NSW 2122 Australia
Imported to USA: Sanven Technology Ltd.
 Suite 250, 9166 Anaheim Place, Rancho Cucamonga, CA 91730

VEVOR[®]
 TOUGH TOOLS, HALF PRICE

Technical Support and E-Warranty Certificate
www.vevor.com/support

Door Handle lock

We continue to be committed to provide you tools with competitive price. "Save Half", "Half Price" or any other similar expressions used by us only represents an estimate of savings you might benefit from buying certain tools with us compared to the major top brands and does not necessarily mean to cover all categories of tools offered by us. You are kindly reminded to verify carefully when you are placing an order with us if you are actually saving half in comparison with the top major brands.

VEVOR[®]
 TOUGH TOOLS, HALF PRICE

Technical Support and E-Warranty Certificate
www.vevor.com/support