

# **VEVOR<sup>®</sup>**

**TOUGH TOOLS, HALF PRICE**

Technical Support and E-Warranty Certificate [www.vevor.com/support](http://www.vevor.com/support)

## **Golf Cart Cover**

## **USER MANUAL**

We continue to be committed to provide you tools with competitive price.

"Save Half", "Half Price" or any other similar expressions used by us only represents an estimate of savings you might benefit from buying certain tools with us compared to the major top brands and does not necessarily mean to cover all categories of tools offered by us. You are kindly reminded to verify carefully when you are placing an order with us if you are actually saving half in comparison with the top major brands.

# VEVOR®

TOUGH TOOLS, HALF PRICE

## Golf Cart Cover

**MODEL:COV-20; COV-21**



Thanks for purchasing one of our products, please read carefully the assembly instructions before the installation.

### **NEED HELP? CONTACT US!**

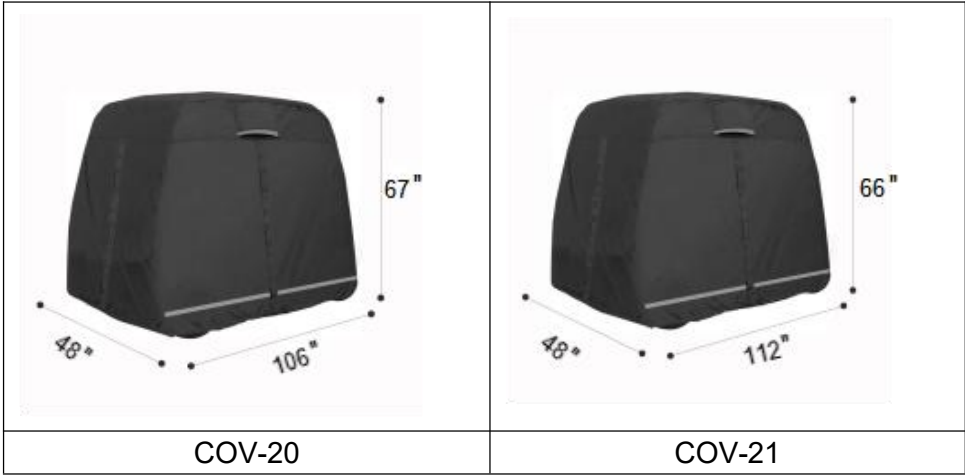
Have product questions? Need technical support? Please feel free to contact us:

**Technical Support and E-Warranty Certificate**  
**[www.vevor.com/support](http://www.vevor.com/support)**

This is the original instruction, please read all manual instructions carefully before operating. VEVOR reserves a clear interpretation of our user manual. The appearance of the product shall be subject to the product you received. Please forgive us that we won't inform you again if there are any technology or software updates on our product.

# PRODUCT PARAMETERS

<b>Product Name:</b>	Golf Cart Cover	
<b>Product Material:</b>	High density polyester 600D	
<b>Product Color:</b>	Black	
<b>Model:</b>	COV-20	COV-21
<b>Fits for the chair size: (L*W*H)</b>	106"x48"x67"	112"x48"x66"
<b>Models:</b>	2 seats	4 seats



## General Safety Rules

### WARNING:

Please read carefully the following instructions in order to reduce the risk of injuries, accidents or damage to the product by itself.

## **ASSEMBLY PRECAUTIONS**

Do not assemble when tired or under the influence of alcohol, drugs or medication.

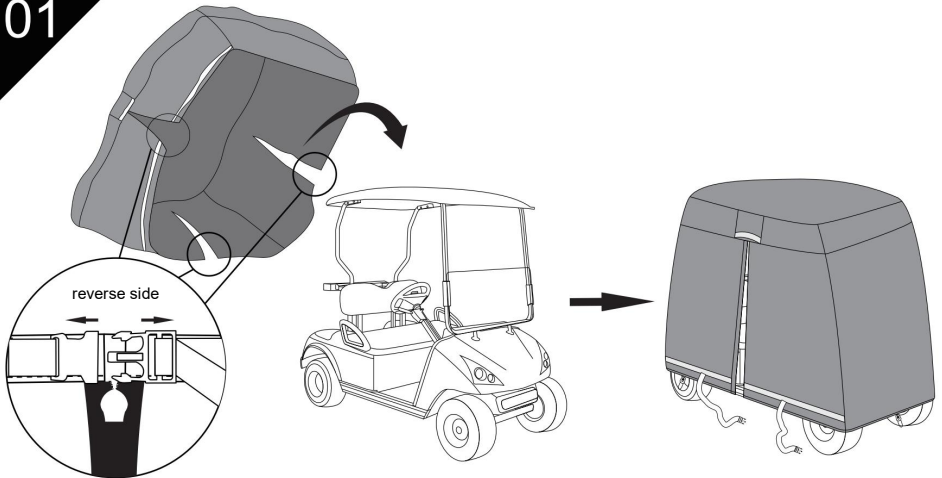
## **USE PRECAUTIONS**

1. Use as intended only.
2. Before use, measure whether the size of the Golf Cart is within the scope of the product description.
3. Please don't put the product beside a heating plant or fires, or pour hot water on it in case of fires, burns and deformation dangers.
4. Please don't allow babies and children to put fragments of this product into their mouth.
5. There may be slight odor when unpacking. Please put the golf cart cover in a ventilated place to give off the odor.
6. Please do not put the product into the washing machine, it is recommended to wash by hand.
7. Please do not contact this product with corrosive chemicals and sharp knives.
8. This product is not a toy. Children and minors are not allowed to use this product to avoid causing personal injury
9. The safety precautions and instructions given in this manual are unable to cover in detail all the conditions and situations that may arise.
10. The operator and/or user must use common sense and caution when operating the product especially for any matters that are not referred in the above.

## **SAVE THESE INSTRUCTIONS**

# Installation Method

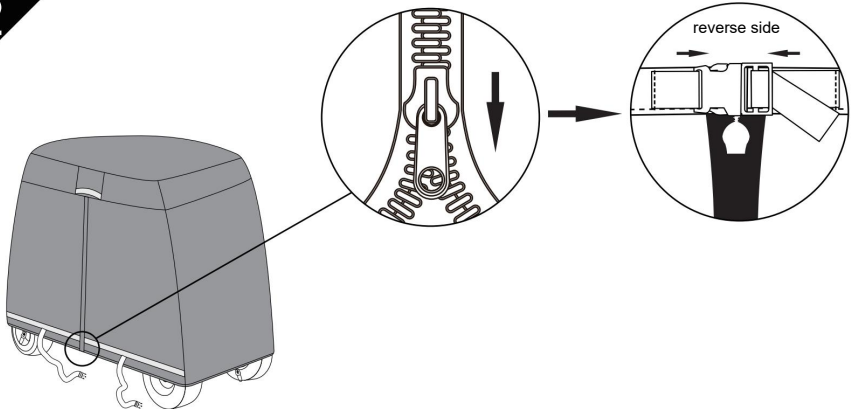
01



Remove the cover from the bag, undo the buckle under the door cover (on the reverse side) on 3 sides of the cover, Pull the zipper open and put the hood over the car.

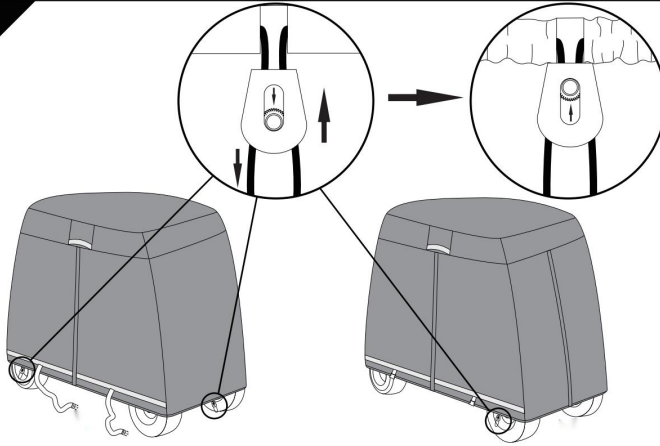
(Note: The side without zipper faces the front of the car)

02



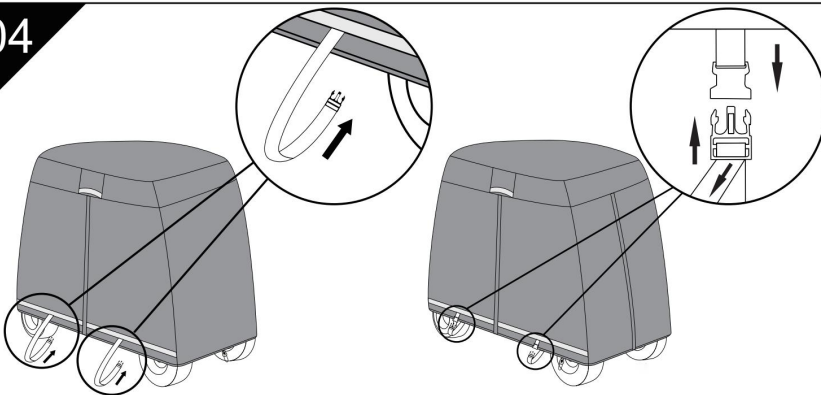
Adjust the cover , so that the four sides are exactly the same as the four sides of the car, pull the three-door zipper and insert the buckle.

03



As shown in the figure, find the three elastic devices located at the bottom of the cover to adjust the tightness of the bottom of the cover according to the marked orientation, Tighten by pulling the rope at the end of the device with one hand and pushing the device up with the other. (To release, slide the slider in the middle of the unit down while pulling the unit down.)

04



As shown in the picture, find the two webbing on the left side of the cover (with a buckle on the head) and send it in from the bottom of the car, Pass to the right to connect with the corresponding female buckle, adjust the webbing length on the male buckle to tie the cover and the car firmly.

# Cleaning

-Hand wash with laundry solution and let dry naturally.

Do not machine wash.

**Sanven Technology Ltd.**

**Address:** Suite 250, 9166 Anaheim Place, Rancho Cucamonga, CA 91730

**Made in China**

**VEVOR**<sup>®</sup>

**TOUGH TOOLS, HALF PRICE**

**Support and E-Warranty Certificate**

**[www.vevor.com/support](http://www.vevor.com/support)**