

VEVOR[®]

TOUGH TOOLS, HALF PRICE

Technical Support and E-Warranty Certificate
www.vevor.com/support

Inverted machine

MODEL:QD001,QD002,QD003

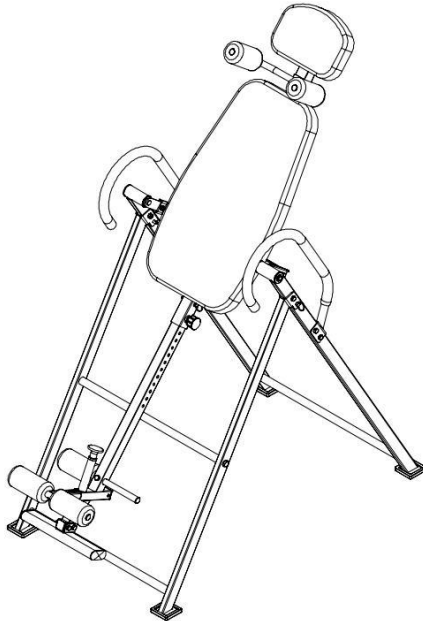
We continue to be committed to provide you tools with competitive price. "Save Half", "Half Price" or any other similar expressions used by us only represents an estimate of savings you might benefit from buying certain tools with us compared to the major top brands and does not necessarily mean to cover all categories of tools offered by us. You are kindly reminded to verify carefully when you are placing an order with us if you are actually saving half in comparison with the top major brands.

VEVOR[®]

TOUGH TOOLS, HALF PRICE

Inverted machine

MODEL: QD001, QD002, QD003



NEED HELP? CONTACT US!

Have product questions? Need technical support? Please feel free to contact us:

Technical Support and E-Warranty Certificate
www.vevor.com/support

This is the original instruction, please read all manual instructions carefully before operating. VEVOR reserves a clear interpretation of our user manual. The appearance of the product shall be subject to the product you received. Please forgive us that we won't inform you again if there are any technology or software updates on our product.

Preface

First, let us express our heartfelt thanks to our customers who purchased our equipment. This manual is for customer service to make better use of this equipment. We hope the company's products and services will bring you the same courtesy.

Pay attention

This product must be used in strict accordance with the use method of this manual, misuse of any other methods caused by misuse. The Company does not give any guarantee of any kind, including (but not limited to) the marketability offered to the Company for a particular purpose. Implied warranties with fitness.

The company accepts no liability. The Company shall not be liable for any errors contained in this material, or for any accidental or consequential damages

resulting from the provision, actual performance or use of this manual.

This manual contains proprietary information protected by patent law. All rights

reserved. Without the written consent of the Company, this manual is not allowed to be photocopied, copied, or translated any part into another language.

The content contained in the manual may be changed without the user's notice.

Manufacturer's liability

The Company shall be held responsible for the safety and reliability of the performance of the equipment only if the assembly operation, returning, improvement and maintenance are carried out by personnel approved by the

Company, the electrical equipment concerned conforms to national standards, and the equipment is used in accordance with the operating instructions.

Guarantee

Manufacturing process and raw materials: The Company guarantees that the Equipment(except parts) is in regular use and repair condition, free of manufacturing process and raw materials faults for one year from the date of shipment. None of our inspections is perfect

1. Precautions

1.1 Precautions for use

Warning:

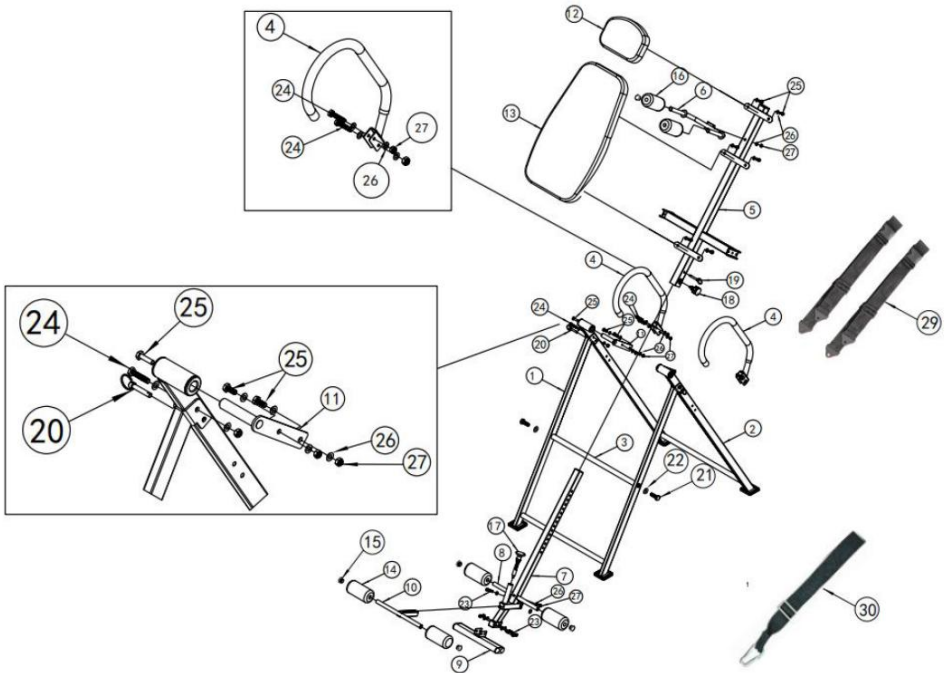
1. If the equipment feels loose, falls or is damaged, please get in touch with the company in time;
2. Keep work area clean and well lit. Cluttered or dark areas invite accidents.
3. Keep children and bystanders away while operating, distractions will cause you to lose control.
4. Stay alert, watch what you are doing and use common sense when operating the equipment. Do not use the equipment while you are tired or under the influence of drugs, alcohol or medication.. A moment of inattention while operating equipment may result in serious personal injury.
5. Dress properly. Do not wear loose clothing or jewelry. Keep your hair, clothing and gloves away from moving parts. Loose clothes jewelry or long hair can be caught in moving parts.
6. Store idle equipment out of reach of children and only allow people familiar with the equipment to use it. This tool is dangerous in the hands of untrained users.
7. Please do not use this device after drinking alcohol or taking medication.

SAVE THESE INSTRUCTIONS

Product pipe fitting parameters

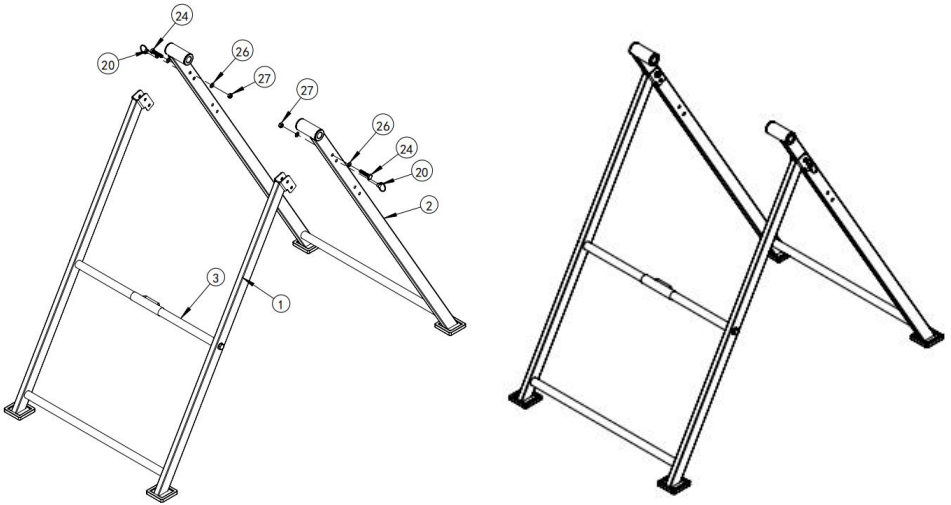
product name	Inverted machine
Model	QD001
Max load	300ilb
Product size L x W x H	1200X690X1640mm
Product weight	19.6 kg
Colour	Blue Black Double Pinyin/Orange Black Double Pinyin/Black Red Double Pinyin

Product breakdown diagram

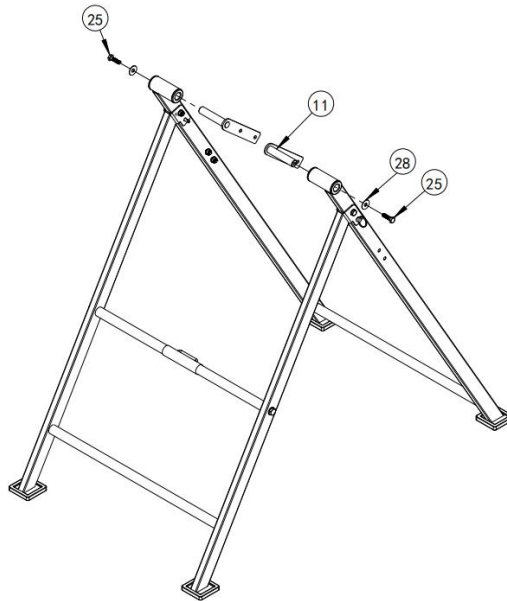


PARTS LIST		
NUMBER	DESCRIPTION	QUANTITY
1	Support	1
2	Support	1
3	Connecting pipe	1
4	Handle	2
5	Back connection	1
6	elbow pad	1
7	Leg adjustment(long)	1
8	Leg cushion tube	1
9	Footing	1
10	Leg adjustment(short)	1
11	Connect	2
12	Neck cushion	1
13	Backing	1
14	Foam	4
15	Circular plug	4
16	Foam	2
17	Spring latch M20	2
18	Spring latch M16	1
19	Ring locking pin	1
20	Ring locking pin	2
21	BOLT M10*30	2
22	WASHERS M10	2
23	BOLT M8*50	3
24	BOLT M8*40	6
25	BOLT M8*20	12
26	WASHERS M8	31
27	NUT M8	14
28	WASHERS M8	6
29	Straps	2
30	Tension strap	1
31	14-17 open-end wrench	2

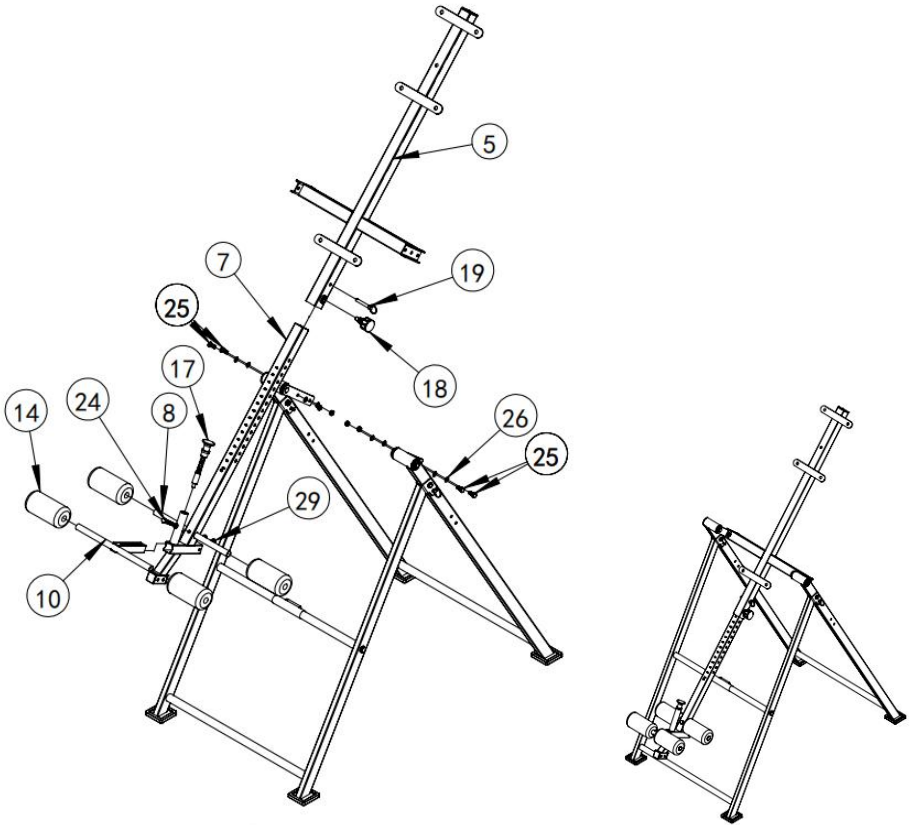
Installation steps



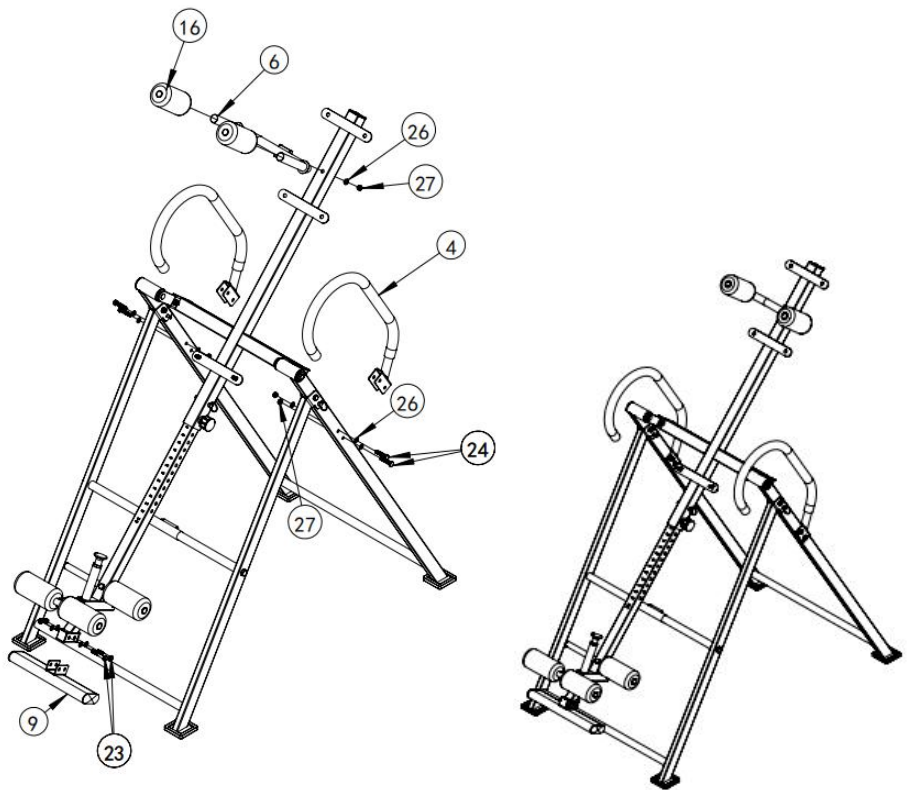
1. Assemble component 1 and component 2 using M8 screws (24), M8 washers (26), and M8 locking nuts (27).
2. Use the circular pin (20) to assemble components 1 and 2.



3. Use M8 * 20 screws (25) and a φ 8 washer (28) to connect component 11 to component 2.



4. Fix the 5th and 11th components with M8 * 20 screws (25), 2 * 8 washers (26), and 1 M8 locking nut (27).
5. Insert component 7 into component 5, adjust the appropriate length, and then fix it with a circular pin (19) and a spring pull pin (18).
6. Insert component 8 into component 7 and secure it with M8 * 40 screws (24), 2 * 8 washers (26), and 1 M8 locking nut (27).
7. Assemble No. 14 foam with No. 8 foam.
8. Insert component 10 into component 7 and adjust its position, then fix it with the M20 pin (17).
9. Assemble the 14th foam with the 10th component.

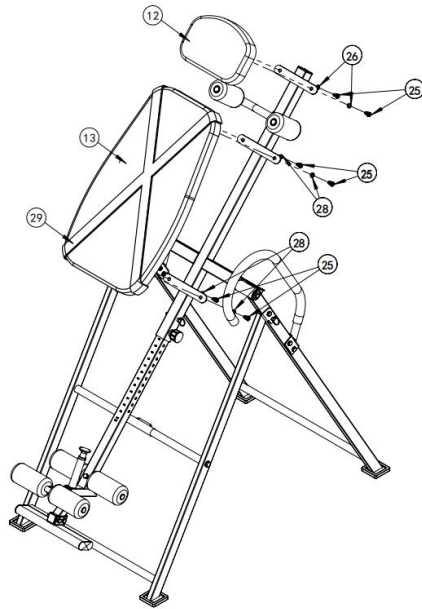


10. Assemble component 9 and component 7 using M8 * 50 screws (23), 2 M8 washers (26), and 1 M8 (27) locking nut.

11. Assemble component 4 with M8 * 40 screws (23), M8 washers (26), and M8 locking nuts (27) onto component 2.

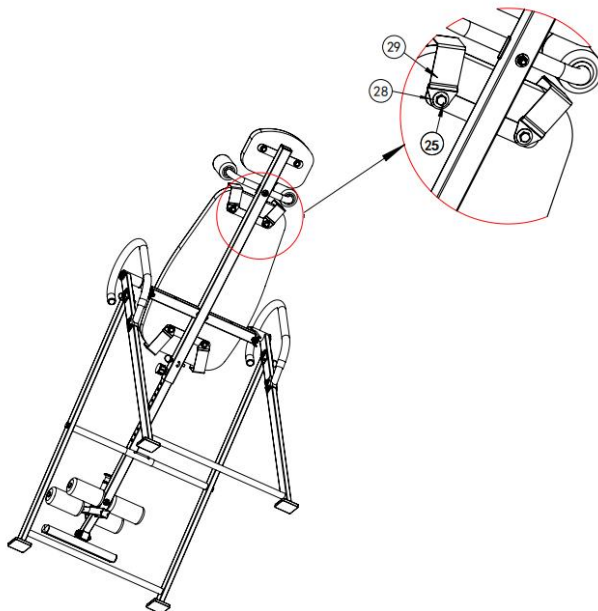
12. Assemble the 16th foam with the 6th component.

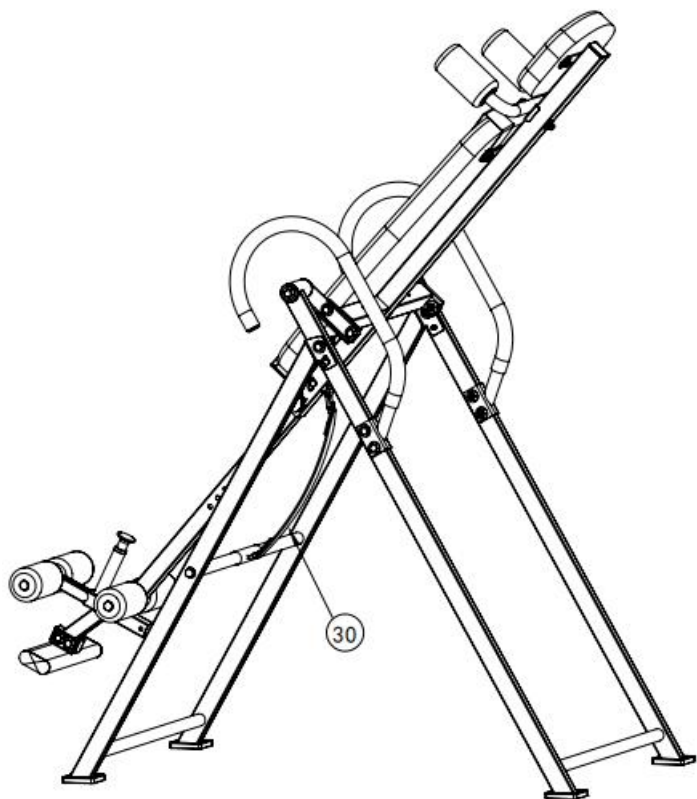
13. Assemble component 6 using M8 washers (26) and M8 locking nuts (27).



14. Assemble component 5 and component 12 using M8 * 20 screws (25) and ϕ 8 washers (26).

15. Assemble parts 13, 5, and 29 using M8 * 20 screws (25) and a ϕ 8 washer (28).





16. Assemble component 30 with components 1 and 3.

Manufacturer: Shanghaimuxinmuyeyouxiangongsi
Address: Shuangchenglu 803nong11hao1602A-1609shi,
baoshanqu,
shanghai 200000 CN.

Imported to AUS: SIHAO PTY LTD. 1 ROKEVA
STREETEASTWOOD
NSW 2122 Australia

Imported to USA: Sanven Technology Ltd. Suite 250, 9166
Anaheim
Place, Rancho Cucamonga, CA 91730

UK	REP
-----------	------------

YH CONSULTING LIMITED. C/O YH Consulting
Limited Office 147, Centurion House, London
Road, Staines-upon-Thames, Surrey, TW18 4AX

EC	REP
-----------	------------

E-CrossStu GmbH
Mainzer Landstr.69,
60329 Frankfurt am Main.

Z

VEVOR[®]
TOUGH TOOLS, HALF PRICE

Technical Support and E-Warranty Certificate
www.vevor.com/support