

# **VEVOR<sup>®</sup>**

## **TOUGH TOOLS, HALF PRICE**

Technical Support and E-Warranty Certificate [www.vevor.com/support](http://www.vevor.com/support)

### **BASKETBALL HOOP STAND MODEL:BCP0182**

We continue to be committed to provide you tools with competitive price.

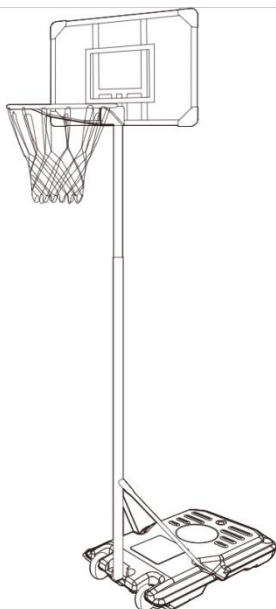
"Save Half", "Half Price" or any other similar expressions used by us only represents an estimate of savings you might benefit from buying certain tools with us compared to the major top brands and dose not necessarily mean to cover all categories of tools offered by us. You are kindly reminded to verify carefully when you are placing an order with us if you are actually saving half in comparison with the top major brands.

# VEVOR<sup>®</sup>

TOUGH TOOLS, HALF PRICE

## BASKETBALL HOOP STAND

MODEL:BCP0182



### NEED HELP? CONTACT US!

Have product questions? Need technical support? Please feel free to contact us:

**Technical Support and E-Warranty Certificate**  
**[www.vevor.com/support](http://www.vevor.com/support)**

This is the original instruction, please read all manual instructions carefully before operating. VEVOR reserves a clear interpretation of our user manual. The appearance of the product shall be subject to the product you received. Please forgive us that we won't inform you again if there are any technology or software updates on our product.

## INSTRUCTIONS

Thank you very much for choosing this Basketball Hoop Stand. Please read all of the instructions before using it. The information will help you achieve the best possible results.

### **WARNING:**

Please read this manual carefully before using the product. Failure to do so may result in serious injury.

### **ASSEMBLY PRECAUTIONS**

1. Assemble needs to follow these instructions. Incorrect assembly can be a hazard.
2. Wear safety goggles and heavy-duty work gloves during assembly.
3. Do not assemble when tired or under the influence of alcohol, drugs or medication.
4. Weight capacity and other product capabilities only apply to a wholly and correctly assembled product.
5. Keep the assembly area clean and well-lit.
6. Keep bystanders out of the area during assembly.
7. The weight of plate is heavy; pay attention to the installation to avoid hurting it, and if necessary, find someone to assist with the installation.
8. When installing the bracket, it is best to put some water in the base first to avoid the collapse of the backboard.
9. Assembly should be done by adults only.
10. Do not hang from the rim or climb on the pole. Do not climb on the base or structure in general, as this could result in serious injuries.
11. **WARNING:** This product contains small parts. If swallowed, it will pose a choking hazard. Keep these small parts away from children when assembling!

# USE PRECAUTIONS



**WARNING: TO PREVENT SERIOUS INJURY AND DEATH FROM**

## **TIPPING:**

1. Use as intended only. Do not sit or stand on the product.
2. Inspect before every use. Do not use it if parts are loose or damaged.
3. Use on flat, level, and hard surfaces only.
4. If any parts are missing, broken, damaged, or worn, stop using this item until repairs are made and factory replacement parts are installed.
5. Adjustment and moving of the basketball set must be carried out by adults.
6. Always check the unit to ensure the base is full of water or sand, and that all fittings and hardware are tight before each use.
7. Do not allow water to freeze in the base.

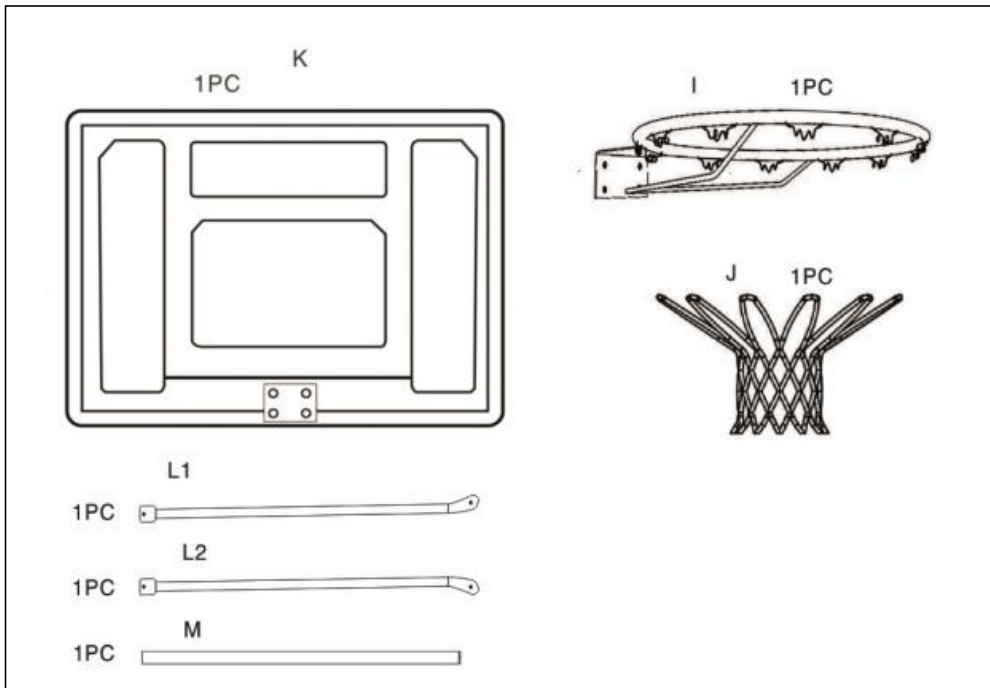
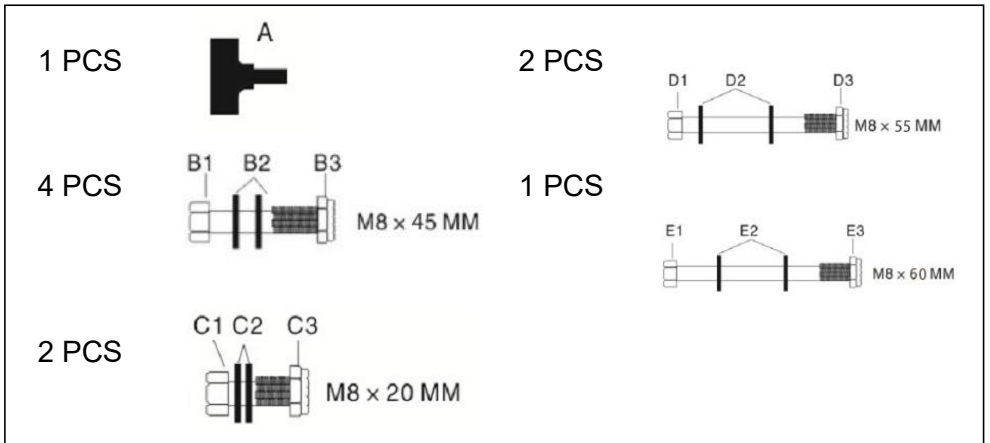
## **WARNING:**

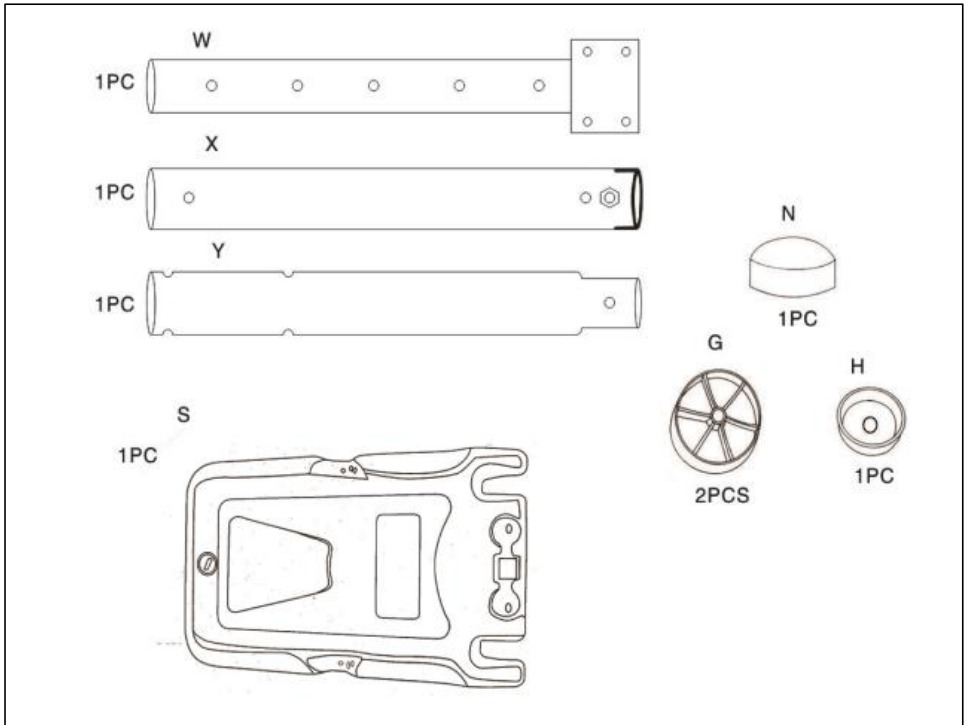
**For your safety, please do not dunk or hang from the basketball hoop.**

**SAVE THESE INSTRUCTIONS**

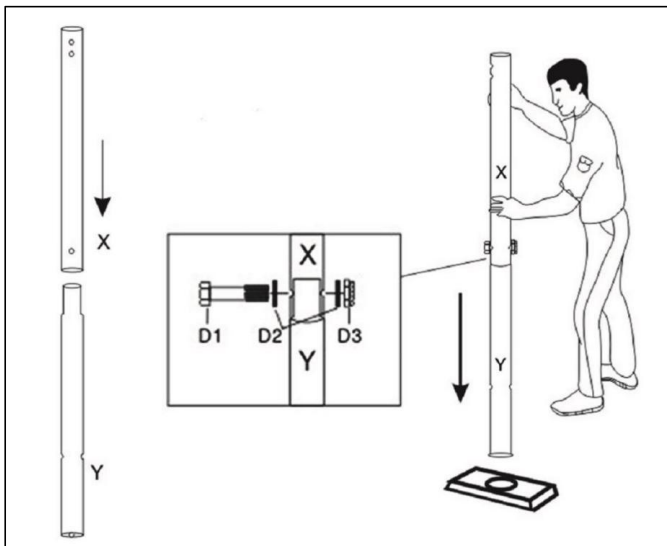
## PART LIST

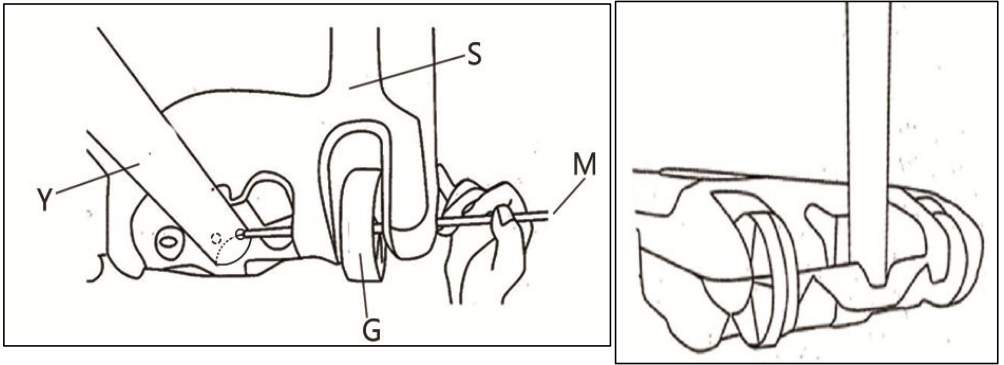
Part No	Name&Specification	Qty	Remarks
A	Plastic head knob	1	Fix Top Pole(W) On Middle Pole(X)
B1,B2, B3	Bolt,M8*45MM	4	Connect Rim(I)&backboard(K),& Top Pole(W)
C1,C2, C3	Bolt,M8*20MM	2	Connect base(S)&Base Brace(L1),(L2)
D1,D2, D3	Bolt,M8*55MM	2	Connect middle pole (X)& Bottom Pole(Y),And connect Top pole(W)&Middle Pole(X)
E1,E2, E3	Bolt,M8*60MM	1	Connect Bottom pole (Y)& Base brace(L1),(L2)
G	Wheel	2	
H	Water Cap	1	
I	Rim	1	
J	Net	1	
K	Backboard	1	
L1	Right Brace	1	
L2	Left Brace	1	
M	Wheel Shaft	1	
N	Pole Cap	1	
W	Top Pole	1	
X	Middle Pole	1	
Y	Bottom Pole	1	
S	Base	1	



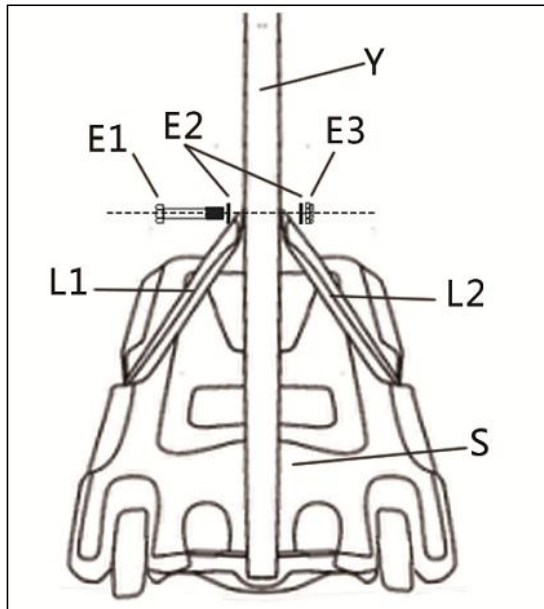


Connect the Middle Pole(X)&Bottom Pole(Y) as shown,Fix them by Bolt Set(D1),(D2)&(D3).



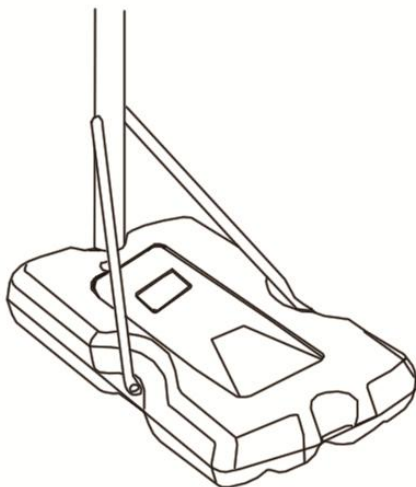
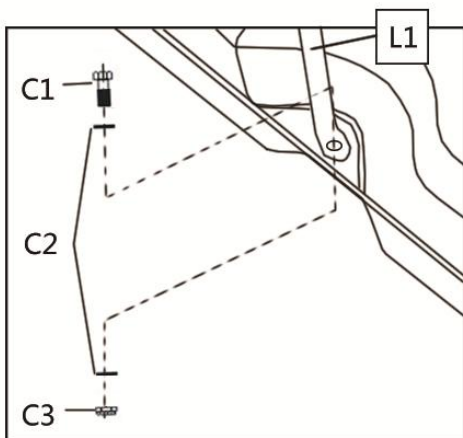


Insert the Wheel Shaft(M) into Wheel(G),Base(S) and end of Bottom Pole(Y) as shown.



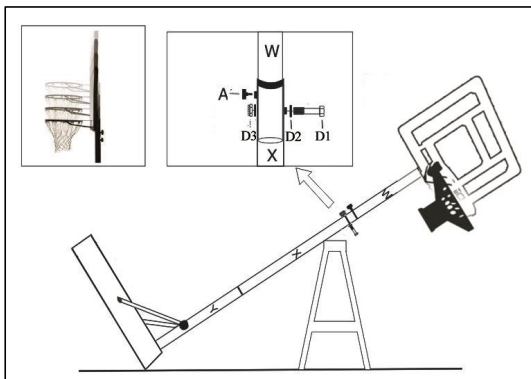
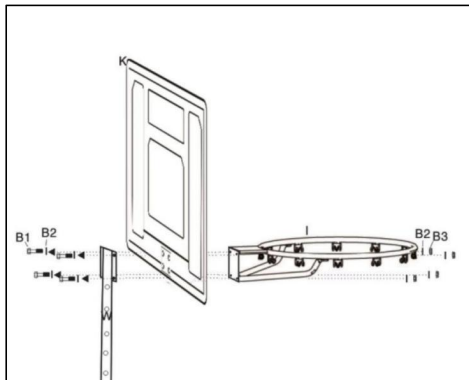


Fix one end of Pole Brace(L1)&(L2) on Bottom Pole(Y) by Bolt Set(E1),(E2)&(E3) as shown



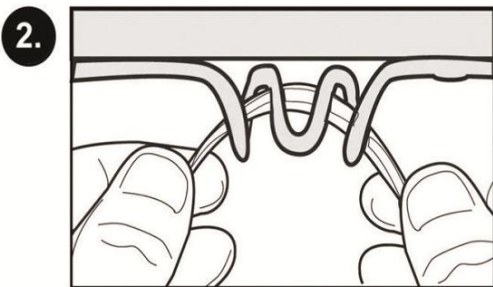
Fix the other end of Pole Brace(L1)&(L2) on two sides of Base(S) by Bolt Set(C1),(C2)&(C3) as shown.

Install Rim(I)&Top Pole(W) on Backboard(K) by Bolt Set (B1),(B2)&(B3) as shown.

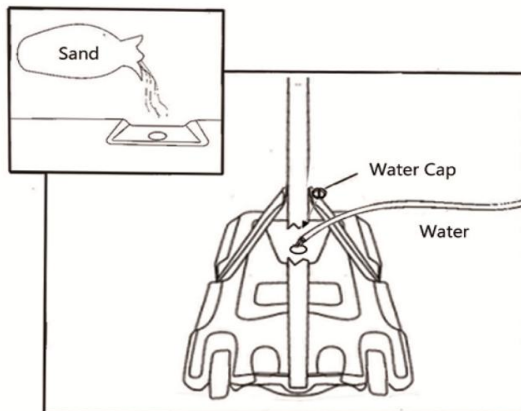


Insert the Top Pole(W) into Middle Pole (X),adjust it to required height,then fix them by Plastic Head Knob(A)&Bolt Set(D1),(D2)&(D3) as shown.Adjust the height by change the Bolt Set(D1),(D2)&(D3) in different holes on Top Pole(W).

Install Net (J) on Rim (I) as shown.



Filling the base(S) with water or sand to keep steady.



**Address:** Baoshanqu Shuangchenglu 803long 11hao 1602A-1609shi  
Shanghai

**Imported to AUS:** SIHAO PTY LTD, 1 ROKEVA STREETEASTWOOD  
NSW 2122 Australia

**Imported to USA:** Sanven Technology Ltd., Suite 250, 9166 Anaheim  
Place, Rancho Cucamonga, CA 91730



Pooledas Group Ltd  
Unit 5 Albert Edward House, The Pavilions  
Preston, United Kingdom



SHUNSHUN GmbH  
Römeräcker 9 Z2021, 76351  
Linkenheim-Hochstetten, Germany

**VEVOR<sup>®</sup>**

**TOUGH TOOLS, HALF PRICE**

**Technical Support and E-Warranty Certificate**

**[www.vevor.com/support](http://www.vevor.com/support)**

**Made In China**