

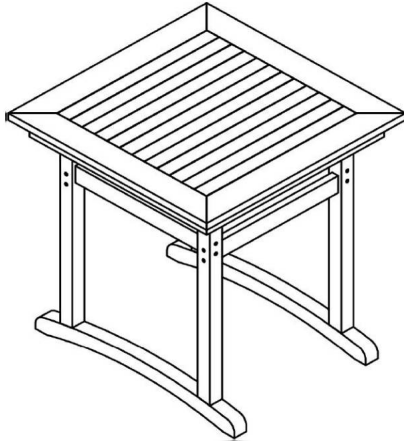
VEVOR[®]

TOUGH TOOLS, HALF PRICE

Technical Support and E-Warranty Certificate www.vevor.com/support

PATIO DINING SETS (SQUARE TABLE) USER MANUAL

We continue to be committed to provide you tools with competitive price. "Save Half", "Half Price" or any other similar expressions used by us only represents an estimate of savings you might benefit from buying certain tools with us compared to the major top brands and does not necessarily mean to cover all categories of tools offered by us. You are kindly reminded to verify carefully when you are placing an order with us if you are actually saving half in comparison with the top major brand



Note: Please be patient that the other items are on the way if you buy more than one product.

NEED HELP? CONTACT US!

Have product questions? Need technical support? Please feel free to contact us: Technical Support and E-Warranty Certificate

www.vevor.com/support

This is the original instruction, please read all manual instructions carefully before operating. VEVOR reserves a clear interpretation of our user manual. The appearance of the product shall be subject to the product you received. Please forgive us that we won't inform you again if there are any technology or software updates on our product.

PRODUCT PARAMETERS

Model	Product Size(LxWxH)	Loading Capacity	material	Color
WS-SS-001	L31.5" xW31.5"xH34.8" (800x800x755mm)	300 lbs (Max) (about 150KG)	Wood- Plastic Composites	Light Gray

ASSEMBLY PRECAUTIONS

1. Assemble needs to follow these instructions. Incorrect assembly can be a hazard.
2. Wear safety goggles and heavy-duty work gloves during assembly.
3. Do not assemble when tired or when under the influence of alcohol, drugs or medication.
4. Weight and other product properties are only applicable to correctly and completely assembled products.
5. Keep the assembly area clean and well-lit.
6. Keep bystanders out of the area during assembly.

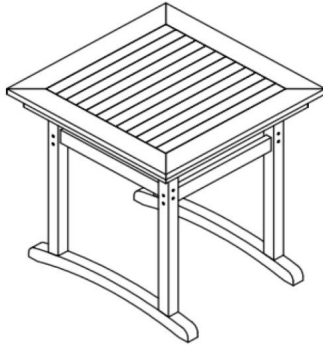
USE PRECAUTIONS

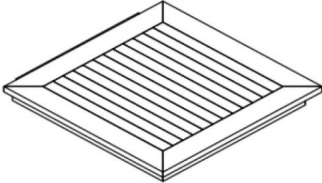

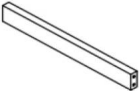

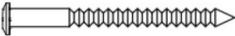




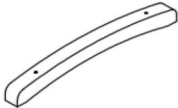


A WARNING: TO PREVENT SERIOUS INJURY AND DEATH FROM TIPPING:

1. This product is not a toy. Please keep the product away from children while assembling.
2. Use as intended only. Do not let children play or jump on the product. Do not stand on the item or use as a step ladder.
3. Inspect before every use. Do not use it if parts are loose or damaged.
4. Tighten the lower screws every three months to prevent loosening of the legs.
5. Do not exceed the listed weight capacity. Tighten all knobs securely before applying load. Be aware of dynamic loading! The sudden load movement may briefly create an excess load, causing product failure.
6. These all-weather items can be stored outdoors year-round. Perfect for people who lives in a wet climate or lives on the coast where humidity and moisture will be an issue all year

SAVE THESE INSTRUCTIONS

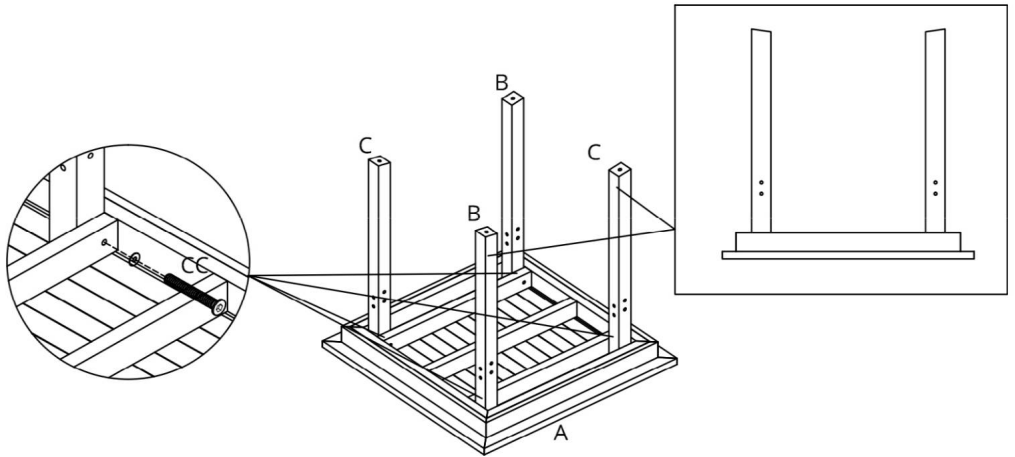
PARTS LIST



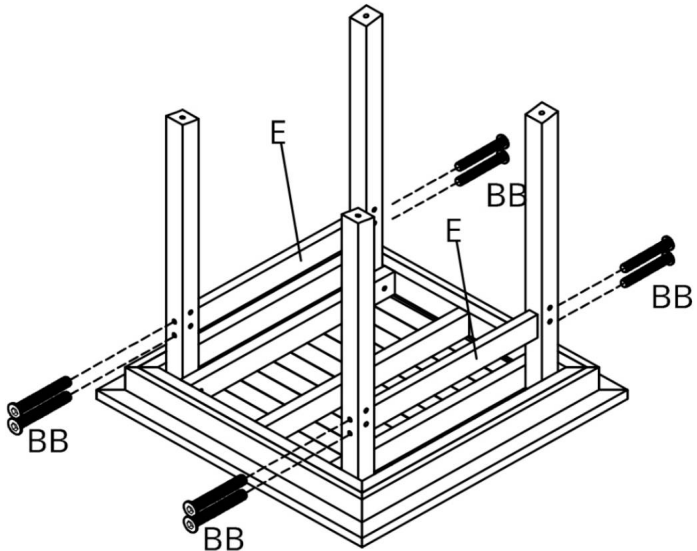
A		1PCS	E		2PCS
			F		2PCS
B		2PCS	AA	 M6*95 Bolt	4PCS
			BB	 M6*70 Bolt	16PCS
C		2PCS	CC	 M6*60 Bolt	4PCS
			DD		4PCS
D		2PCS			
					

ASSEMBLY STEPS

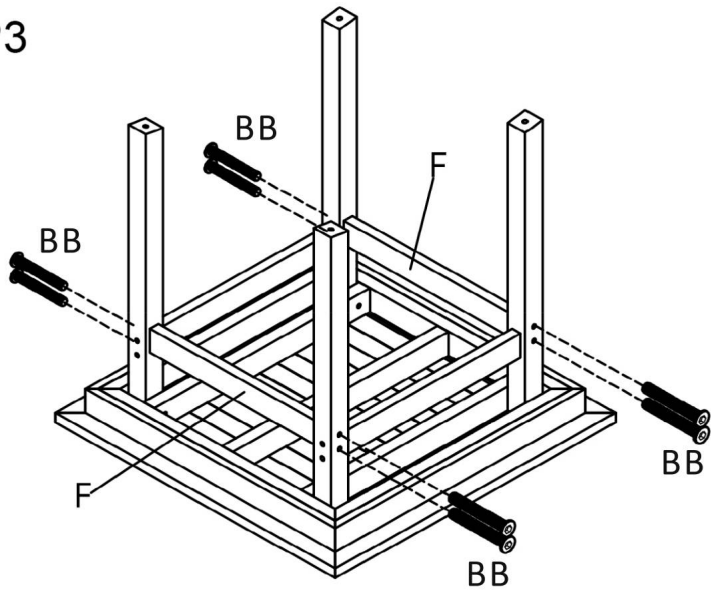
STEP 1



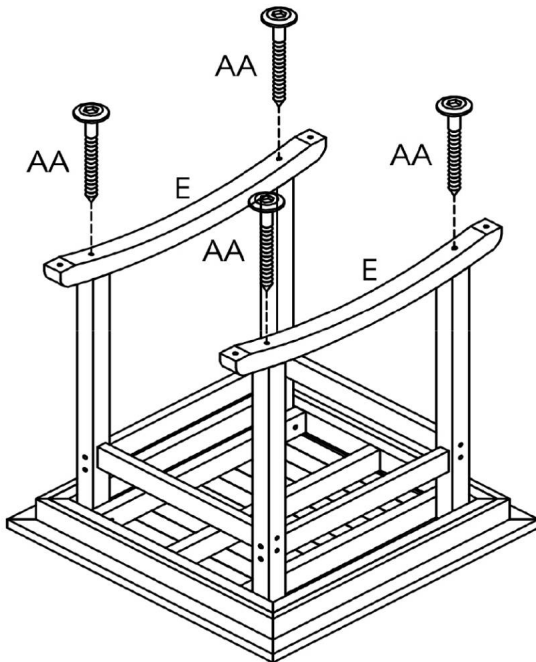
STEP 2



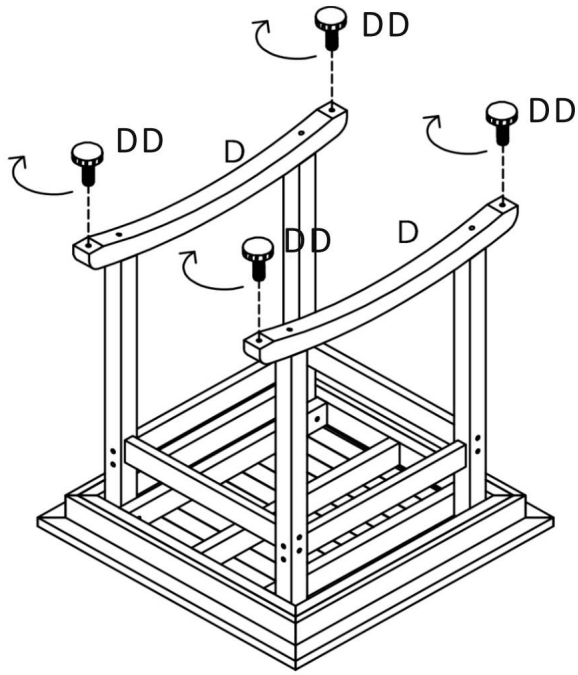
STEP3



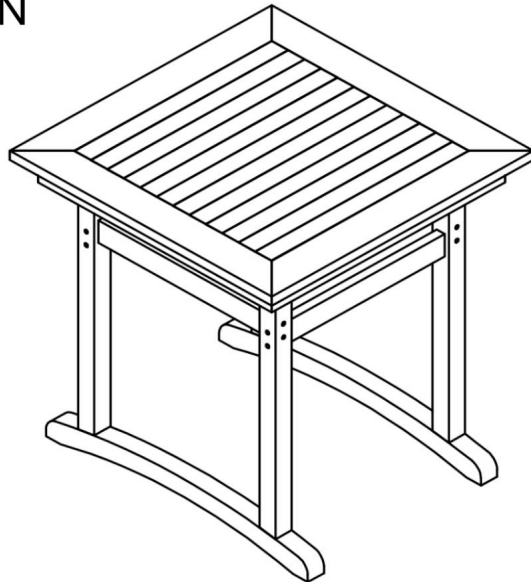
STEP4



STEP5



COMPLETION



Cleaning and Maintenance

- Use a soft, clean cloth that will not scratch the surface when dusting.
- If you run into scratches problems, we suggest you erase the scratches by knife.
 - This item could be cleaned with soap [and water](#). Be sure to avoid harsh solvents and abrasives.
- Periodically (every 90 days) make sure the screws are fully tightened.

Sanven Technology Ltd.

Address: Suite 250, 9166 Anaheim Place, Rancho Cucamonga, CA 91730

VEVOR[®]

TOUGH TOOLS, HALF PRICE

Technical Support and E-Warranty Certificate

www.vevor.com/support

VEVOR[®]

TOUGH TOOLS, HALF PRICE

Technical Support and E-Warranty Certificate www.vevor.com/support

PATIO DINING SETS (ARMCHAIR) USER MANUAL

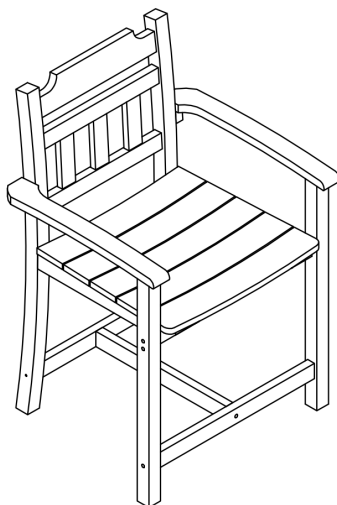
We continue to be committed to provide you tools with competitive price. "Save Half", "Half Price" or any other similar expressions used by us only represents an estimate of savings you might benefit from buying certain tools with us compared to the major top brands and does not necessarily mean to cover all categories of tools offered by us. You are kindly reminded to verify carefully when you are placing an order with us if you are actually saving half in comparison with the top major brand

VEVOR®

TOUGH TOOLS, HALF PRICE

PATIO DINING SETS
(ARMCHAIR)

Model: WS-SS-001-A; WS-SS-002-B



Note: Please be patient that the other items are on the way if you buy more than one product.

NEED HELP? CONTACT US!

Have product questions? Need technical support? Please feel free to contact us:

Technical Support and E-Warranty Certificate
www.vevor.com/support

This is the original instruction, please read all manual instructions carefully before operating. VEVOR reserves a clear interpretation of our user manual. The appearance of the product shall be subject to the product you received. Please forgive us that we won't inform you again if there are any technology or software updates on our product.

PRODUCT PARAMETERS

Model	Product Size(WxDxH)	Loading Capacity	material	Color
WS-SS-001-A	W24.8" xD25.2"xH34.8"	300 lbs (Max)	Wood-Plastic Composites	Light Gray
WS-SS-002-B	(630x640x885mm)	(about 150KG)		Black

ASSEMBLY PRECAUTIONS

1. Assemble needs to follow these instructions. Incorrect assembly can be a hazard.
2. Wear safety goggles and heavy-duty work gloves during assembly.
3. Do not assemble when tired or when under the influence of alcohol, drugs or medication.
4. Weight and other product properties are only applicable to correctly and completely assembled products.
5. Keep the assembly area clean and well-lit.
6. Keep bystanders out of the area during assembly.

USE PRECAUTIONS



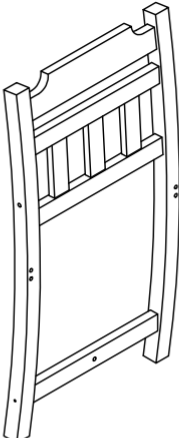
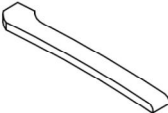
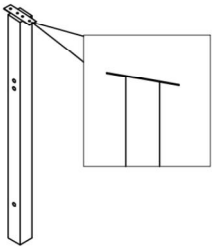
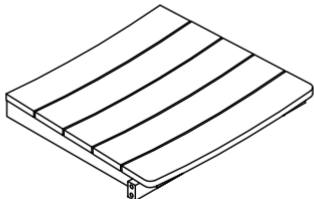
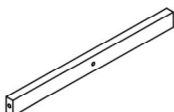
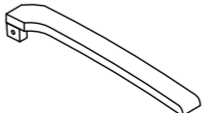
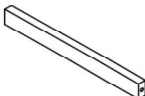






WARNING: TO PREVENT SERIOUS INJURY AND DEATH FROM TIPPING:

1. This product is not a toy. Please keep the product away from children while assembling.
2. Use as intended only. Do not let children play or jump on the product. Do not stand on the item or use as a step ladder.
3. Inspect before every use. Do not use it if parts are loose or damaged.
4. Tighten the lower screws every three months to prevent loosening of the legs.
5. Do not exceed the listed weight capacity. Tighten all knobs secure before applying load. Be aware of dynamic loading! The sudden load

movement may briefly create an excess load, causing product failure.
6. These all-weather items can be stored outdoors year-round. Perfect for people who live in a wet climate or live on the coast where humidity and moisture will be an issue all year

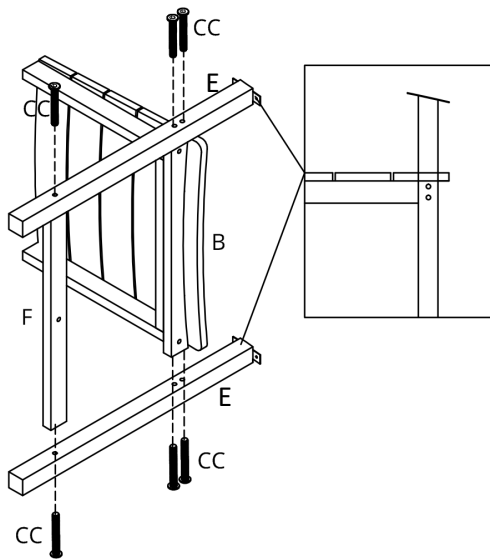
SAVE THESE INSTRUCTIONS

PARTS LIST

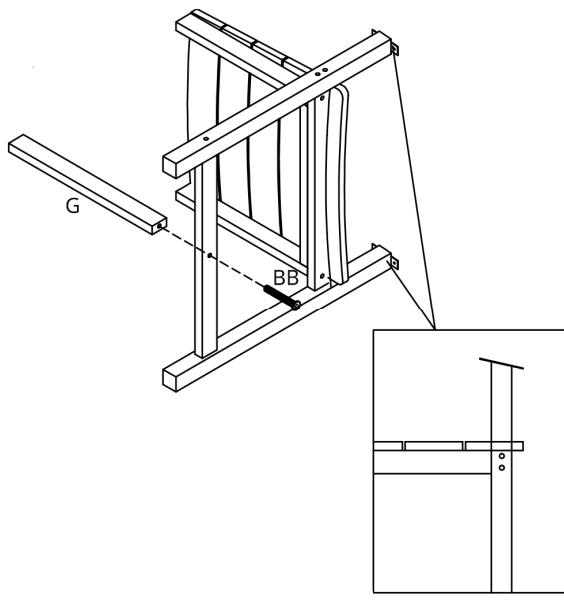
A		1PCS	D		1PCS
			E		2PCS
B		1PCS	F		1PCS
C		1PCS	G		1PCS
			AA	 4*20 Bolt	4PCS
			BB	 M6*50 Bolt	4PCS
			CC	 M6*60 Bolt	6PCS
			DD	 M6*70 Bolt	4PCS
					1PCS
					1PCS

ASSEMBLY STEPS

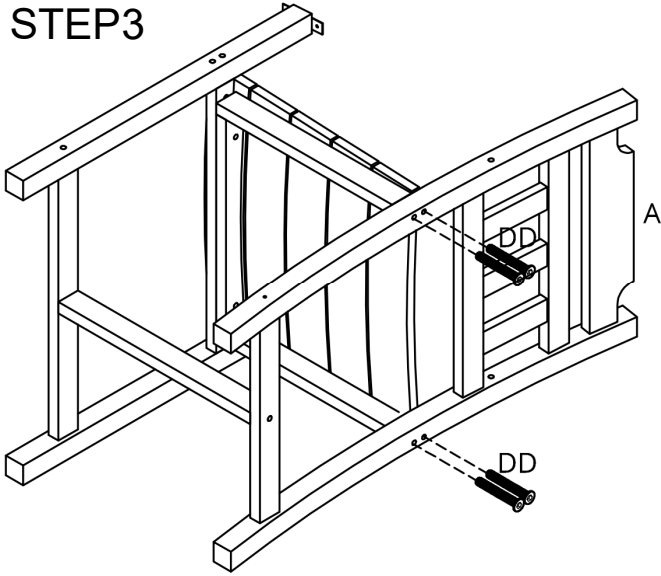
STEP1



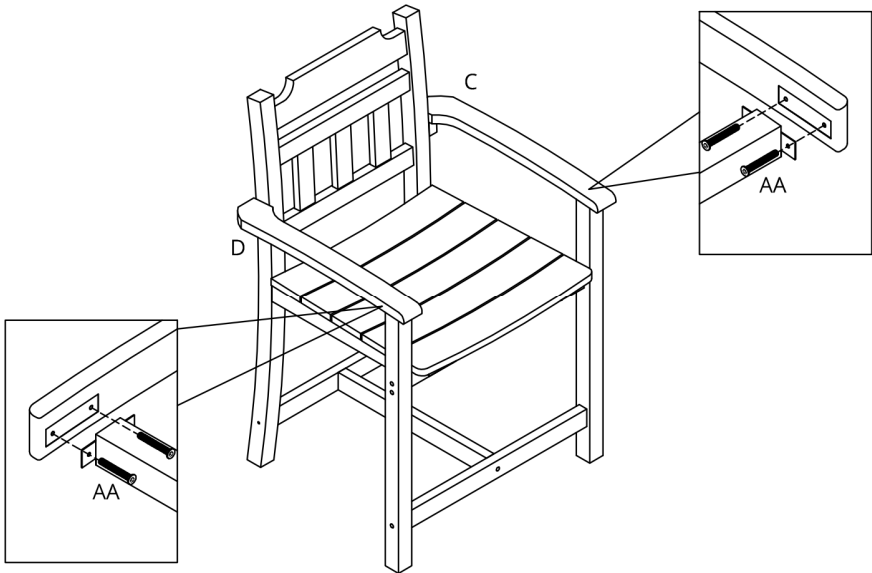
STEP2



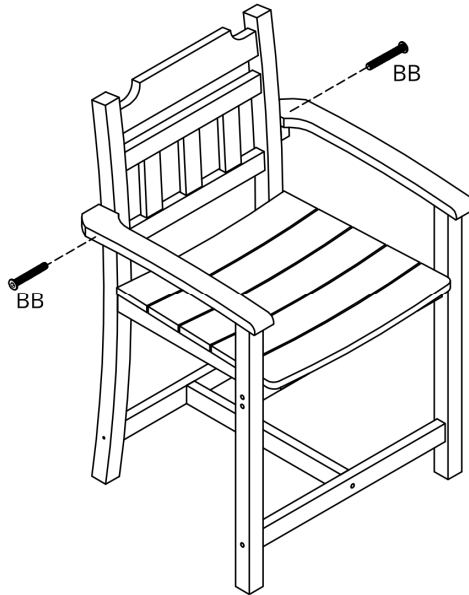
STEP3



STEP4



COMPLETION



Cleaning and Maintenance

- Use a soft, clean cloth that will not scratch the surface when dusting.
- If you run into scratches problems, we suggest you erase the scratches by knife.
- This item could be cleaned with soap and water. Be sure to avoid harsh solvents and abrasives.
- Periodically (every 90 days) make sure the screws are fully tightened.

Sanven Technology Ltd.

Address: Suite 250, 9166 Anaheim Place, Rancho Cucamonga, CA 91730

VEVOR[®]

TOUGH TOOLS, HALF PRICE

Technical Support and E-Warranty Certificate

www.vevor.com/support