

# **VEVOR<sup>®</sup>**

**TOUGH TOOLS, HALF PRICE**

Technical Support and E-Warranty Certificate [www.vevor.com/support](http://www.vevor.com/support)

## **EXECUTIVE CHAIR**

## **USER MANUAL**

**MODEL:GF-82722H**

We continue to be committed to provide you tools with competitive price.

"Save Half", "Half Price" or any other similar expressions used by us only represents an estimate of savings you might benefit from buying certain tools with us compared to the major top brands and does not necessarily mean to cover all categories of tools offered by us. You are kindly reminded to verify carefully when you are placing an order with us if you are actually Saving Half in comparison with the top major brands.

# VEVOR<sup>®</sup>

TOUGH TOOLS, HALF PRICE

## EXECUTIVE CHAIR

MODEL: GF-82722H



**NEED HELP? CONTACT US!**

Have product questions? Need technical support? Please feel free to contact us:

**Technical Support and E-Warranty Certificate**  
**[www.vevor.com/support](http://www.vevor.com/support)**

This is the original instruction, please read all manual instructions carefully before operating. VEVOR reserves a clear interpretation of our user manual. The appearance of the product shall be subject to the product you received. Please forgive us that we won't inform you again if there are any technology or software updates on our product.

## SAFETY INSTRUCTIONS

### **WARNING:**

Read this instructions carefully before using this product. Failure to do so can result in serious injury.

### **Assembly precautions**

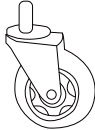

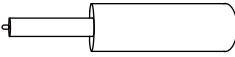
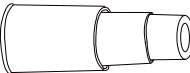
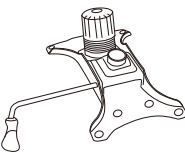

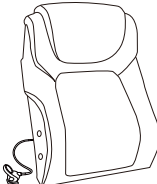





1. Assemble only should be according to these instructions. Improper assembly can result in hazards.
2. Wear ANSI-approved safety goggles and heavy-duty work gloves during assembly.
3. Keep the assembly area clean and well-lit.
4. Keep bystanders out of the area during assembly.
5. Do not assemble when tired or when under the influence of alcohol, drugs or medication.
6. The product capabilities apply to properly and completely assembled products only.
7. Assemble on a flat, level, hard and smooth surface capable of safely supporting the executive chair.
8. For additional information regarding the parts listed in the following pages, please refer to the Assembly Diagram of this manual. Unwrap and separate all parts in a clean work area.

### **Use precautions**

1. Do not exceed weight capacities.
2. Use only on a flat, level, hard and smooth surface capable of safely supporting a fully loaded executive chair.
3. Use as intended only.
4. Inspect before every use; do not use if parts are loose or damaged.

# SAVE THESE INSTRUCTIONS

## PARTS LIST

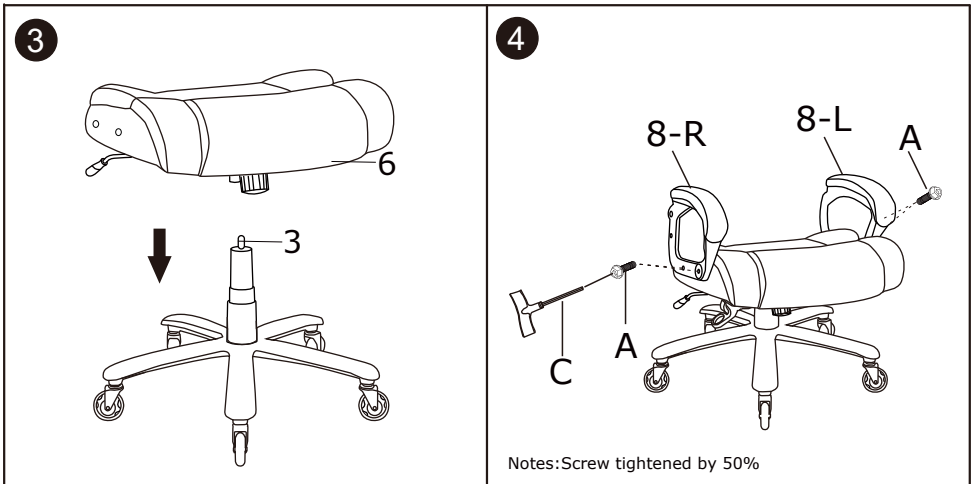
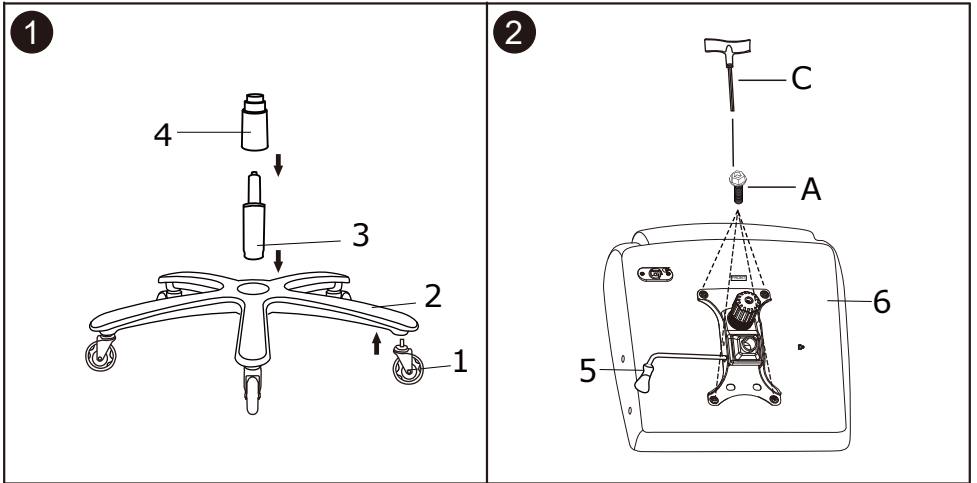
(1)	(2)	(3)	
			
Caster : 5 pcs	Base : 1 pc	Gas Lift : 1 pc	
(4)	(5)	(6)	
			
Gas Lift Cover : 1 pc	Seat Plate : 1 pc	Seat Cushion : 1 pc	
(7)	(8)		
	<div style="display: flex; justify-content: space-around;"> <div style="text-align: center;">8-R </div> <div style="text-align: center;">8-L </div> </div>		
Back Cushion : 1 pc	Armrest: 1 Pair		
<b>Hardware</b>			
A	B	C	
			
1/4x1" Screw : 12 pcs	Cap : 8 pcs	Wrench : 1 pc	

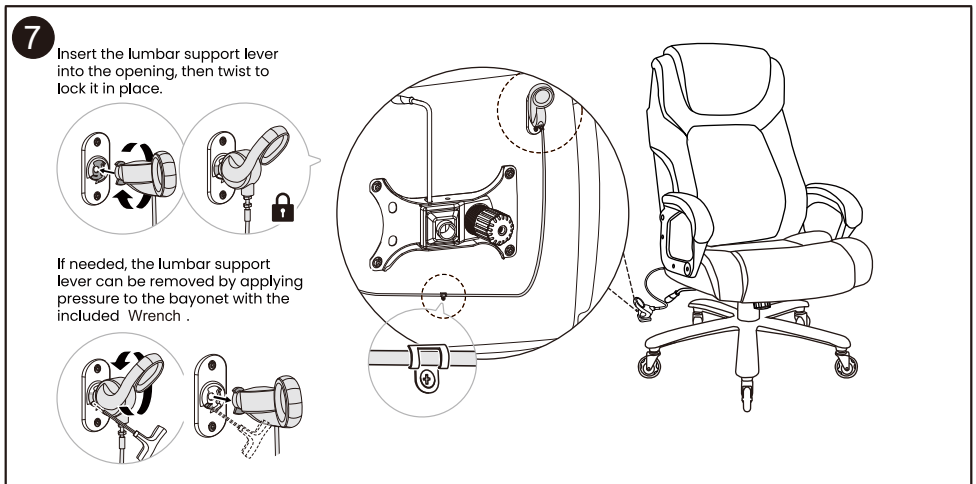
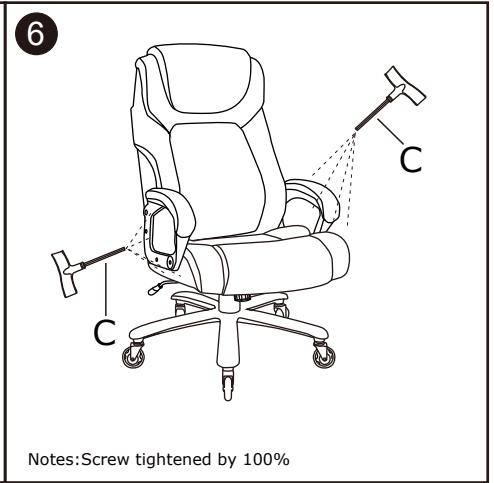
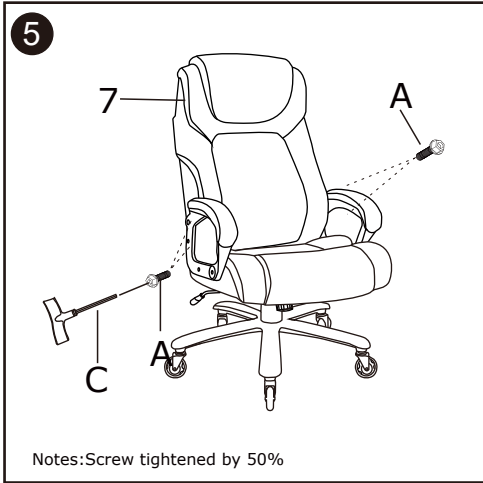
### Spare Parts

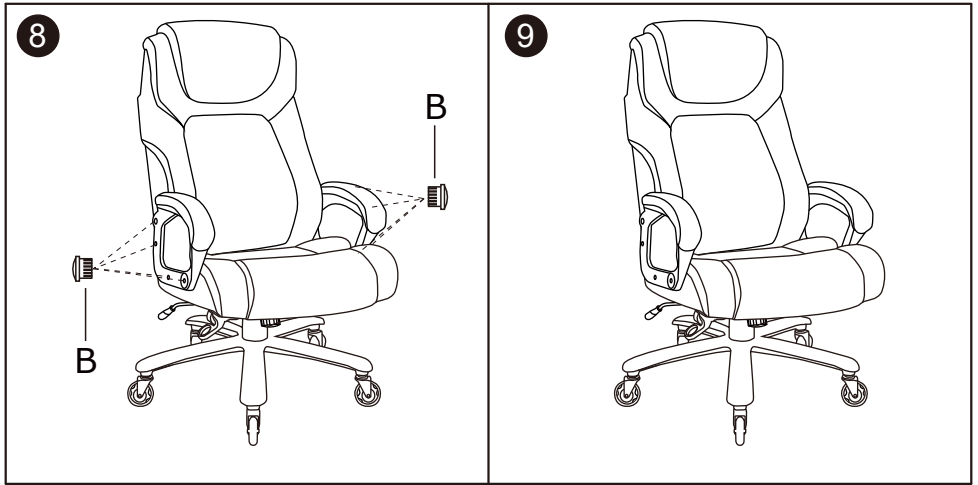
	
1/4x1" Screw : 1 pc	Cap : 1 pc

# ASSEMBLY STEP

—A







## PRODUCT PARAMETER

Package size (mm)	815*445*705
Size (mm)	720W*750D*1145H
N.W (kg)	26
G.W (kg)	29.5
Colour	Black
Lifting range	≤80 mm
Backrest height	770 mm
Backrest width	600 mm
Cushion width	600 mm
Cushion deep	560 mm
Castor material	PU
Main Material	Iron+Plastic+Bonded leather+High rebound sponge
Load-bearing	≤400 lbs



Manufacturer: Shanghaimuxinmuyeyouxiangongsi  
Address: Shuangchenglu 803nong11hao1602A-1609shi, baoshanqu, shanghai 200000 CN.  
Imported to AUS: SIHAO PTY LTD. 1 ROKEVA STREETEASTWOOD NSW 2122 Australia  
Imported to USA: Sanven Technology Ltd. Suite 250, 9166 Anaheim Place, Rancho Cucamonga, CA 91730

<b>EC</b>	<b>REP</b>
-----------	------------

E-CrossStu GmbH  
Mainzer Landstr.69,  
60329 Frankfurt am Main.

<b>UK</b>	<b>REP</b>
-----------	------------

YH CONSULTING LIMITED.  
C/O YH Consulting Limited Office 147,  
Centurion House, London Road,  
Staines-upon-Thames, Surrey, TW18 4AX

**VEVOR<sup>®</sup>**

**TOUGH TOOLS, HALF PRICE**

**Technical Support and E-Warranty Certificate**

**[www.vevor.com/support](http://www.vevor.com/support)**