

VEVOR[®]

TOUGH TOOLS, HALF PRICE

Technical Support and E-Warranty Certificate www.vevor.com/support

FLOOR BIKE RACK

MODEL: XSJ20-T01

We continue to be committed to provide you tools with competitive price.

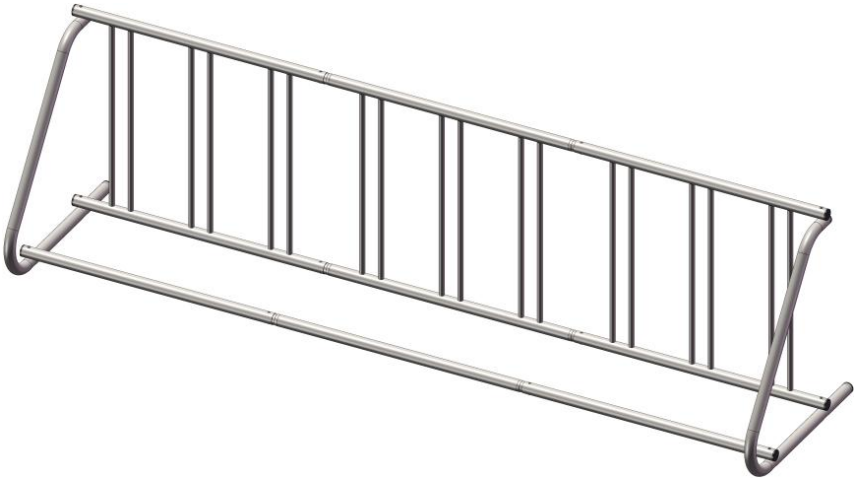
"Save Half", "Half Price" or any other similar expressions used by us only represents an estimate of savings you might benefit from buying certain tools with us compared to the major top brands and does not necessarily mean to cover all categories of tools offered by us. You are kindly reminded to verify carefully when you are placing an order with us if you are actually saving half in comparison with the top major brands.

VEVOR[®]

TOUGH TOOLS, HALF PRICE

FLOOR BIKE RACK

MODEL: XSJ20-T01



NEED HELP? CONTACT US!

Have product questions? Need technical support? Please feel free to contact us:

Technical Support and E-Warranty Certificate
www.vevor.com/support

This is the original instruction, please read all manual instructions carefully before operating. VEVOR reserves a clear interpretation of our user manual. The appearance of the product shall be subject to the product you received. Please forgive us that we won't inform you again if there are any technology or software updates on our product.

IMPORTANT SAFEGUARDS



WARNING: Read and understand this entire manual before operating or servicing this product. Failure to follow these warnings and instructions can cause personal injury or damage to valuable property.

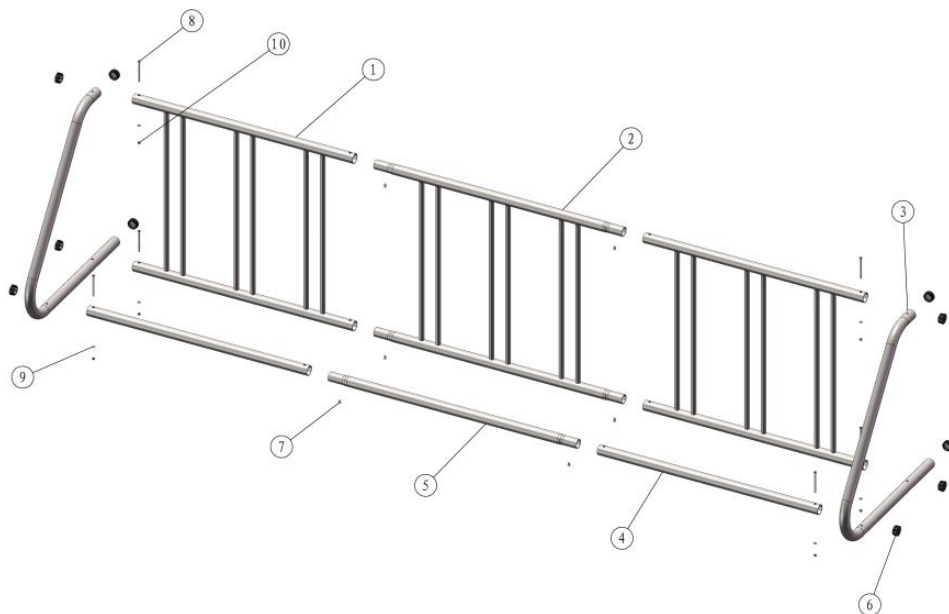
- Avoid children using floor bike rack. And this product is not a toy. Do not allow children to play.
- Keep away from sharp points, blades and other items.
- Assembly precautions
 1. Assemble only according to these instructions. Improper assembly can create hazards.
 2. Wear ANSI-approved safety goggles and heavy-duty work gloves during assembly.
 3. Keep assembly area clean and well-lit.
 4. Keep bystanders out of the area during assembly.
 5. Do not assemble when tired or when under the influence of alcohol, drugs or medication.
 6. Product capabilities apply to properly and completely assembled product only.
 7. For additional information regarding the parts listed in the following pages, please refer to the Assembly Diagram of this manual. Unwrap and separate all parts in a clean work area. Please keep small spare parts out of children's reach.

SAVE THESE INSTRUCTIONS

PRODUCT SPECIFICATIONS:

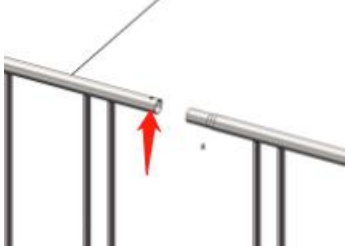

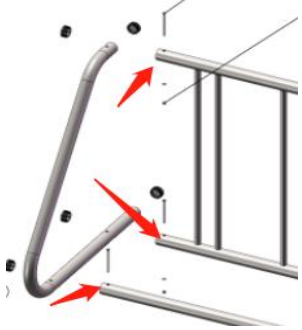
Model#	L (mm)	W (mm)	H (mm)	Number of bikes stored
XSJ20-T01	2837	715	780	9

PACKAGE INCLUDE



Part	Description	Qty
1	middle grid A	2
2	middle grid B	1
3	sidepiece pipe	2
4	joint pipe A	2
5	joint pipe B	1
6	pipe plug	10
7	Bolt M6×12	6
8	Bolt M6×90	6
9	Washer φ6	6
10	Nut M6	6
11	tapeline	1
12	cross-head screwdriver	1

SIMPLE INSTRUCTION

<p>Step1:Connect the middle grid A and B, align it with the mounting hole, and tighten it using m6*12 screw</p>	
<p>Step2:Connect the joint pipe A and B, align it with the mounting hole, and tighten it using m6*12 screw</p>	
<p>Step3:Connect the sidepiece pipe , align it with the mounting hole, and tighten it using m6*90 screw,Washer φ 6 and Nut M6.</p>	
<p>Step4:Cover the pipe plug.</p>	

Address: Baoshanqu Shuangchenglu 803long 11hao 1602A-1609shi
Shanghai

EC REP: SHUNSHUN GmbH. Römeräcker 9 Z2021,76351
Linkenheim-Hochstetten, Germany

UK REP: Pooledas Group Ltd. Unit 5 Albert Edward House, The Pavilions
Preston, United Kingdom

Imported to AUS: SIHAO PTY LTD. 1 ROKEVA STREETEASTWOOD
NSW 2122 Australia

Imported to USA: Sanven Technology Ltd. Suite 250, 9166 Anaheim
Place, Rancho Cucamonga, CA 91730

Made In China

VEVOR[®]

TOUGH TOOLS, HALF PRICE

Technical Support and E-Warranty Certificate

www.vevor.com/support