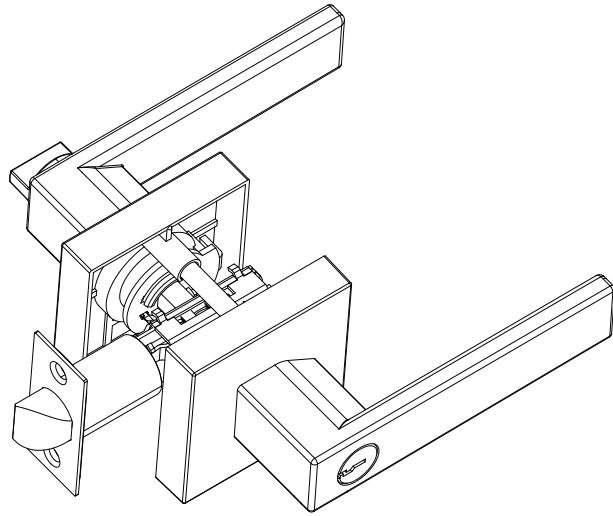


**VEVOR**<sup>®</sup>  
TOUGH TOOLS, HALF PRICE

**D921-ET-BLK**



**NEED HELP? CONTACT US!**

Have product questions? Need technical support?  
Please feel free to contact us:  
Technical Support and E-Warranty Certificate  
[www.vevor.com/support](http://www.vevor.com/support)

This is the original instruction, please read all manual instructions carefully before operating. VEVOR reserves clear interpretation of our user manual. The appearance of the product shall be subject to the product you received. Please forgive us that we won't inform you again if there is any technology or software updates on our product.

1.Product's information

This product use with new technical design and high quality material. Producing with abortive process and strict control,all of the products have the same quality and capability.

2.Product's capability

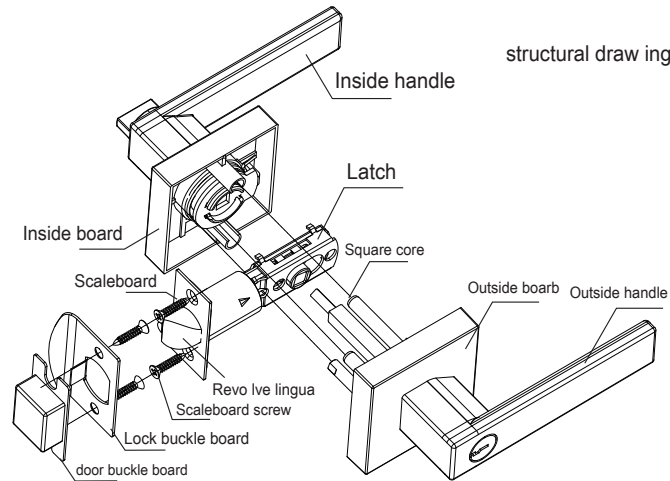
This product suitable for room door lock,bathroom lock,passage lock, room door lock outside use with the key to lock and unlock,inside use knob to lock and unlock:bathroom lock could use the rigidity flat thing to open the lock,when people in hurry outside,inside could revolve the knob to control lock and unlock.

3.Set up method

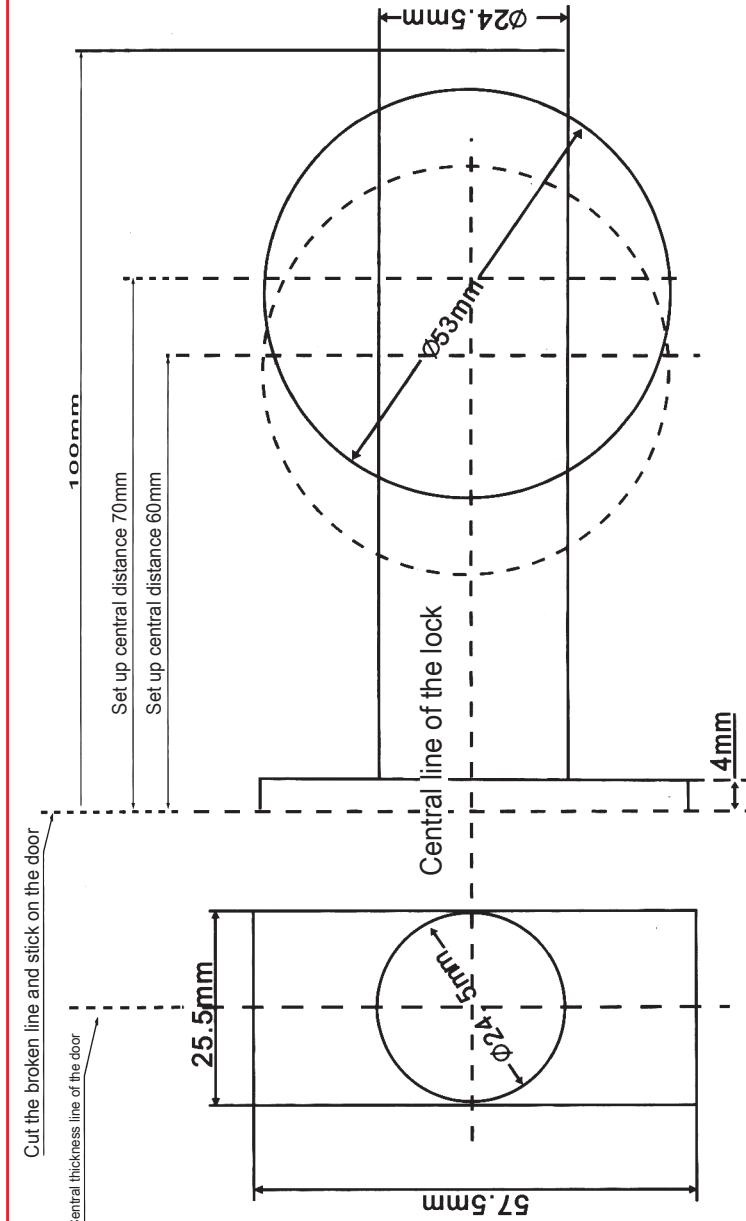
- 1)According to the set up information paper picture open a hole in the right place.suitable door lock thickness between 35mm to 45mm
- 2)Put the latch to the latch hole,make sure the arrow of latch is up, latch face to door closing way.
- 3)Set up the block over,firstly put the block over(with the handle together) into the lock cover,then use the same method to set up the block cover,use screw to fastness the block cover,adjust to the suitable position,try to open the lock with the key,and recover the knob open the lock,if it is fine to open,fastness all the screw.
- 4)Set up the buckle case sang buckle board in the right position on the door.

4.Use manual and safety

- 1)Unchain the room lock safety:put the key in the lock and revolve 90 with clockwise or put the knob horizontal when you are inside,then open the lock safety.
- 2)Chain the room lock safety:put the key in the lock and revolve 90 with anti-clockwise or put the knob vertical,then close the lock safety.
- 3)Set up the lock after the oil paint dry,avoid any cankerous things form the board and the handle,avoid the spindle things touch the board and handle.



**SET UP INFORMATION PAPER PICTURE**



**Address:** Shuangchenglu 803nong11hao1602A-1609shi, baoshanqu, shanghai 200000 CN.

**Imported to AUS:** SIHAO PTY LTD, 1 ROKEVA STREETEASTWOOD NSW 2122 Australia

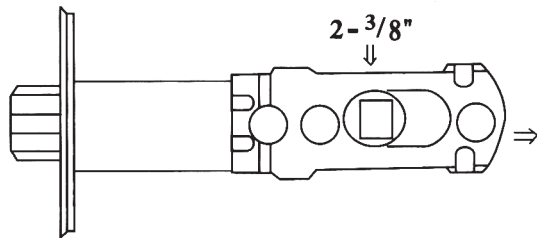
**Imported to USA:** Sanven Technology Ltd., Suite 250, 9166 Anaheim Place, Rancho Cucamonga, CA 91730

EC	REP
----	-----

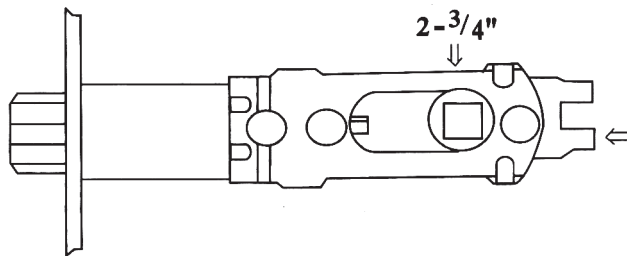
E-CrossStu GmbH  
Mainzer Landstr.69, 60329 Frankfurt am Main.

UK	REP
----	-----

YH CONSULTING LIMITED.  
C/O YH Consulting Limited Office 147, Centurion House,  
London Road, Staines-upon-Thames, Surrey. TW18 4AX



THE LATCH IS SET 2-3/8" TO ADJUST TO 2\*3/4"  
PULL OUT THE REARPART.



THE LATCH IS SET 2-3/8" TO ADJUST TO 2\*3/4"  
PUSH IN THE REARPART.

**Safety:**

If you use the latch set up central distance is 60mm, please use with the broken line to open hole.

If you use the latch set up central distance is 70mm, please use with the broken line to open hole.

**VEVOR**<sup>®</sup>  
TOUGH TOOLS, HALF PRICE

Technical Support and E-Warranty Certificate  
[www.vevor.com/support](http://www.vevor.com/support)

## Door Handle lock

We continue to be committed to provide you tools with competitive price. "Save Half", "Half Price" or any other similar expressions used by us only represents an estimate of savings you might benefit from buying certain tools with us compared to the major top brands and does not necessarily mean to cover all categories of tools offered by us.

You are kindly reminded to verify carefully when you are placing an order with us if you are actually saving half in comparison with the top major brands.

**VEVOR**<sup>®</sup>  
TOUGH TOOLS, HALF PRICE

Technical Support and E-Warranty Certificate  
[www.vevor.com/support](http://www.vevor.com/support)