

# **VEVOR<sup>®</sup>**

## **TOUGH TOOLS, HALF PRICE**

Technical Support and E-Warranty Certificate

[www.vevor.com/support](http://www.vevor.com/support)

### **CHILD BICYCLE TRAILER**

**MODEL: JBT02A1**

We continue to be committed to provide you tools with competitive price.

"Save Half", "Half Price" or any other similar expressions used by us only represents an estimate of savings you might benefit from buying certain tools with us compared to the major top brands and does not necessarily mean to cover all categories of tools offered by us. You are kindly reminded to verify carefully when you are placing an order with us if you are actually saving half in comparison with the top major brands.



# VEVOR®

TOUGH TOOLS, HALF PRICE

## CHILD BICYCLE TRAILER

MODEL: JBT02A1



### NEED HELP? CONTACT US!

Have product questions? Need technical support? Please feel free to contact us:

**Technical Support and E-Warranty Certificate**  
**[www.vevor.com/support](http://www.vevor.com/support)**

This is the original instruction, please read all manual instructions carefully before operating. VEVOR reserves a clear interpretation of our user manual. The appearance of the product shall be subject to the product you received. Please forgive us that we won't inform you again if there are any technology or software updates on our product.

## SAFETY INSTRUCTIONS

### **WARNING**

**Do read instructions before driving. Failure to comply with the instructions and warnings in this manual could result in serious injury or death.**

- The maximum weight capacity per child is 55lbs.

The total weight capacity of trailer can't exceed 110 lbs.

- Max recommended trailer speed is 10mph. Always maintain a safe speed.
- Do not use the trailer on rocky roads or other dangerous roads.
- Never leave children in or near the trailer unattended.
- Never have more than two children in the trailer at one time.
- Never use with children who cannot support their own head.
- Never use the trailer with children who cannot sit unaided.
- Bicycle riders using the trailer must be 18 years old or older and must be in good physical condition.
- Riders and children must wear approved safety helmets.
- Recommended passenger age is at least 12 months old and weighing up to 55lbs.
- Assemble trailer strictly according to this instruction manual.
- Never park the trailer near a trench or dangerous road.
- Check tire air pressure before every trip.
- If necessary inflate the tires to within the range shown on the tire sidewall.

Always use a foot or hand pump to inflate the tires.

- Overinflation of tires may result in failure and risk of serious injury.

Do not exceed maximum pressure as shown on tires.

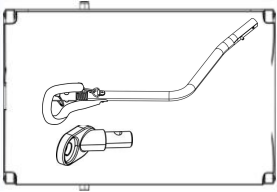
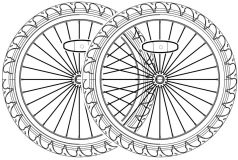


- Check that the bicycle is in proper technical condition.
- Always check the proper connection of the coupling.
- Always have the canopy in place.
- Take proper precautions while riding in traffic, especially when turning.
- Always check that all parts of the trailer are connected properly and tightly.

- Do not use trailer with motorized vehicles. Increased speed of motorized bicycles can damage the trailer and cause injury.
- Avoid serious injury from falling or sliding out. Always use the safety harness.
- Take extra precautions when using in the rain. Ride slowly and allow a greater margin of safety when starting, stopping, and turning.
- Do not ride on surfaces where sand, gravel, ice, oil, or slippery substances are present.
- Never tow the trailer over curbs, stairs or escalators. If you must travel through stairs, have children get out of the trailer, disconnect the trailer from the bike and take it over the stairs independently.
- Never use bike trailer without provided safety flag and reflectors.
- Do not make any modifications to the trailer which may increase the risk of failure.
- Check the trailer for damage. Do not use if damaged.
- Be sure the fasteners are tight. Tighten if necessary.
- Be sure the brakes work properly. Braking distance is increased when pulling a trailer.
- The trailer requires a wide turning radius. Do not turn sharply. Sharp changes in direction may cause a tip over.
- The assembly can only be carried out by an adult.
- **Use caution when turning on loose or uneven surfaces and when going downhill.**
- **Allow extra clearance for the trailer when near curbs, parked cars, and other obstacles.**
- **Do not ride over curbs, bumps or holes.**
- **Do not use the trailer in hazardous weather.**
- **Do not pull or push the trailer with a vehicle.**
- **This product is not suitable for running or skating.**
- **Red reflectors must be visible on the rear of the trailer.**
- **Never ride a bicycle at night without adequate lighting. Obey all local legal requirements for lighting.**

## MODEL AND PARAMETERS

<b>Model</b>	JBT02A1
<b>Type</b>	Tow
<b>Max. Load</b>	110lbs
<b>Seating</b>	2
<b>Inner Bin Size</b>	30.7*23.6*22.4inch
<b>Wheels</b>	16inch
<b>Color</b>	Light Blue & Darkgray
<b>Material</b>	Steel, Oxford cloth, PVC

## PARTS LIST

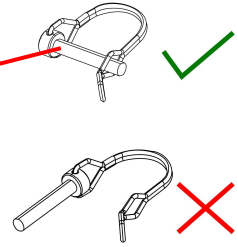
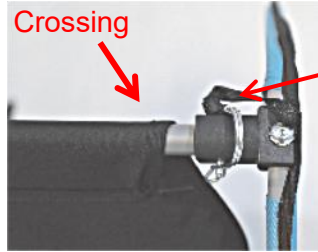
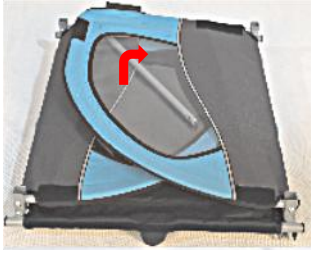
	
1 x Main frame	2 x Wheels
	
1 x Flag	1 x User Manual

## HOW TO ASSEMBLE AND USE

### Unfold the Frame:

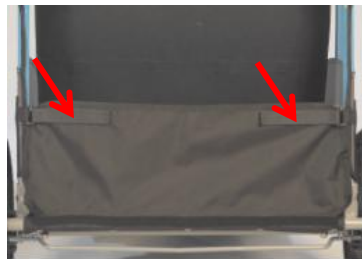
1. Raise both side panels to an upright position
2. Wearing the top of back seat cloth into the cross bar and locking the pin into the latch.

3. Ensure the cross bar is locked into place by pulling up and down on it.



### **Attach The Storage Area:**

1. Insert the velcro into the buckle on side panels.
2. Attach the velcro tightly.



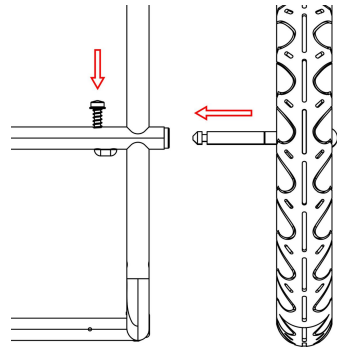
### **Attach The Canopy:**

1. Starting at the bottom corner of the trailer, connect the velcro on each side and back walls of the trailer.
2. Roll the weather shield up into the velcro at the top of the canopy if you are not using it .



## **Attach The Rear Wheels:**

1. Press the axle spring lock under the frame. At the same time insert the axle of the wheel into the wheel hole.
2. Until the axle of wheel can not be pushed, then release the spring lock.

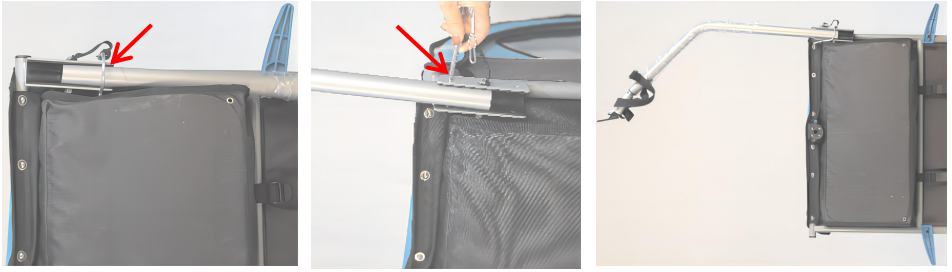


**WARNING:** Wheels that are not securely locked in place may fall off the trailer and cause serious injury or death. Always ensure the wheels are securely locked in place before use !

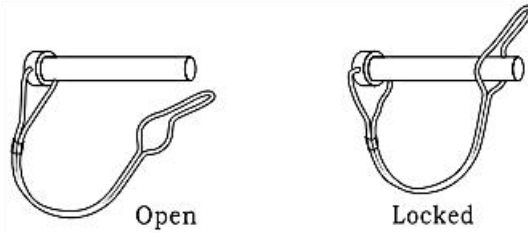
## **Extend And Secure The Tow Bar:**

1. Place the trailer on its side with the tow bar facing up.
2. Remove the locking pin from the tow bar bracket.
3. Rotate the tow bar to front of the trailer.
4. Insert the locking pin completely through the hole in the end of tow bar and bracket.
5. Slide the end of the metal safety loop over the end of the locking pin. Ensure the locking pin is securely in place.



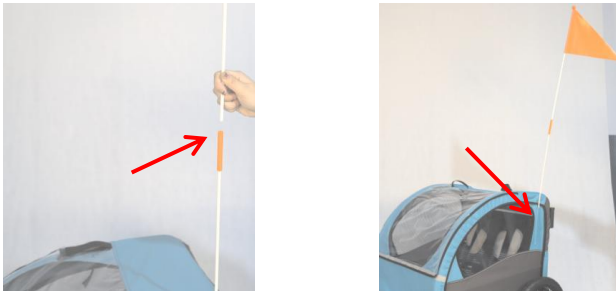


**WARNING:** Both safety pins must be locked in place before using trailer. Otherwise roll bar or tongue could shift and cause an accident or serious injury.



**Insert The Safety Flag:**

1. Assemble the flag pole sections by sliding the top half of the pole into the opening of the bottom half of the pole.
2. Insert the flag pole into the sleeve located at the rear corner of the trailer.



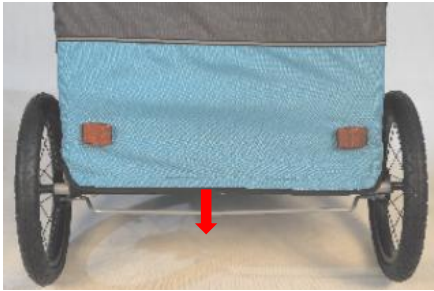
**WARNING:** The safety flag is an important safety feature that warns others a trailer is present and on the bicycle. Always have the safety flag on the trailer when in use !

**Using The Parking Brake:**

The parking brake prevents the bicycle trailer from unintentionally rolling away when stationary. It is not suitable for braking a rolling bicycle trailer. Always apply the parking brake when you:

- 1.) Park the jogger or buggy.

2.) Allow your child to get in and out of the trailer when using it as a jogger, buggy or bicycle trailer.



1. Push down the brake rod by foot until the end of rod slides into the socket attached to the rear wheels.

2. Pull up the brake rod by foot or hand when releasing the brake.

**WARNING:**

Always apply the parking brake after parking the trailer and when getting in and out of the trailer with the children. Check that the trailer cannot roll away by pulling it slightly forwards and backwards. An unsecured trailer could cause accidents with life-threatening injuries by rolling away or could roll away when getting in or out of the trailer, causing serious injuries to the children.

- Always engage parking brake at each stopover.
- If the rod can't be slid into socket easily, try to move the trailer forward slowly until brake is working.
- Never drive with the parking brake applied! This can damage the brake mechanism.

**Using The Bumper Guard:**

Open and fold the plastic bumper guard by rotation.



## **Using The Safety Harness:**

1. Unbuckle the should straps from the center of the lap buckle.
2. Seat each child in the center of each passenger compartment.
3. Place the lap buckle between the child's legs.
4. Place the shoulder straps over each child's shoulders with the waist belt under the child's arm.

**Important:** Adjust the straps so the lap buckle meets at the child's stomach.

5. Clip the shoulder straps into the lap belt buckle, and adjust the shoulder straps.



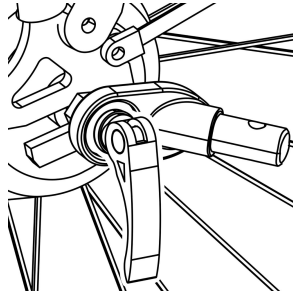
## **WARNING:**

- Avoid serious injury from falling or sliding out. Always properly secure the passengers with the safety harness.
- It may be dangerous to leave your child unattended. Never leave your child unattended in or near the bicycle trailer.
- Never transport babies under 6 months or children who cannot yet sit independently.

## **Attaching The Trailer to Bicycle:**

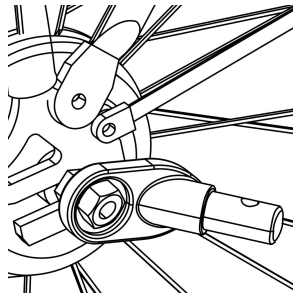
Check whether the towing bike is approved by the manufacturer for towing trailers! Pulling trailers with an unsuitable towing bike can lead to frame fractures and accidents with life-threatening injuries.

**1. Quick-release Axle:** Remove the quick-release from the left side of bike's rear axle. Install the hitch between the quick-release and frame. Tighten the quick-release following the bike manufacturer's manual. Hitch can remain on the bike when the trailer is removed .



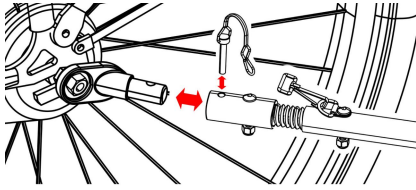
**WARNING:** The tension-adjusting nut must engage the threads for at least five full turns in order to ensure adequate clamping force for holding the rear wheel securely. Failure to tighten the tension-adjusting nut fully may result in accidents with serious injury or death. If the quick-release skewer is too short, it must be replaced. Consult a professional bicycle mechanic for the appropriate parts and assistance.

**2. Nutted Axle:** Unscrew the nut with washer from the left side of bike's rear axle. Install the hitch onto the axle and screw the nut back on with the washer.

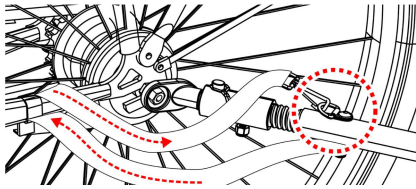


**WARNING:** The axle nut must engage the threads for at least five full turns in order to ensure adequate clamping force for holding the rear wheel securely. Failure to tighten the nut fully may result in accidents with serious injury or death. If the axle is too short, the Universal Hitch cannot be used! Consult a professional bicycle mechanic for the appropriate parts and assistance.

**3. Thru Axle:** The universal hitch doesn't fit a bike with thru axle. Please consult the retailer for possible solution.



Connect the coupler on the tow bar and secure the safety pin.



Once the tow bar is attached, wrap safety belt around the frame of the bike and hook onto the D-ring on the tow bar.

## Before You Ride

### Check before each use:

1. Wheels are properly secured to the trailer.
2. Tires are inflated to recommended pressure on the tire side wall.
3. Tow bar is properly secured to the trailer.
4. Hitch is properly secured to the bicycle.
5. All safety pins are securely locked in place.
6. Safety strap on the tow bar is properly installed.
7. Make sure that bicycle is in proper working order, especially brakes and tires (refer to bicycle manufacturer's instructions).
8. Safety flag is in place.

## MAINTENANCE

Maintain and clean the trailer regularly to keep it in good condition for a long time.

- Check your trailer and accessories regularly for damage and signs of wear.
- Check all metal components for possible breaks or cracks. Do not use the trailer if any metal components are cracked or damaged.
- Check the trailer for bent, defective, missing or loose fasteners or catches. Tighten loose fasteners or catches and replace damaged or missing parts.
- Inspect the fabric regularly for tears, worn spots or other signs of damage.
- Clean the child carrier regularly with warm water and a mild soap solution. Never use aggressive cleaning agents or solvents.

- Clean the wheel axles and lubricate all exposed moving parts with grease or oil. Always check the wheels and carry out maintenance at least once a year.

**Storage:**

- Store your trailer and accessories in a dry place out of direct sunlight.
- Before storage, the child carrier must be dry to prevent the formation of mould or bacteria.

**Manufacturer:** Shanghaimuxinmuyeyouxiangongsi

**Address:** Shuangchenglu 803nong11hao1602A-1609shi, baoshanqu, shanghai 200000 CN.

**Imported to AUS:** SIHAO PTY LTD. 1 ROKEVA STREETEASTWOOD NSW 2122 Australia

**Imported to USA:** Sanven Technology Ltd. Suite 250, 9166 Anaheim Place, Rancho Cucamonga, CA 91730



E-CrossStu GmbH  
Mainzer Landstr.69, 60329 Frankfurt am Main.



YH CONSULTING LIMITED.  
C/O YH Consulting Limited Office 147, Centurion House, London Road, Staines-upon-Thames, Surrey, TW18 4AX



**VEVOR<sup>®</sup>**

**TOUGH TOOLS, HALF PRICE**

**Technical Support and E-Warranty Certificate**

**[www.vevor.com/support](http://www.vevor.com/support)**