

VEVOR[®]

TOUGH TOOLS, HALF PRICE

Technical Support and E-Warranty Certificate www.vevor.com/support

Farmhouse Sink User Manual

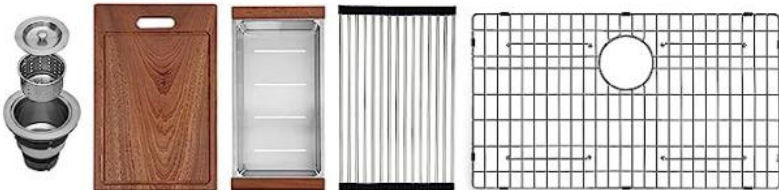
We continue to be committed to provide you tools with competitive price.

"Save Half", "Half Price" or any other similar expressions used by us only represents an estimate of savings you might benefit from buying certain tools with us compared to the major top brands and does not necessarily mean to cover all categories of tools offered by us. You are kindly reminded to verify carefully when you are placing an order with us if you are actually saving half in comparison with the top major brands.

VEVOR[®]

TOUGH TOOLS, HALF PRICE

Farmhouse Sink



NEED HELP? CONTACT US!

Have product questions? Need technical support? Please feel free to contact us:



CustomerService@vevor.com

This is the original instruction, please read all manual instructions carefully before operating. VEVOR reserves a clear interpretation of our user manual. The appearance of the product shall be subject to the product you received. Please forgive us that we won't inform you again if there are any technology or software updates on our product.

Technical Specifications

	Model	N. W.	G. W.	Carton Size
SKU2	TXHW302209RS1	34.5 LBS (15.65kg)	43.1 LBS (19.55 kg)	34*26*12 inch (870*660*310 mm)
SKU4	TXHW332209RS1	36.7 LBS (16.65 kg)	45.4 LBS (20.6 kg)	37*26*12 inch (947*660*310 mm)
SKU5	TXHW362209RS1	38.4 LBS (17.4kg)	47.4 LBS (21.5 kg)	40*26*12 inch (1010*660*310 mm)

SAFETY



Note / Remark.



Caution / Warning.



Read the instruction manual.



Read this material before using this product. Failure to do so can result in serious injury. Save This Manual.



Assembly precautions

- **WARNING:** Metal edges may be sharp and cause severe cuts. Use gloves and be careful.
- An experienced, licensed professional installer is recommended to install this farmhouse sink.
- Cabinet must be installed, secured, plumb, and level. Our farmhouse sinks should only be fastened to a solid surface countertop.
- **IMPORTANT:** INSPECT the sink prior to installation to ensure it has not been damaged during shipping. We are not responsible for sink or countertop if damaged during installation.
- Make sure that you have all necessary parts by checking the parts list.

- For easier installation, install the strainer assemblies to the sink prior to installation.
- Follow all local plumbing and building codes.

NOTE: Keep the box and packaging materials until completely finished. Need help? Contact us(the seller) via email through Amazon account.



Use precautions

TO PREVENT SERIOUS INJURY AND DEATH FROM TIPPING:

1. Clean it after each use! Rinse thoroughly and use soft towel to dry the sink.
2. Clean your sink on regular basis with warm soapy water. Rinse and dry the sink after using cleaning products.
3. Clean up as soon as possible once used any chemical or corrosion products.
4. To prevent scratches, wipe it along with the brushed direction.
5. Always use the bottom grid to protect your sinks.

NOTE: ANY stainless steel sink can show rust if steel wool pads are used on it. Steel wool or metal scouring pads should never be used as they will leave a residue of small iron particles. They may not be readily visible, but they will lead to rusting and corrosion. If it happens, scrub the rusty spot properly by a nylon scrubber.



WARNING!

DO NOT let comfort or familiarity with product (gained from repeated use) replace strict adherence to the product safety rules. You can suffer serious personal injury if you use this product unsafely or incorrectly.

Installation Instructions

Note: Please open the hole according to the opening plate. Opening the hole after receiving goods is recommended to avoid mildew and reduce bacterial growth.

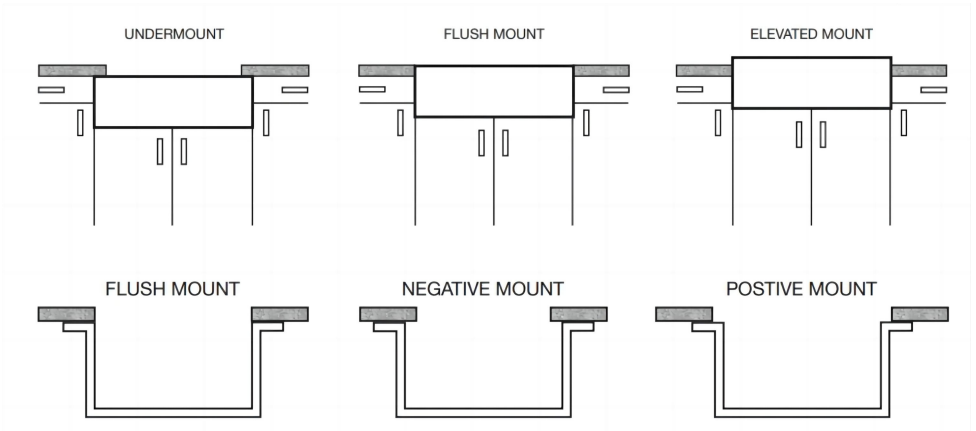
Warm suggestions: because the installation is more complicated, please choose a professional with installation experience for installation

Recommended Tools & Materials

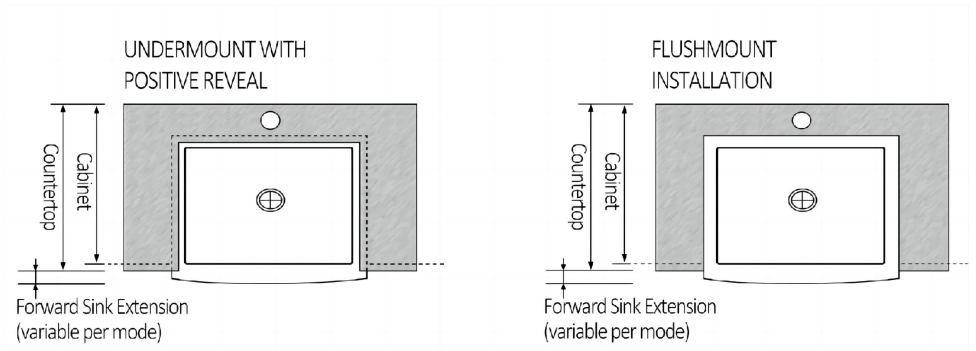
- Tape Measure Safety Goggles Painter's Tape Level
- Framing Square Felt-tip Marker/Pencil Scissors Utility Knife
- Saw Phillips Screwdriver Silicone Sealant Shims and cabinet fillers
- Drill Denatured Alcohol

NOTE: Specialized tools or materials may be necessary to install this kitchen sinks with countertop materials other than wood, marble or granite.

Determine Reveal Type



CAUTION: Proper space for faucet installation is needed. Ensure adequate clearance behind the sink for any faucet, plumbing and back-splash, as well as full range of motion for faucet spouts and handles



Typical undermount installation with 1/4" positive reveal on 3 sides is recommended.

Installation Steps:

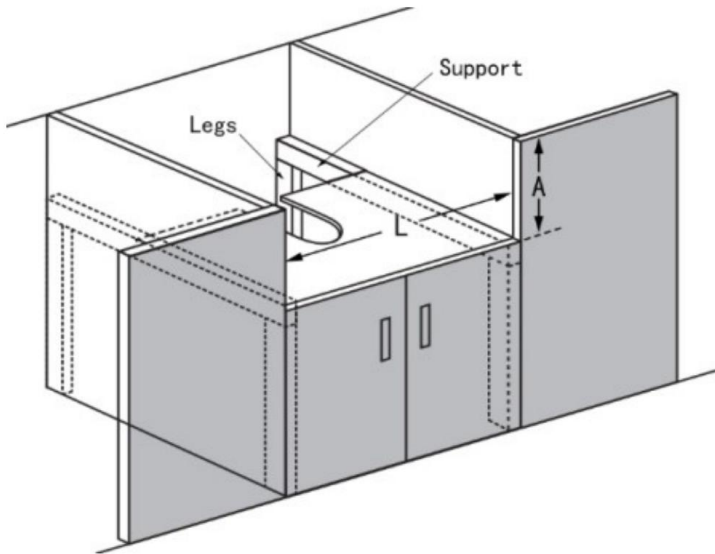
Step 1. Cut the cabinet & countertop

Depending on the installation option, make proper cutout of the countertop.

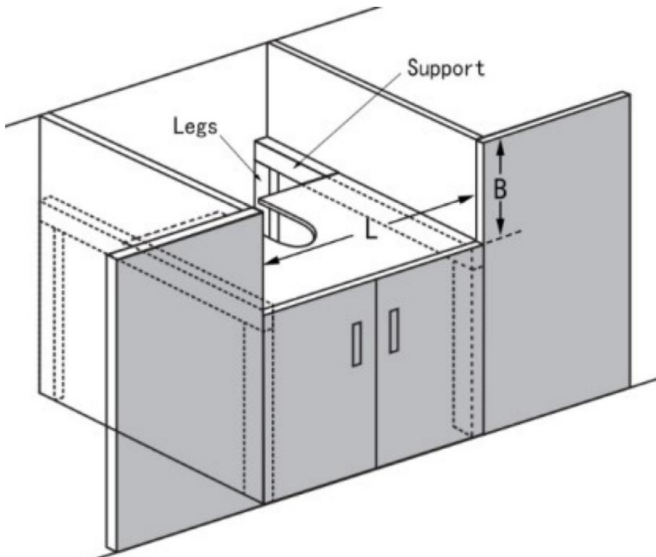
1. We recommends a 1/4" reveal on 3 sides when installed undermount installation.
2. For a flush mount or above counter installation, cut countertop along with outside of sink profile.
3. Make sure the front cut-out of cabinet and countertop cut-out accurately against the actual height and length of Apron Sink to ensure a proper sized cut-out (Dimension A = Sink Apron Height).
4. No template is provided due to the custom nature of each application and installation. The actual sink is used as the template guide for each installation. After centering the sink and allowing for faucets and back-splashes, use a pencil to outline the sinks as your guide for the cutout, allowing for any reveal before the actual cutting

Note: Allow clearance for water supply line and drains or garbage disposal, as necessary.

UNDERMOUNT INSTALLATION(Dimension A = Sink Apron Height)



FLUSHMOUNT INSTALLATION (Dimension B = Sink Apron Height - Stone Thickness)



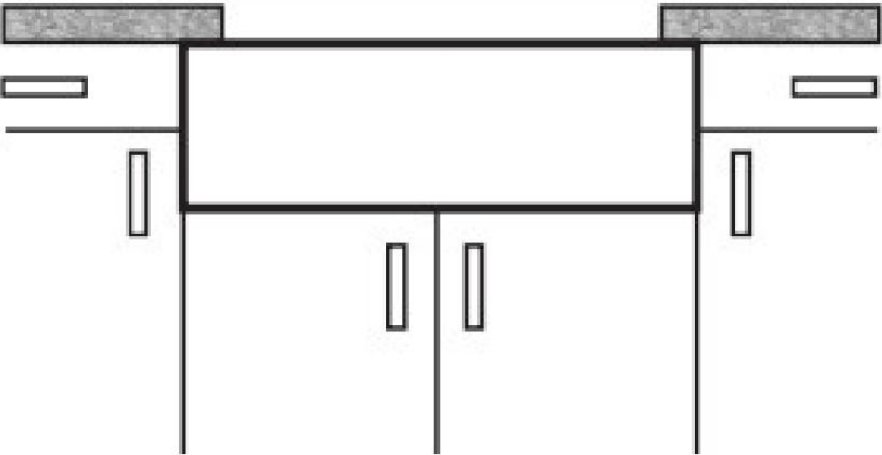
Step 2. Set up structural supports on the inner frame of the sink base cabinet.

Ensure the structural supports can carry the weight of the sink and any attachments such as garbage disposals. Allow clearance for water supply line and drains or garbage disposal, as necessary.

When the sink is placed onto the cabinet support, make sure the top of the sink is evenly flush against the bottom of the countertop.

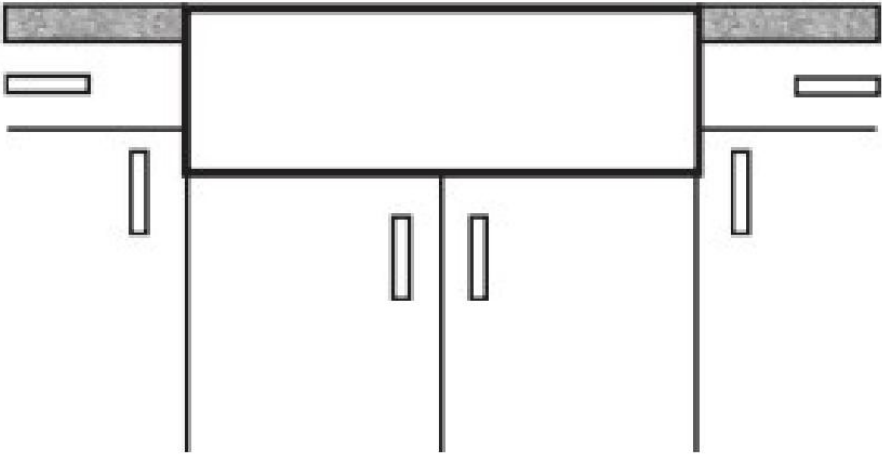
UNDERMOUNT INSTALLATION

When the sink is placed onto the cabinet support, make sure the top of the sink is evenly flush against the bottom of the countertop.



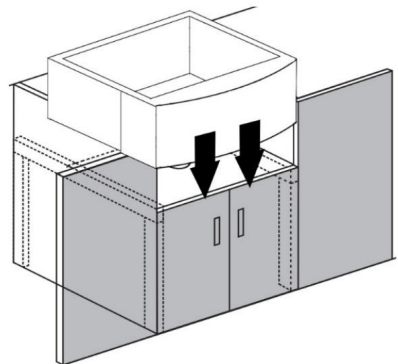
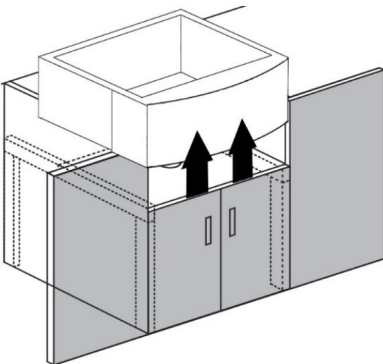
FLUSHMOUNT INSTALLATION

When the sink is placed onto the cabinet support, make sure the top of the sink is evenly flush against the top of the countertop.

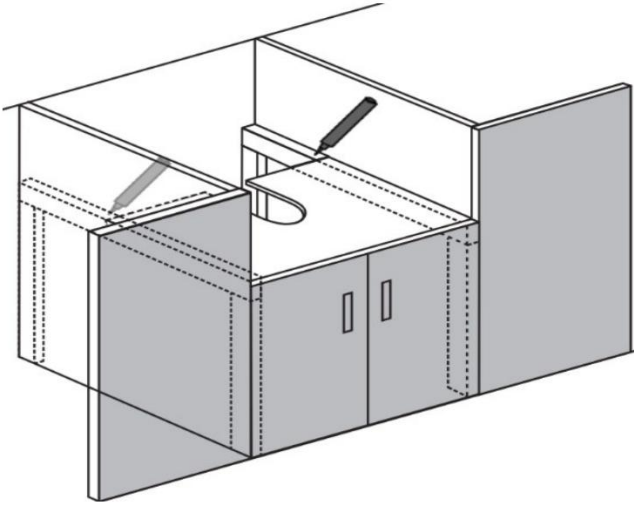


Step 3. Check the alignment of the sink to the supports:

Place the sink onto the sink to check if the sink is resting on it and then remove the Apron Sink.

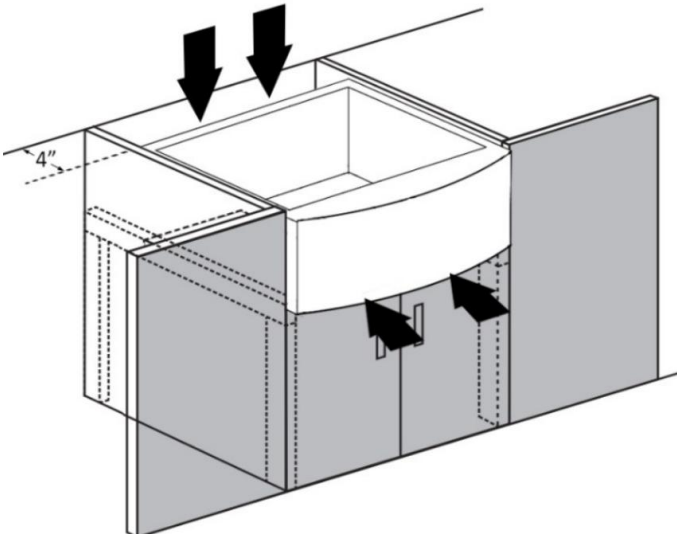


Step 4. Apply the silicone sealant to the top of each support:



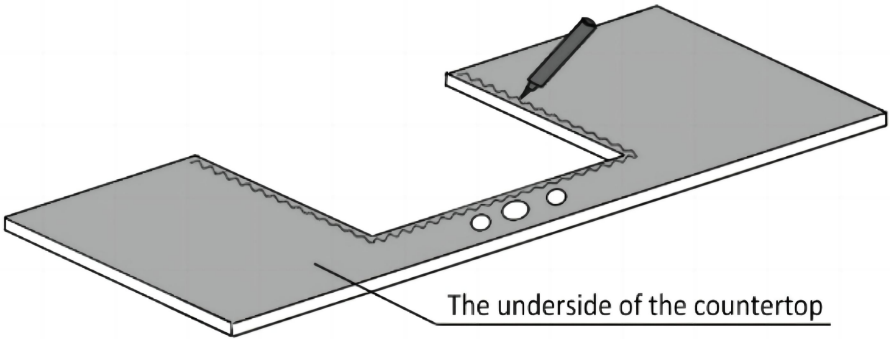
Step 5. Place the sink onto the support in a proper position:

Adjust the position of Apron Sink at least 4" between the back of the cabinet to allow faucet installation.



Step 6. Clean the countertop & Apron Sink with denatured alcohol.

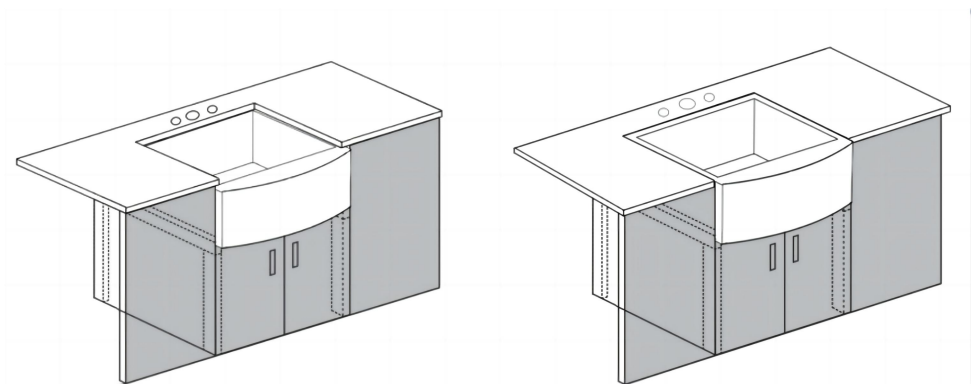
Step 7. Apply a narrow bead of silicone adhesive sealant evenly all around the underside of the countertop



Step 8. Cover the countertop on the sink:

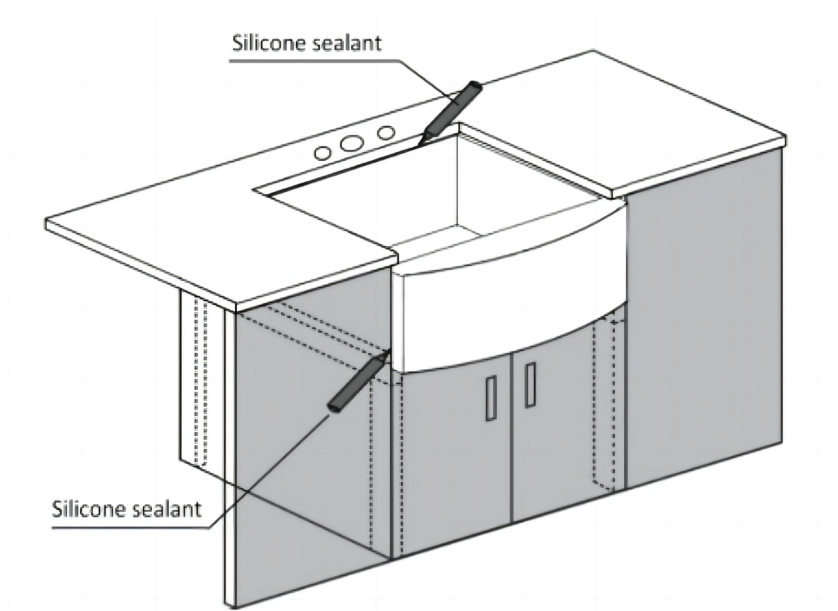
UNDERMOUNT INSTALLATION

FLUSHMOUNT

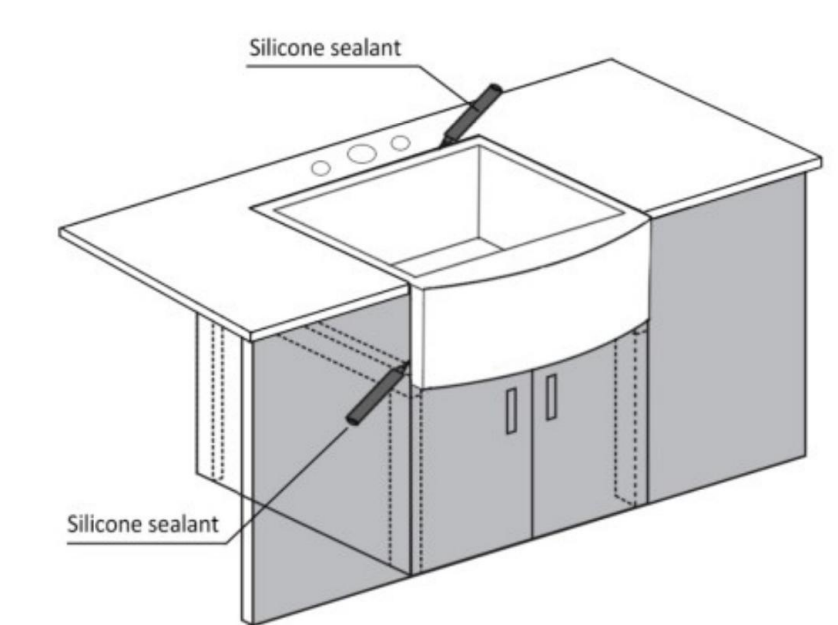


Step 9. Apply the silicone sealant to the joints between the sink and the cabinet and the countertop if necessary.

UNDERMOUNT INSTALLATION



FLUSHMOUNT INSTALLATION



Step 10. Remove excess sealant immediately. And promptly clean up and dry the sink after installation.

MAINTENANCE/ Service

In order to extend the service life of the sink, customers should pay attention to the maintenance of the sink after buying the sink. The specific maintenance and cleaning methods are as follows:

1. The decoration of the house should pay attention to the window ventilation to avoid the decoration materials issuing corrosive gas, and oxidation of the sink's surface, resulting in floating rust in the sink.
2. Can not directly cut items on the sink, can not be hard or rusty items in contact with the sink for a long time or stored for a long time, do not use steel wire ball to scrub the sink, the residual iron elements in the sink will also cause floating rust, but also scratch the sink.
3. Please use a sponge or cloth; if cleaning with a cleaning agent, please choose a neutral cleaning agent and gently scrub.
4. The surface of the tank should not contact the water containing heavy metals (heavy water). Due to the heavy content of gold, the subordinate water will cause the tank discoloration and rust spots. If this phenomenon occurs, please immediately dry the tank with a towel.
5. The sink should try to avoid prolonged contact with strong bleach powder, household chemicals and soap.
6. If this happens, clean it with water and dry the sink with a towel immediately.
7. Clean the sink using a neutral detergent in case the sink appears "floating rust" or "mildew." The toothpaste can be coated in the rust point and spots and scrubbed clean with a rag.
8. If there is a chemical agent, cleaning agent, paint, oil pollution and other residues in the tank, please clean it immediately.

Disposal

This products should be disposed of in accordance with local regulations. If you are unsure how to proceed, contact your local authority.

Only qualified technicians are authorized to undertake the repair of Farmhouse Sink.

For your safety , please observe all safety notes, precautions, and details in this manual.

Warranty

1.This warranty shall only cover claims for damage due to a fault in the product's manufacture.

2.If a warranty claim is made, the party entitled to warranty cover must present the proof of purchase, including the purchase date.

3.Customers' satisfaction is always the motivation of our brand growth.

We promise to help you solve any issues . Please just let us know if you need help.

OUR SERVICE TEAM PROMISES TO REPLY TO YOUR MESSAGE WITHIN 24H.

Scope of Warranty

1.We guarantee that VEVOR products are produced in accordance with iso 9001 Quality Management procedures and are free of manufacturing defects for the period of warranty.

2.This warranty covers faults in the products due to manufacturing defects within 1 year from date of purchase.After inspection by sales representative, defective products will be replaced or repaired with equivalent goods free of charge.

3.Any warranty claim made during warranty period shall not extend the overall period of warranty coverage.

4.Warranty periods:Warranty claim date

VEVOR[®]

TOUGH TOOLS, HALF PRICE

Technical Support and E-Warranty Certificate

www.vevor.com/support

Made In China