

# **VEVOR<sup>®</sup>**

**TOUGH TOOLS, HALF PRICE**

Technical Support and E-Warranty Certificate

[www.vevor.com/support](http://www.vevor.com/support)

**CAT COLLET CHUCK SET**

**& SPRING COLLET SET**

**MODEL: R813/ER3225/CAT4035/CAT408**

**CAT405/CAT404/CAT40APU13**

We continue to be committed to provide you tools with competitive price.

"Save Half", "Half Price" or any other similar expressions used by us only represents an estimate of savings you might benefit from buying certain tools with us compared to the major top brands and does not necessarily mean to cover all categories of tools offered by us. You are kindly reminded to verify carefully when you are placing an order with us if you are actually saving half in comparison with the top major brands.



R813



ER3225



CAT4035



CAT408



CAT405



CAT404



CAT40APU13

### NEED HELP? CONTACT US!

Have product questions? Need technical support? Please feel free to contact us:

**Technical Support and E-Warranty Certificate**  
[www.vevor.com/support](http://www.vevor.com/support)

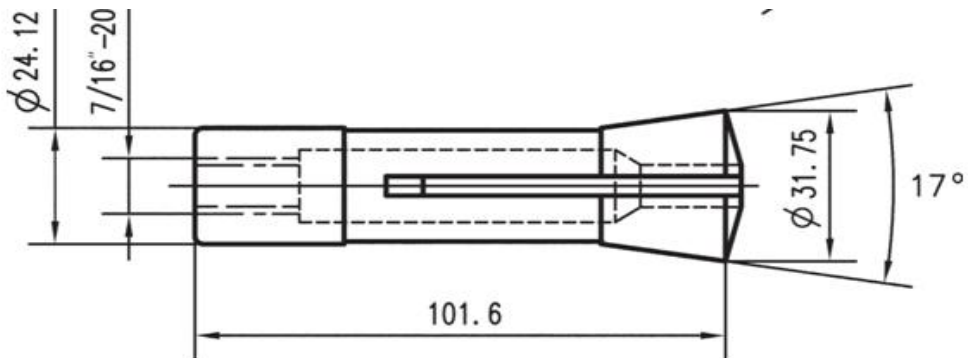
This is the original instruction, please read all manual instructions carefully before operating. VEVOR reserves a clear interpretation of our user manual. The appearance of the product shall be subject to the product you received. Please forgive us that we won't inform you again if there are any technology or software updates on our product.

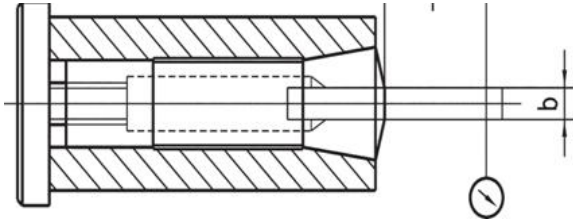
## SAFETY NOTICE

### WARNING!

1. Before using this product, please read instructions carefully and understand the specifications.
2. Inspect before every use; do not use if damaged.
3. Keep away from children.
4. When using this product, be sure to wear personal protective equipment such as goggles to prevent accidental injury.
5. When using this product, pay attention to keeping the CAT Collet Chuck Set&Spring Collet Set clean to prolong the service life.
6. When using this product, do not put your fingers or other objects into the CAT Collet Chuck Set&Spring Collet Set to avoid injury.
7. Please don't use CAT Collet Chuck Set&Spring Collet Set head instead of a hammer to strike
8. Use the product only after receiving professional metalworking training.
9. Ensure that the workspace remains clean, dry, and well-ventilated during operation.
10. Do not use in flammable, explosive, or damp environments.
11. To reduce the risk of injury when using it, Ensure that the CAT Collet Chuck Set&Spring Collet Set is securely installed and stable to prevent movement or tipping during use.
12. Follow safe operating procedures when using the CAT Collet Chuck Set&Spring Collet Set, avoiding excessive force or incorrect techniques.

### SAVE THESE INSTRUCTIONS

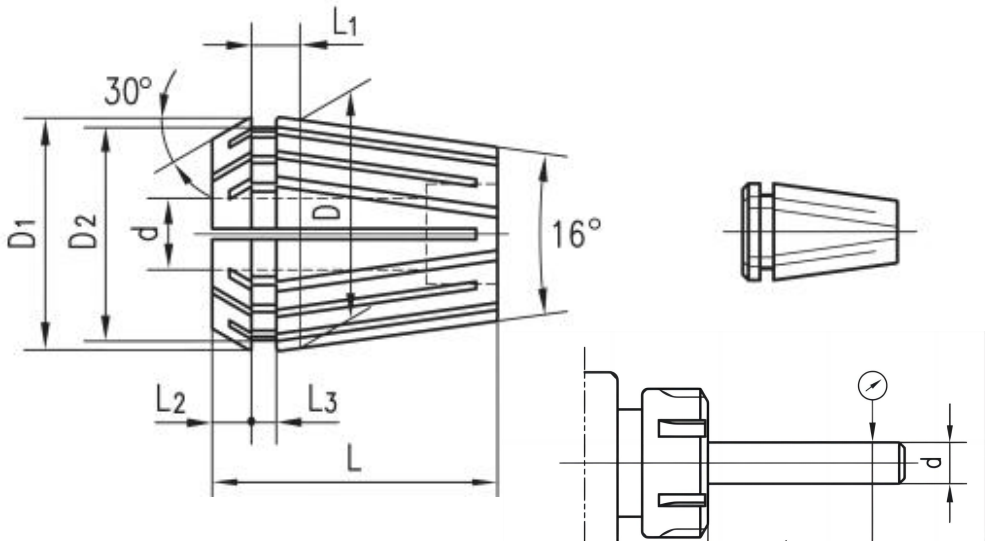




**MODEL:R813**

Serial Number	Model	QTY
1	R8-1/2"	1
2	R8-1/4"	1
3	R8-1/8"	1
4	R8-11/16"	1
5	R8-13/16"	1
6	R8-3/16"	1
7	R8-3/4"	1

Serial Number	Model	QTY
8	R8-3/8"	1
9	R8-5/16"	1
10	R8-5/8"	1
11	R8-7/16"	1
12	R8-7/8"	1
13	R8-9/16"	1

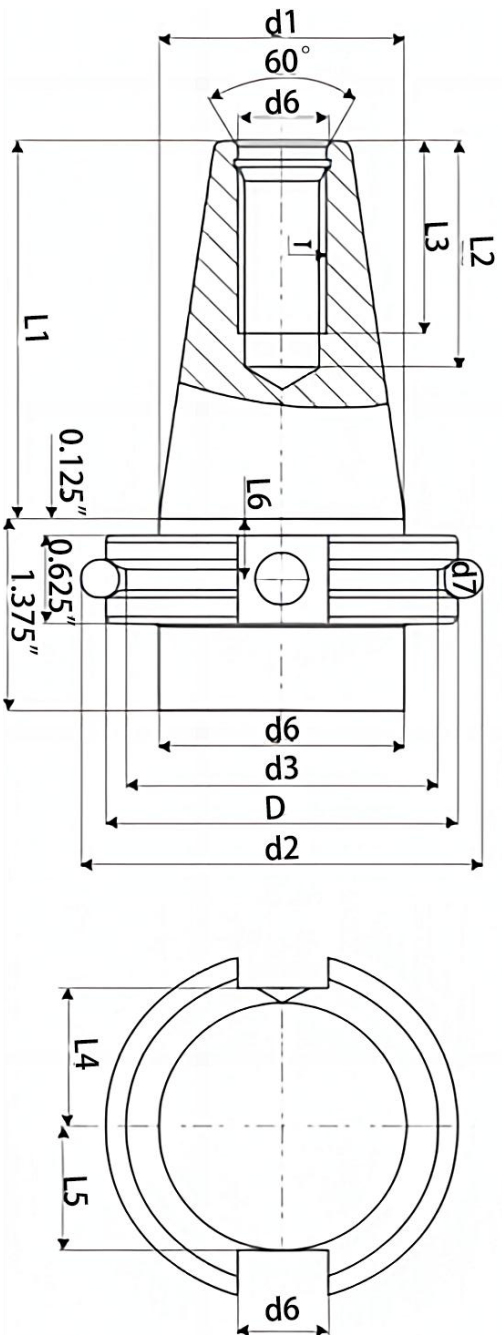


mm

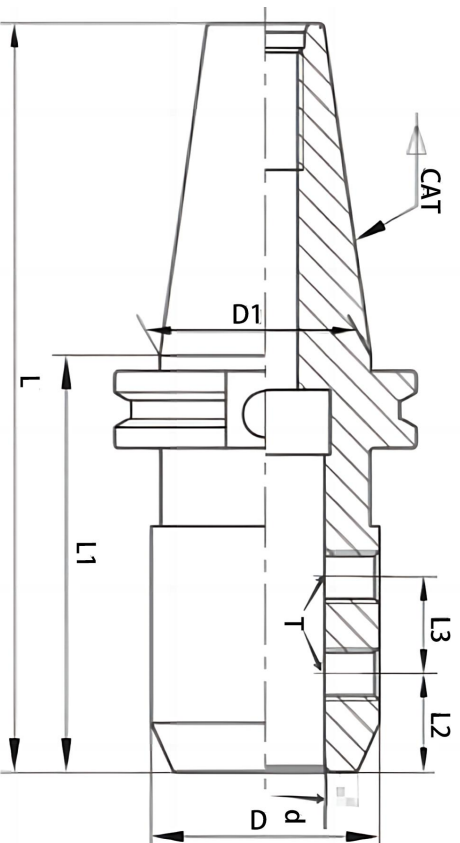
Model	D	D1	D2	L	L1	L2	L3
ER8	8	8.45	6.5	13.5	2.98	1.5	1.2
ER11	11	11.5	9.5	18.0	3.8	2.5	2.0
ER16	16	17	13.8	27.5	6.26	4.0	2.7
	16	17	13.8	27.5	6.26	4.0	2.7
ER20	20	21	17.4	31.5	6.36	4.8	2.8
	20	21	17.4	31.5	6.36	4.8	2.8
ER25	25	26	22.0	34.0	6.66	5.0	3.1
	25	26	22.0	34.0	6.66	5.0	3.1
ER32	32	33	29.2	40.0	7.16	5.5	3.6
	32	33	29.2	40.0	7.16	5.5	3.6
ER40	40	41	36.2	46.0	7.66	7.0	4.1
ER50	50	52	46.0	60.0	12.6	8.5	5.5
	50	52	46.0	60.0	12.6	8.5	5.5

**MODEL:ER3225**

Serial Number	Model	QTY	Serial Number	Model	QTY
1	ER32-1/16	1	14	ER32-25/32"	1
2	ER32-1/2"	1	15	ER32-3/16"	1
3	ER32-1/4"	1	16	ER32-3/32"	1
4	ER32-1/8"	1	17	ER32-3/4"	1
5	ER32-11/16"	1	18	ER32-3/8"	1
6	ER32-11/32"	1	19	ER32-5/16"	1
7	ER32-13/16"	1	20	ER32-5/32"	1
8	ER32-13/32"	1	21	ER32-5/8"	1
9	ER32-15/32"	1	22	ER32-7/16"	1
10	ER32-17/32"	1	23	ER32-7/32"	1
11	ER32-19/32"	1	24	ER32-9/16"	1
12	ER32-21/32"	1	25	ER32-9/32"	1
13	ER32-23/32"	1			

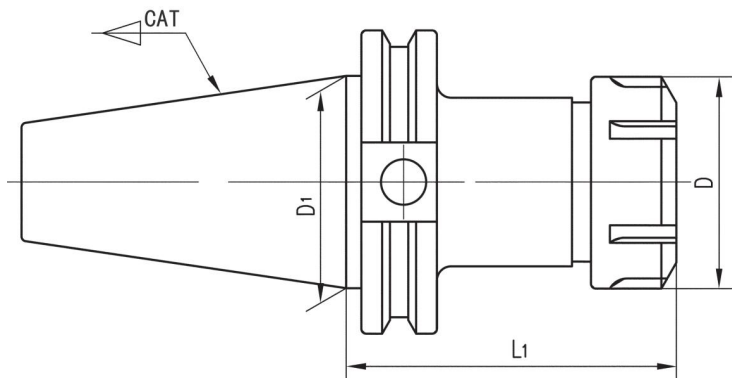


Type	D	$d_1$	$d_2$	$d_3$	$d_4$	$d_5$	$d_6$	$d_7$	$L_1$	$L_2$	$L_3$	$L_4$	$L_5$	$L_6$	T
CAT30	1.812	1.250	2.176	1.531	1.250	0.516	0.645	0.2813	1.875	1.00	0.188	0.735	0.640	0.440	0.500-13
CAT40	2.900	1.750	2.863	2.219	1.750	0.641	0.645	0.2813	2.687	1.12	0.188	0.985	0.890	0.440	0.625-11
CAT45	3.250	2.250	2.969	2.969	2.250	0.766	0.770	0.2813	3.250	1.50	0.188	1.235	1.140	0.440	0.750-10
CAT50	3.875	2.750	3.594	3.594	2.750	1.031	1.020	0.2813	4.000	1.75	0.250	1.485	1.390	0.440	1.000-8



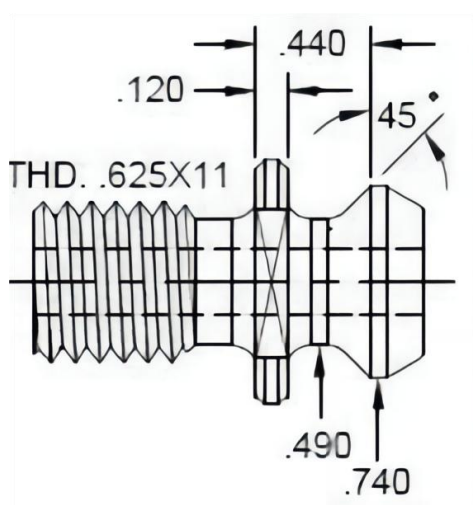
inch/mm

Model	-L1	L	L2	L3	d	D	D1	T
CAT40-SLN1/4	-2-1/2"	131.75	16		6.35	27		M5
CAT40-SLN3/8	-2-1/2"	131.75	19		9.525	32		M8
CAT40-SLN1/2	-2-1/2"	131.75	22		12.7	35	44.45	M10
CAT40-SLN5/8	"-3"	144.45	23		15.875	41		M12
CAT40-SLN3/4	"-3"	144.45	25		19.05	44.5		M16
CAT40-SLN1	"-4"	169.85	28	25.4	25.4	55		M16



inch/mm

CAT X ER-L1	D	D1
CT40×ER16-2.76"	28	44.45
CAT40×ER16-4.00"	28	44.45
CAT40×ER16-6.00"	28	44.45
CAT40×ER32-2.76"	50	44.45
CAT40×ER32-4.00"	50	44.45
CAT40×ER32-6.00"	50	44.45





**MODEL:CAT4035**

<b>Serial Number</b>	<b>Model</b>	<b>QTY</b>
1	CAT40-SLN-5/8" -3	1
2	CAT40-SLN-3/8"-2.5	1
3	CAT40-SLN-3/4"-3	1
4	CAT40-SLN-1/4"-2.5	1
5	CAT40-SLN-1/2"-2.5	1
6	CAT40-SLN-1" -4"	1
7	CAT40-FMB-1"-2.06"	1
8	CAT40-ER32-2.76"	3
9	CAT40-ER16-2.76"	2
10	CAT40-APU-13	1
11	ER32-1/8"	1
12	ER32-3/16"	1
13	ER32-7/32"	1
14	ER32-1/4"	1
15	ER32-5/16"	1
16	ER32-3/8"	1
17	ER32-7/16"	1
18	ER32-1/2"	1

<b>Serial Number</b>	<b>Model</b>	<b>QTY</b>
19	ER32-9/16"	1
20	ER32-5/8"	1
21	ER32-11/16"	1
22	ER32-3/4"	1
23	ER16-1/32"	1
24	ER16-1/16"	1
25	ER16-3/32"	1
26	ER16-1/8"	1
27	ER16-3/16"	1
28	ER16-7/32"	1
29	ER16-1/4"	1
30	ER16-5/16"	1
31	ER16-11/32"	1
32	ER16-3/8"	1
33	CAT40 Pull Pin	10
34	ER32 Wrench	1
35	ER16A Wrench	1
36	APU13 Wrench	1

**MODEL:CAT408**

<b>Serial Number</b>	<b>Model</b>	<b>QTY</b>
1	CAT40-ER16-2.76"	8

**MODEL:CAT405**

<b>Serial Number</b>	<b>Model</b>	<b>QTY</b>
1	CAT40-ER32-2.76"	5

**MODEL:CAT404**

<b>Serial Number</b>	<b>Model</b>	<b>QTY</b>
1	CAT40-ER16-4"	4

**MODEL:CAT40APU13**

<b>Serial Number</b>	<b>Model</b>	<b>QTY</b>
1	CAT40-APU13-4"	1
2	CAT40 Pull Stud	1
3	APU13 Wrench	1

**Manufacturer:** Shanghaimuxinmuyeyouxiangongsi

**Address:** Shuangchenglu 803nong11hao1602A-1609shi, baoshanqu, shanghai 200000 CN.

**Imported to AUS:** SIHAO PTY LTD, 1 ROKEVA STREETEASTWOOD NSW 2122 Australia

**Imported to USA:** Sanven Technology Ltd., Suite 250, 9166 Anaheim Place, Rancho Cucamonga, CA 91730

<b>EC</b>	<b>REP</b>
-----------	------------

E-CrossStu GmbH  
Mainzer Landstr.69, 60329 Frankfurt am Main.

<b>UK</b>	<b>REP</b>
-----------	------------

YH CONSULTING LIMITED.  
C/O YH Consulting Limited Office 147, Centurion House,  
London Road, Staines-upon-Thames, Surrey, TW18 4AX

**VEVOR**<sup>®</sup>

**TOUGH TOOLS, HALF PRICE**

**Technical Support and E-Warranty Certificate**

**[www.vevor.com/support](http://www.vevor.com/support)**