

VEVOR[®]

TOUGH TOOLS, HALF PRICE

Technical Support and E-Warranty Certificate www.vevor.com/support

KEY CABINET

MODEL: YX-K370-48

We continue to be committed to provide you tools with competitive price.

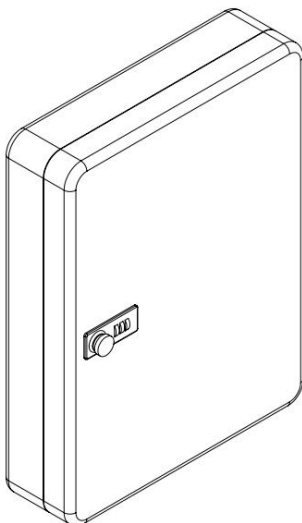
"Save Half", "Half Price" or any other similar expressions used by us only represents an estimate of savings you might benefit from buying certain tools with us compared to the major top brands and does not necessarily mean to cover all categories of tools offered by us. You are kindly reminded to verify carefully when you are placing an order with us if you are actually saving half in comparison with the top major brands.

VEVOR®

TOUGH TOOLS, HALF PRICE

KEY CABINET

MODEL:YX-K370-48



NEED HELP? CONTACT US!

Have product questions? Need technical support? Please feel free to contact us:

Technical Support and E-Warranty Certificate
www.vevor.com/support

This is the original instruction, please read all manual instructions carefully before operating. VEVOR reserves a clear interpretation of our user manual. The appearance of the product shall be subject to the product you received. Please forgive us that we won't inform you again if there are any technology or software updates on our product.

SAFETY INSTRUCTIONS

Thank you very much for choosing this product. Please read all of the instructions before using it. The information will help you achieve the best possible results.

1. ASSEMBLY SAFETY

PLEASE NOTE! Drawings in this manual are for illustration purposes only and in some details may differ from the actual product.

. Assemble only should be according to these instructions. Improper assembly can result in hazards.

. Wear ANSI-approved safety goggles and heavy-duty work gloves during assembly.

. Keep the assembly area clean and well-lit.

. Keep bystanders out of the area during assembly.

. Do not assemble when tired or when under the influence of alcohol, drugs or medication.

. The product capabilities apply to properly and completely assembled products only.

. Assemble on a flat, level, hard and smooth surface capable of safely supporting the key cabinet.

. For additional information regarding the parts listed in the following pages, please refer to the Assembly Diagram of this manual. Unwrap and separate all parts in a clean work area.

2.USAGE SAFETY

ATTENTION! Read all safety warnings and all instructions. Failure to follow the warnings and instructions may result in serious injury or even death. The terms "device" or "product" are used in the warning and instructions to refer to KEY CABINET.

If you are unsure about whether the product is operating correctly or if you find damage, please contact the manufacturer's service centre. Only the

manufacturer's service centre may make repairs to the product. Do not attempt to make repairs yourself! Keep the device away from sources of fire and heat.

3.USE GUIDELINES





The product is intended for storing keys out of reach of unwanted persons - it has a key lock. For better organization it has key hangers and an organizer. CAUTION: Do not store a spare lock key inside the box!

SAVE THESE INSTRUCTIONS

TECHNICAL PARAMETERS

Model	YX-K370-48
Colour	Black
Max number of key hangers	48
Size	370*285*80 mm
N.W.	2.46 kg
G.W.	3 kg
Material	Cold Rolled Steel DC03, 0.7mm
Lock	Three digit combination lock

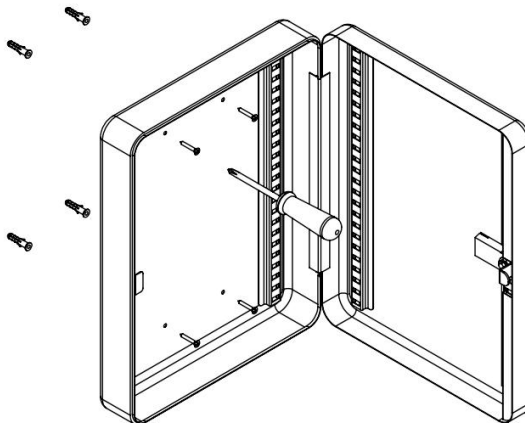
PARTS LIST

English Manual*1	
Hangers segment*6	
Key Hanger*48	
Expansion screw set*4 (M3.5*30)	

ASSEMBLY STEP

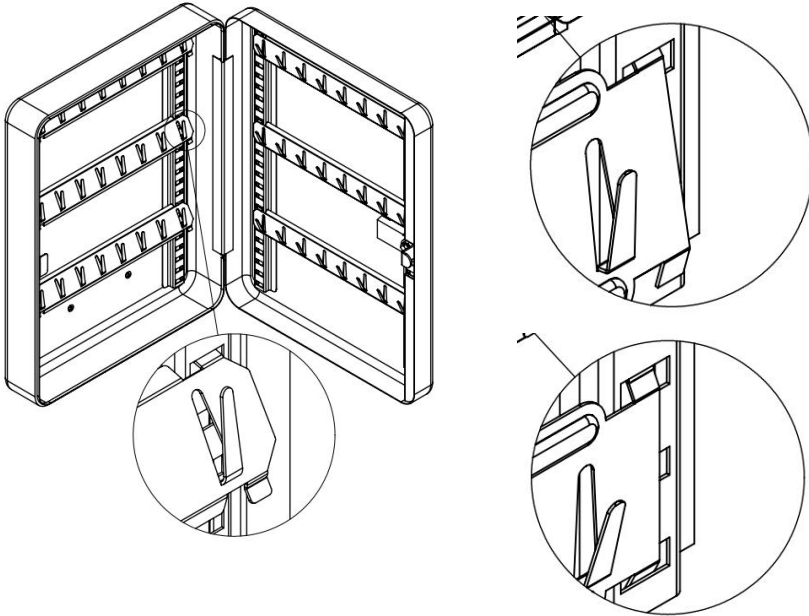
STEP1

Mount the key cabinet to the wall with the expansion screw sets according to the holes drilled in the wall.



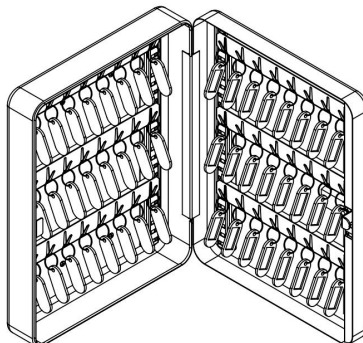
STEP2

Install the Hangers segment on the cabinet. First the long side then the short.



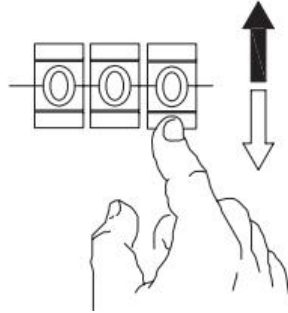
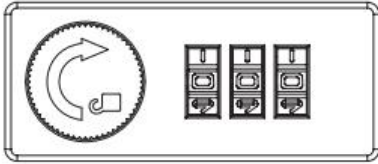
STEP3

Then you can use the cabinet to hang on the keys as below.

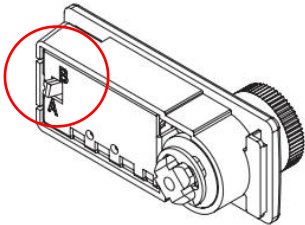


PASSWORD LOCK INSTRUCTION

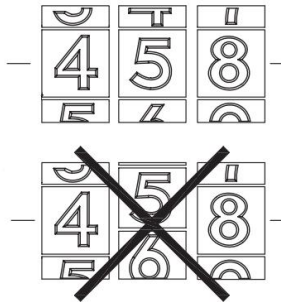
1. Initial password: 000



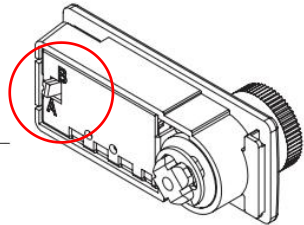
2. How to setup password



Set the above key to "B"



Change the figures to set your password



Set the above key to "A" then it is over.

Please record the password to avoid forgetting the password.

Imported to AUS: SIHAO PTY LTD. 1 ROKEVA STREET EASTWOOD
NSW 2122 Australia

Imported to USA: Sanven Technology Ltd. Suite 250, 9166 Anaheim
Place, Rancho Cucamonga, CA 91730

EC	REP
-----------	------------

E-CrossStu GmbH
Mainzer Landstr.69, 60329 Frankfurt am Main.

UK	REP
-----------	------------

YH CONSULTING LIMITED.
C/O YH Consulting Limited Office 147, Centurion
House, London Road, Staines-upon-Thames, Surrey,
TW18 4AX

VEVOR[®]

TOUGH TOOLS, HALF PRICE

Technical Support and E-Warranty Certificate

www.vevor.com/support