

VEVOR[®]

TOUGH TOOLS, HALF PRICE

Technical Support and E-Warranty Certificate www.vevor.com/support

PANEL CARTS

USER MANUAL

MODEL:PD0270

We continue to be committed to provide you tools with competitive price.

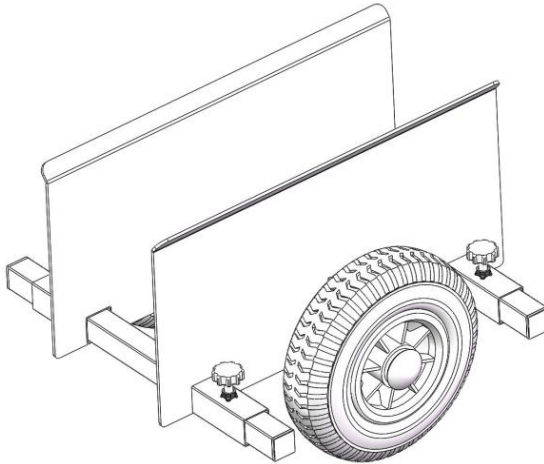
"Save Half", "Half Price" or any other similar expressions used by us only represents an estimate of savings you might benefit from buying certain tools with us compared to the major top brands and does not necessarily mean to cover all categories of tools offered by us. You are kindly reminded to verify carefully when you are placing an order with us if you are actually saving half in comparison with the top major brands.

VEVOR®

TOUGH TOOLS, HALF PRICE

PANEL CARTS

MODEL:PD0270



NEED HELP? CONTACT US!

Have product questions? Need technical support? Please feel free to contact us:

Technical Support and E-Warranty Certificate
www.vevor.com/support

This is the original instruction, please read all manual instructions carefully before operating. VEVOR reserves a clear interpretation of our user manual. The appearance of the product shall be subject to the product you received. Please forgive us that we won't inform you again if there are any technology or software updates on our product.

SAFETY INSTRUCTION AND PRECAUTIONS

⚠WARNING:

Read this material before using this product. Failure to do so can result in serious injury.

Assembly precautions

1. Assemble only according to these instructions. Improper assembly can create hazards.
2. Wear ANSI-approved safety goggles and heavy-duty work gloves during assembly.
3. Keep assembly area clean and well lit.
4. Keep bystanders out of the area during assembly.
5. Do not assemble when tired or when under the influence of alcohol, drugs or medication.
6. Weight capacity and other product capabilities apply to properly and completely assembled product only.
7. Assemble on a flat, level, hard and smooth surface capable of safely supporting a fully loaded panel cart.

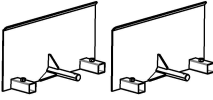
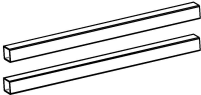
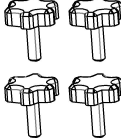

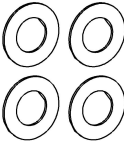
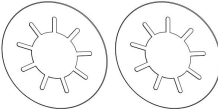
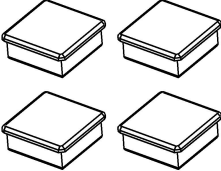
Use precautions

TO PREVENT SERIOUS INJURY AND DEATH FROM TIPPING:

1. **DO NOT SIT, STAND OR CLIMB ON THIS ITEM.**
2. This product is not a toy. Do not allow children to play with or near this item.
3. Do not exceed weight capacities, evenly distributed from bottom up. Be aware of dynamic loading! Sudden load movement may briefly create excess load causing product failure.
4. Use only on a flat, level, hard and smooth surface capable of safely supporting a fully loaded panel cart.
5. Use as intended only. To prevent tipping, push/pull using supplied handle only. Do not lift while loaded.
6. Inspect before every use; do not use if parts are loose or damaged.

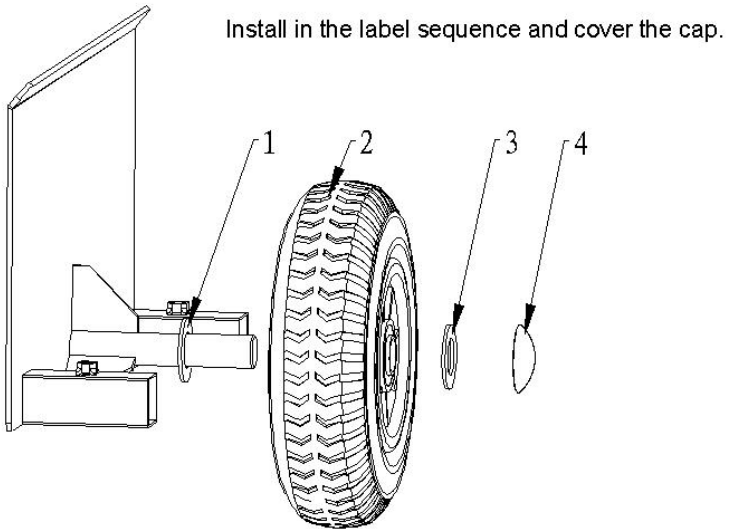
SAVE THESE INSTRUCTIONS

PARTS LIST

| 1-Side Panel | 2-Bearing Bar | 3-Plastic handle bolt | 4-Caster |
|---|---|---|--|
|  |  |  |  |
| 5-Shim | 6-Cap | 7-Pipe plug | |
|  |  |  | |

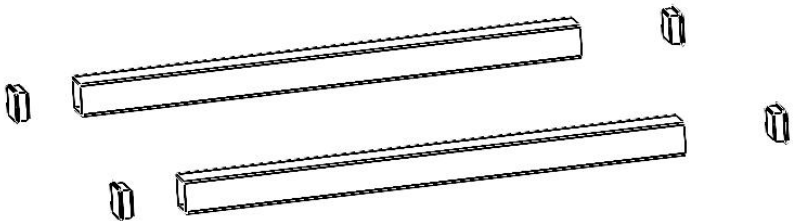
ASSEMBLY

1. Install the tire on one side as shown in the following figure

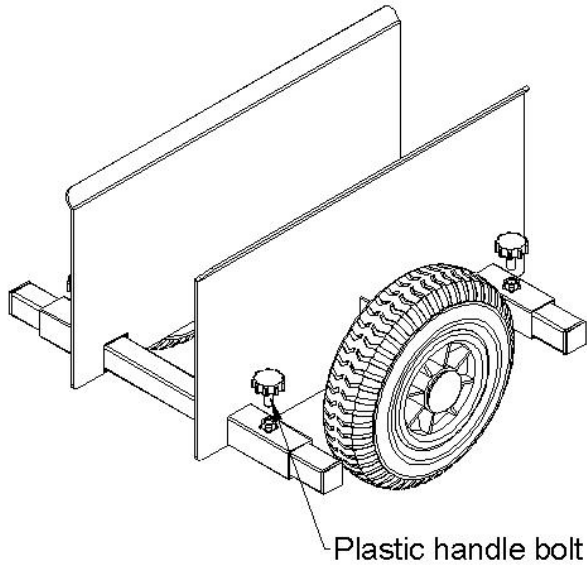


2. Repeat the first step once on the other side.

3. Pipe plug installed at both ends of the load-bearing rod.



4.As shown in the figure, adjust the working width of the side plate as required and tighten the bolts.



5.Assembly completed.

| | Items | Description |
|---|--------------|-----------------------------|
| 1 | Name | Panel carts |
| 2 | Model | PD0270 |
| 3 | Parameter | Load(Max):600LBS , Wheel:8" |

VEVOR[®]
TOUGH TOOLS, HALF PRICE

Technical Support and E-Warranty Certificate
www.vevor.com/support