

VEVOR[®]

TOUGH TOOLS, HALF PRICE

Technical Support and E-Warranty Certificate www.vevor.com/support

HYDRAULIC POWER UNIT

SERIES:ZXAC220V-2.2KW-D-XL

(TIPS: X IS 10/12/14/15)

We continue to be committed to provide you tools with competitive price.

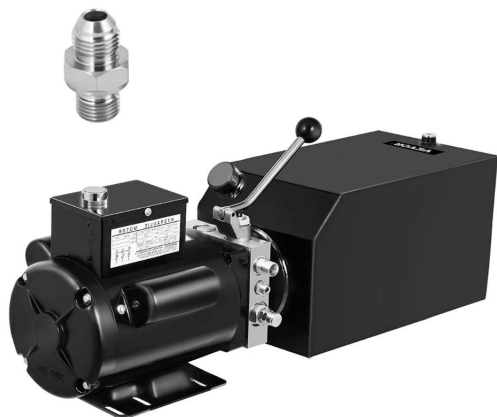
"Save Half", "Half Price" or any other similar expressions used by us only represents an estimate of savings you might benefit from buying certain tools with us compared to the major top brands and does not necessarily mean to cover all categories of tools offered by us. You are kindly reminded to verify carefully when you are placing an order with us if you are actually saving half in comparison with the top major brands.

VEVOR®

TOUGH TOOLS, HALF PRICE

HYDRAULIC POWER UNIT

MODEL:ZXAC220V-2.2KW-D-XL







NEED HELP? CONTACT US!

Have product questions? Need technical support? Please feel free to contact us:

Technical Support and E-Warranty Certificate
www.vevor.com/support

This is the original instruction, please read all manual instructions carefully before operating. VEVOR reserves a clear interpretation of our user manual. The appearance of the product shall be subject to the product you received. Please forgive us that we won't inform you again if there are any technology or software updates on our product.

| | |
|---|---|
|  | <p>Warning-To reduce the risk of injury, users must read the instructions manual carefully.</p> |
|  | <p>CORRECT DISPOSAL</p> <p>This product is subject to the provision of European Directive 2012/19/EC. The symbol showing a wheeled bin crossed through indicates that the product requires separate refuse collection in the European Union. This applies to the product and all accessories marked with this symbol. Products marked as such may not be discarded with normal domestic waste but must be taken to a collection point for recycling electrical and electronic devices.</p> |
|  | <p>Warning-Motor must be grounded in accordance with local and national electrical codes to prevent serious electrical shocks.</p> |
|  | <p>Alternating current</p> |

INSTRUCTIONS

The hydraulic power unit is formed by the variation of the hydraulic station. In order to make the hydraulic station small in size, light in weight, beautiful in appearance, and have unique functions, the gear oil pump, various control valves, motors, and fuel tanks are closely connected together, thus forming the current hydraulic power unit.

CAUTION

- This vehicle hydraulic pump is an S3 working system, not continuous operation, 30 seconds to start, 270 seconds to stop, the maximum working time of 180 seconds, intermittent 360 seconds continuous working time is too long, will cause motor short circuit or damage.
- When the hydraulic power unit produced by our Company leaves the factory, the system pressure has been set. If changes are needed, users can adjust the system pressure by themselves through a pressure regulator knob according to the actual situation, but it cannot

exceed the nominal pressure of the system.

- Check the connection of the motor and electromagnetic valve carefully, and it is strictly forbidden to make a virtual connection.
- During the first installation and debugging, pay attention to keeping the oil level inside the oil tank, and after a working cycle, the oil tank should be filled, but it cannot be overfilled.
- The hydraulic oil must be filtered when the oil tank is filled, with a filtering accuracy of no less than 25µm.
- The power unit cannot filter out impurities inside the hydraulic cylinder. Therefore, the inside of the hydraulic cylinder must be clean to avoid the failure of the valve. The tubing must also be clean.

SAVE THESE INSTRUCTIONS

TECHNICAL PARAMETERS

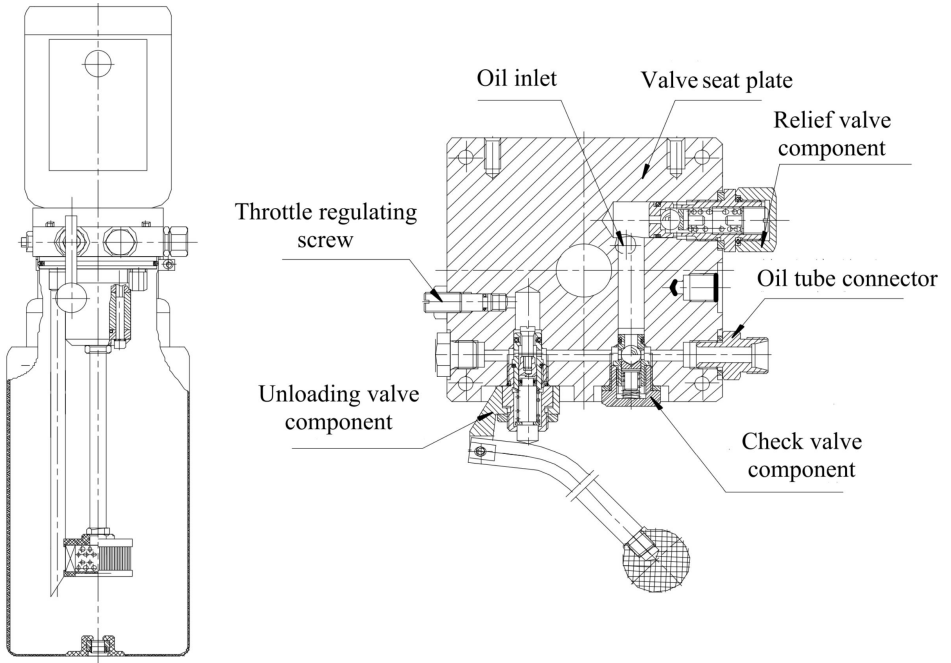
| Model | ZXAC220V-2.2 KW-D-10L | ZXAC220V-2.2 KW-D-12L | ZXAC220V-2.2 KW-D-14L | ZXAC220V-2.2 KW-D-15L |
|--------------------|--------------------------|--------------------------|--------------------------|--------------------------|
| Reservoir Capacity | 10 Quart | 12 Quart | 14 Quart | 15 Quart |
| Action | Single | | | |
| voltage | AC220-240V | | | |
| Frequency | 50/60Hz | | | |
| Power | 2200 W | | | |
| Rotating Speed | 3420 RPM | | | |
| Pressure | 16~20 MPa | | | |
| Traffic | 2.1 mL/r | | | |
| Tank Material | Steel | | | |

PARTS ILLUSTRATION

The Hydraulic Power Unit has been fully assembled. It comes with a hand-held remote control and 1 additional **SAE#6** connectors for

replacement. The whole power unit is easy to wire and easy to operate.

SCHEMATIC DIAGRAM

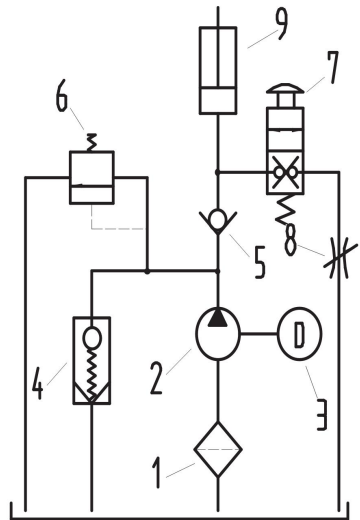


WORKING PRINCIPLE AND WIRING METHOD

1. Please fill in hydraulic oil from reservoir filler till it is 3 cm to 5 cm below the upper surface of the reservoir.

2. Rise of the lifter:

After the motor starts, the gear oil pump ② starts to work, and the hydraulic oil passes the oil filter ① to the check valve ⑤ through the gear oil pump ② into the oil cylinder ⑨ to raise the lifter. After the motor stops, the gear oil pump ② stops working and the lifter stops at the height being raised. In this case, the check valve ⑤ and the manual unloading valve ⑦ are used to maintain its pressure.



3. Drop of the lifter:

To drop the lifter, just press down the handle of the manual unloading valve ⑦ and release the handle to stop dropping. The dropping speed can be realized by adjusting the throttle valve ⑧. When rotating inwards, it slows down; when rotating outwards, it speeds up.

4. System pressure adjustment of power unit:

Generally, when the power unit leaves the factory, it has been adjusted to the normal using pressure by the manufacturer (18-20MPa). If the user needs to adjust the pressure, he or she can adjust through the relief valve ⑥. The relief valve ⑥ is not only used to adjust the pressure in the system, but also used as a safety pressure limiting element in the system. So, users should try not to adjust the relief valve during use.

5. In order to protect the working life of the motor and gear oil pump, reduce the noise during starting, and make the power unit start under no load, cushion valve ④ is specially configured in the system.

6. A power unit of 220V voltage is adopted, and a voltage regulator should be equipped, to ensure that the motor and related electrical components are not damaged due to under voltage.

7. The hydraulic oil should be changed 3 months after the first operation of the system, after that, the hydraulic oil should be changed every 12 months, please use the ISO46# hydraulic oil.

COMMON FAILURES AND TROUBLESHOOTING

1. Do not rise (advance) or rise (advance) unstably.

a. Too low oil level in the oil tank; add oil to the specified level.

b. The hydraulic power unit should use anti-wear hydraulic oil with a kinematic viscosity of 22-46mm²/s (50°C). ISO VG46 is recommended when the oil temperature is below 50°C, while ISO VG68 is recommended when the oil temperature is above 50°C. The added oil should be filtered by a filter with a filtration accuracy of 30um. The oil volume should be 80% of the effective capacity of the oil tank. The oil temperature is usually between -10~80°C, and low-temperature hydraulic oil should be used for extremely cold areas, such as ISO VG32. These measures can effectively prolong the service life of the hydraulic system and hydraulic components, and improve the stability and reliability of the hydraulic power unit.

c. Blocked oil filter screen, wash or replace the filter screen.

d. Unsealed or leaking oil suction pipe, check the leakage or unsealed place, and repair or replace the pipe.

e. Unclosed electromagnetic valve or hand valve, wash the electromagnetic valve and hand valve or replace the oil.

2. Do not drop or drop unstably.

a. Blocked electromagnetic valve or hand valve filter screen, clean the filter screen and electromagnetic valve.

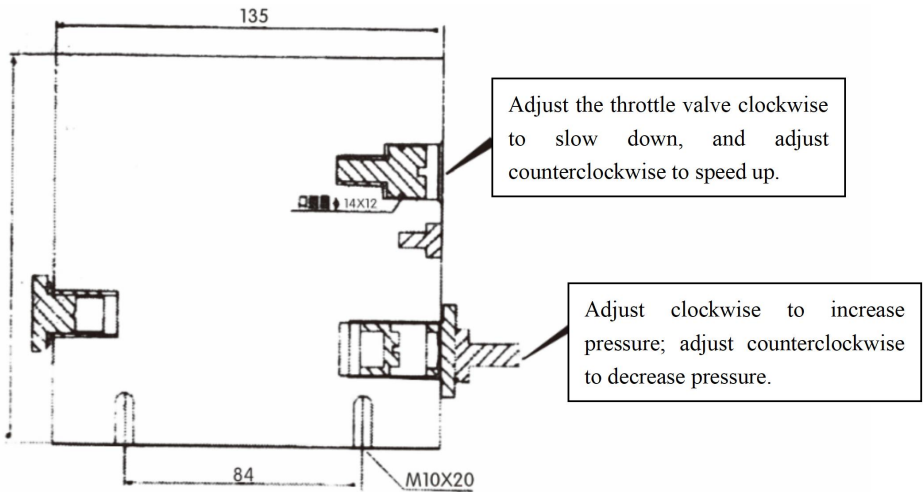
b. Blocked throttle valve, adjust the throttle valve.

3. Do not pressurize

a. Unsealed check valve, wash the check valve or replace the oil seal and

oil.

SIMPLE COMMISSIONING DIAGRAM



MAINTENANCE

1. Actuators and pipelines should be kept clean to prevent the introduction of foreign material into the system.
2. The reservoir should be adequately filled with oil. Proper refilling is needed after certain working circles. It may damage the oil pump and the enclosure if the oil pump sucks air.
3. The hydraulic oil should be replaced upon working for 100 hours since the initial filling. Subsequently, the hydraulic oil should be replaced once per year or at about 1500 working hours.
4. The viscosity of the hydraulic oil should be 22-46mm²/s.
5. High-viscosity hydraulic oil should be used in high-temperature working environment while low-viscosity hydraulic oil should be used in low-temperature environment.

VEVOR[®]
TOUGH TOOLS, HALF PRICE

Technical Support and E-Warranty Certificate
www.vevor.com/support