

VEVOR[®]

TOUGH TOOLS, HALF PRICE

Technical Support and E-Warranty Certificate

www.vevor.com/support

HYDRAULIC GEAR PUMP

**MODEL: YYPMB11GPM / YYPMB13GPM /
YYPMB22GPM+25 / YYPMB22GPM / CLB13GPM /
CLB16GPM / CLB16+25**

We continue to be committed to provide you tools with competitive price.

"Save Half", "Half Price" or any other similar expressions used by us only represents an estimate of savings you might benefit from buying certain tools with us compared to the major top brands and does not necessarily mean to cover all categories of tools offered by us. You are kindly reminded to verify carefully when you are placing an order with us if you are actually saving half in comparison with the top major brands.

VEVOR®

TOUGH TOOLS, HALF PRICE

HYDRAULIC GEAR PUMP

MODEL: YYPMB11GPM / YYPMB13GPM / YYPMB22GPM+25 / YYPMB22GPM
/ CLB13GPM / CLB16GPM / CLB16+25



NEED HELP? CONTACT US!

Have product questions? Need technical support? Please feel free to contact us:

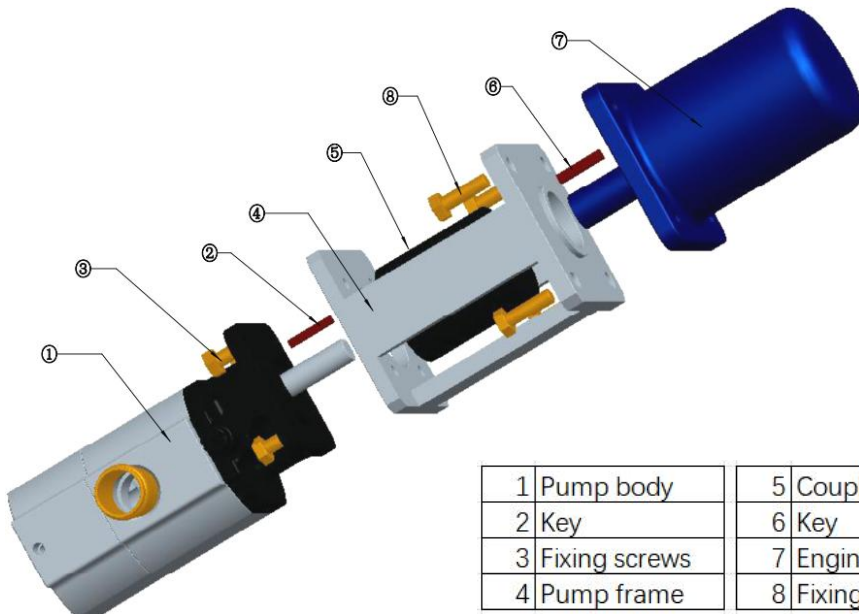
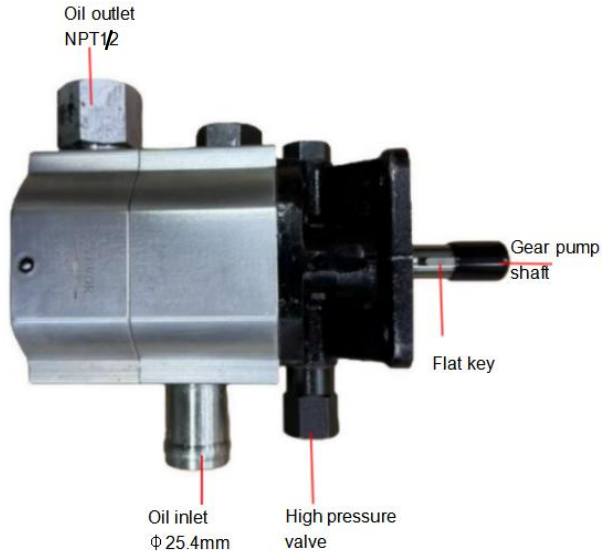
Technical Support and E-Warranty Certificate
www.vevor.com/support

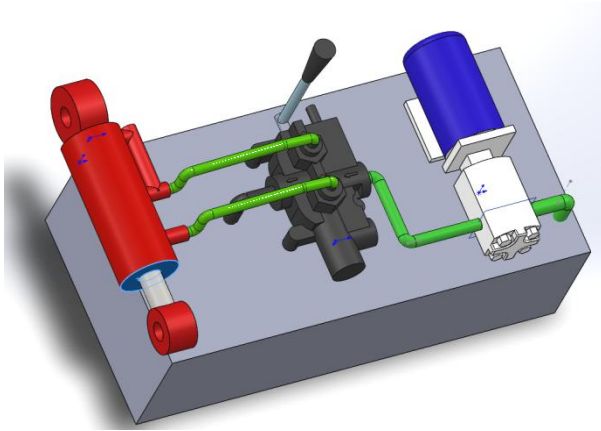
This is the original instruction, please read all manual instructions carefully before operating. VEVOR reserves a clear interpretation of our user manual. The appearance of the product shall be subject to the product you received. Please forgive us that we won't inform you again if there are any technology or software updates on our product.



Warning-To reduce the risk of injury, user must read instructions manual carefully.

INSTALLATION GUIDELINES



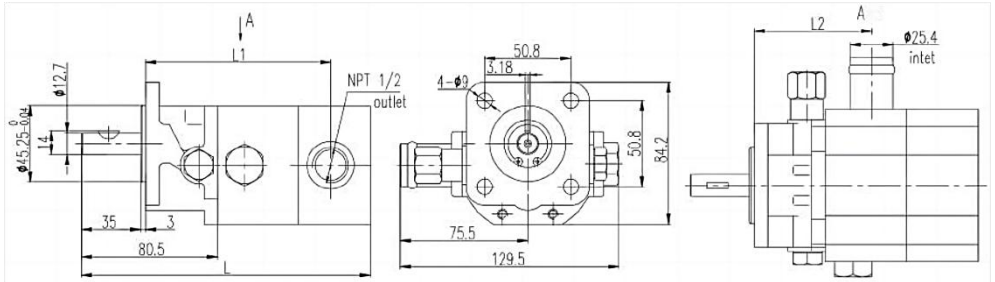


1. Secure the coupling to the engine.
2. Connect the pump bracket to the engine flange.
3. Fix the gear pump onto the pump frame and connect it to the coupling (note that the single key inside cannot fall out)
4. Connect the oil suction pipe to the fuel tank and secure it with a pipe clamp.
5. The connection between the oil outlet and the high-pressure oil port of the multi way valve is complete.

SPECIFICATIONS

Model	Flow(GPM) 3600r/min	Pressure (PSI)		Displacement (cu.in/r)		Speed (rpm)	D (mm)	
		Lo	Hi	Lo	Hi		Inlet	Outlet
YYPMB11GPM	11	400 /900	3000	0.537	0.220	3600	1 in Pipe	1/2 NPT
CLB13GPM	13	400/900	3000	0.665	0.220			
YYPMB13GPM	13	400/900	4000	0.665	0.256			
CLB16GPM	16	400/900	4000	0.793	0.265			
CLB16+25	16	400/900	4000	0.793	0.265			

DIMENSION

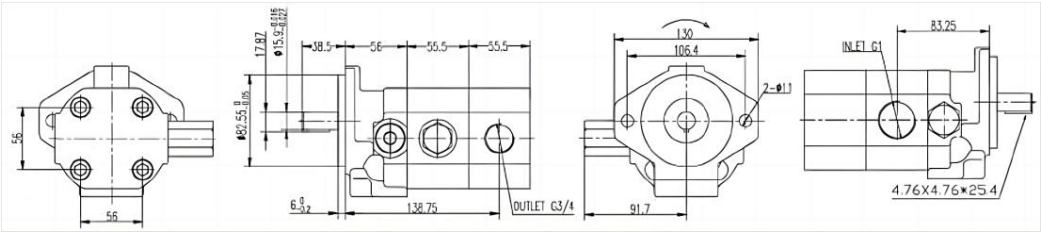


Model	Dimension (inches)		
	L	L1	L2
YYPMB11GPM	6.61	4.24	2.74
CLB13GPM	6.9	4.53	3.04
YYPMB13GPM	6.9	4.53	3.04
CLB16GPM	6.9	4.53	3.04
CLB16+25	6.9	4.53	3.04

SPECIFICATIONS

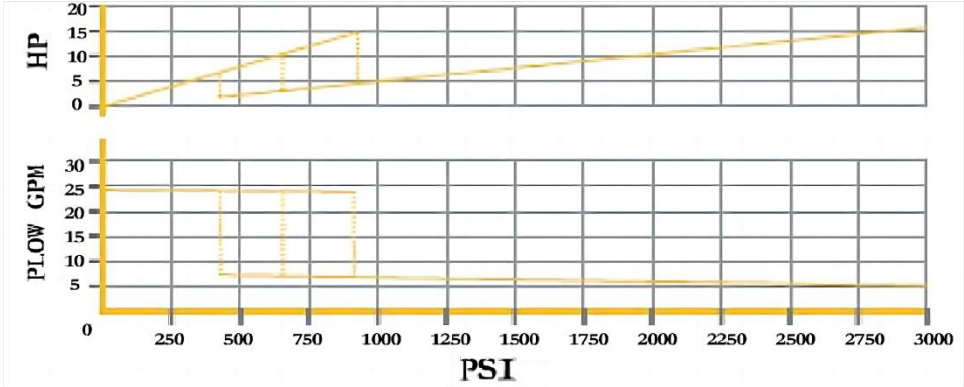
Model	Flow(GPM) 3600r/min	Pressure (PSI)		Displacement (cu.in/r)		Speed (rpm)	D (mm)	
		Lo	Hi	Lo	Hi		Inlet	Outlet
YYPMB22GPM+25	22	400/900	3000	0.93	0.465	3600	NPTF 1 G1	NPTF3/4 G3/4
YYPMB22GPM	22	400/900	3000	0.93	0.465			

DIMENSION



PERFORMANCE CURVES

YYPMB22GPM



PARTS LIST

Model	Parts List
YYPMB11GPM, YYPMB22GPM, CLB13GPM, CLB16GPM	1. Wrench * 1; 2. Flat key * 1; 3. Teflon tape* 1
YYPMB13GPM	1. Coupling * 1; 2. Installation base * 1; 3. Bolt * 4; 4. Wrench * 1; 5. Key * 1; 6. Teflon tape* 1;
YYPMB22GPM+25	1. Coupling * 1; 2. Installation base * 1; 3. Bolt * 4; 4. Brake valve * 1 5. Wrench * 1; 6. Key * 1; 7. Teflon tape* 1;
CLB16+25	1. Brake valve; 2. Wrench * 1; 3. Flat key * 1; 4. Teflon tape* 1

Manufacturer: Shanghaimuxinmuyeyouxiangongsi

Address: Shuangchenglu 803nong11hao1602A-1609shi, baoshanqu, shanghai 200000 CN.

Imported to AUS: SIHAO PTY LTD, 1 ROKEVA STREET EASTWOOD NSW 2122 Australia

Imported to USA: Sanven Technology Ltd., Suite 250, 9166 Anaheim Place, Rancho Cucamonga, CA 91730

EC	REP
-----------	------------

E-CrossStu GmbH
Mainzer Landstr.69, 60329 Frankfurt am Main.

UK	REP
-----------	------------

YH CONSULTING LIMITED.
C/O YH Consulting Limited Office 147, Centurion House,
London Road, Staines-upon-Thames, Surrey, TW18 4AX

VEVOR[®]
TOUGH TOOLS, HALF PRICE

Technical Support and E-Warranty Certificate
www.vevor.com/support