

# **VEVOR<sup>®</sup>**

## **TOUGH TOOLS, HALF PRICE**

Technical Support and E-Warranty Certificate

[www.vevor.com/support](http://www.vevor.com/support)

### **FISHING CART**

### **MODEL: YK-200**

We continue to be committed to provide you tools with competitive price. "Save Half", "Half Price" or any other similar expressions used by us only represents an estimate of savings you might benefit from buying certain tools with us compared to the major top brands and does not necessarily mean to cover all categories of tools offered by us. You are kindly reminded to verify carefully when you are placing an order with us if you are actually saving half in comparison with the top major brands.



# VEVOR<sup>®</sup>

TOUGH TOOLS, HALF PRICE

## FISHING CART

MODEL: YK-200



### NEED HELP? CONTACT US!

Have product questions? Need technical support? Please feel free to contact us:

**Technical Support and E-Warranty Certificate**  
**[www.vevor.com/support](http://www.vevor.com/support)**

This is the original instruction, please read all manual instructions carefully before operating. VEVOR reserves a clear interpretation of our user manual. The appearance of the product shall be subject to the product you received. Please forgive us that we won't inform you again if there are any technology or software updates on our product.

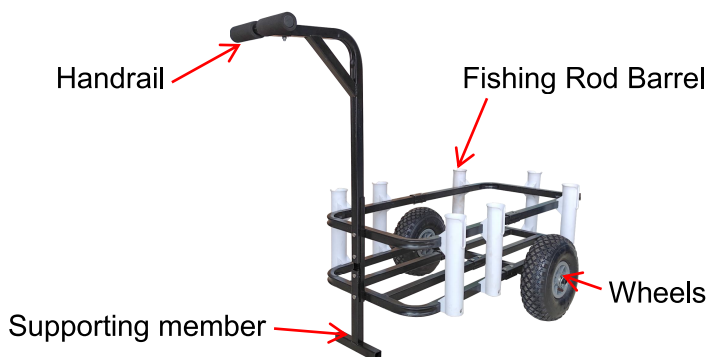
## SAFETY INSTRUCTIONS

1. Please confirm that the cart is intact and the tire pressure is normal before each use. Please inflate a little before using the wheels, and be careful not to over-inflate! Maximum inflation pressure 25psi, the maximum diameter of the wheel after inflation should not exceed 29cm! (11.4-inch)
2. It is forbidden to carry people under any condition.
3. It is forbidden to load articles on uneven and hilly terrains.
4. Overload is strictly prohibited.
5. Don't move too fast when passing pothole areas.

## MODEL AND PARAMETERS

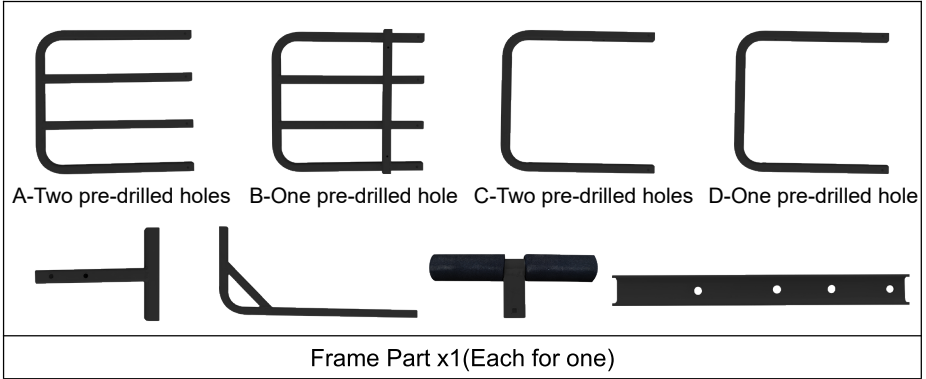
<b>Model</b>	YK-200
<b>Max. Load</b>	200lbs
<b>Wheels</b>	11inch,inflatable,rubber wheels*2
<b>Fishing Rod Barrel</b>	7
<b>Frame Size (inside)</b>	34 x 14.5 x 7inch
<b>Material</b>	Steel
<b>Color</b>	Black

## STRUCTURE DIAGRAM








# INSTALLATION




		
E-Connection Block x12	wheels x2	Washer x2

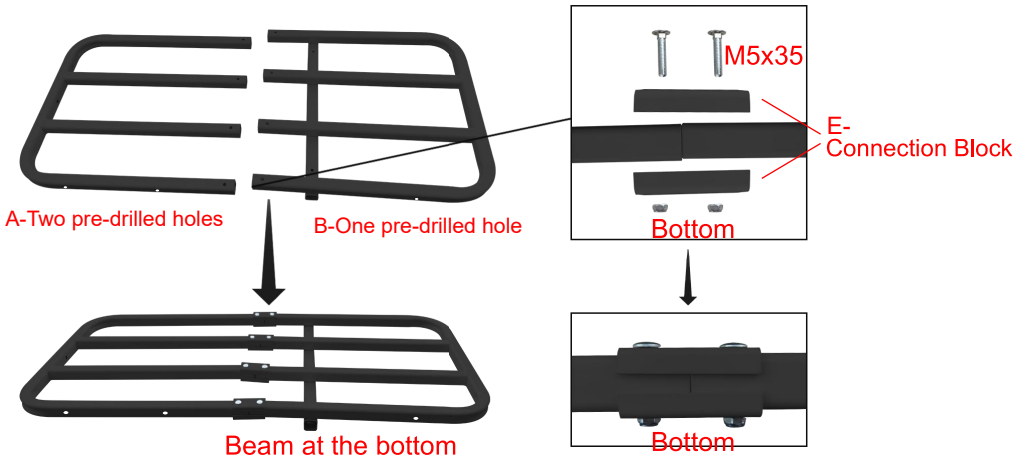
		
Axle x2	Linchpin x2	Axle Spacer x2

		
Fishing Rod Barrel x7	Wrench x1	3mm Hex Wrench x1

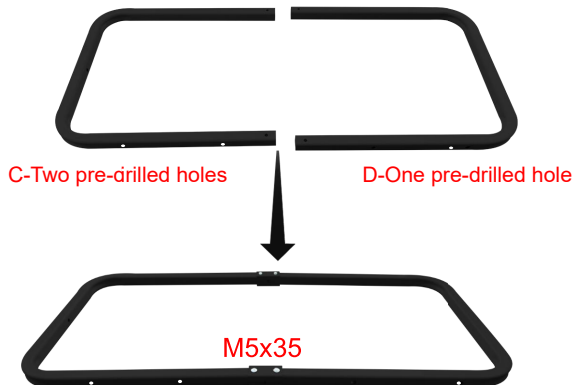
		
4mm Hex Wrench x2	M5x35 Bolts x14 (Need thirteen, one more)	M5x16 Bolts x15 (Need fourteen, one more)

		
M6x20 Bolts x3 (Need two, one more)	M6x50 Bolts x3 (Need two, one more)	User Manual x1

**Step 1:** Connect the two lower frames together using the M5x35 bolts and the connection block.

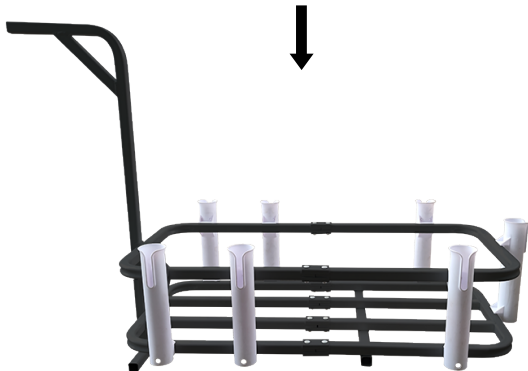
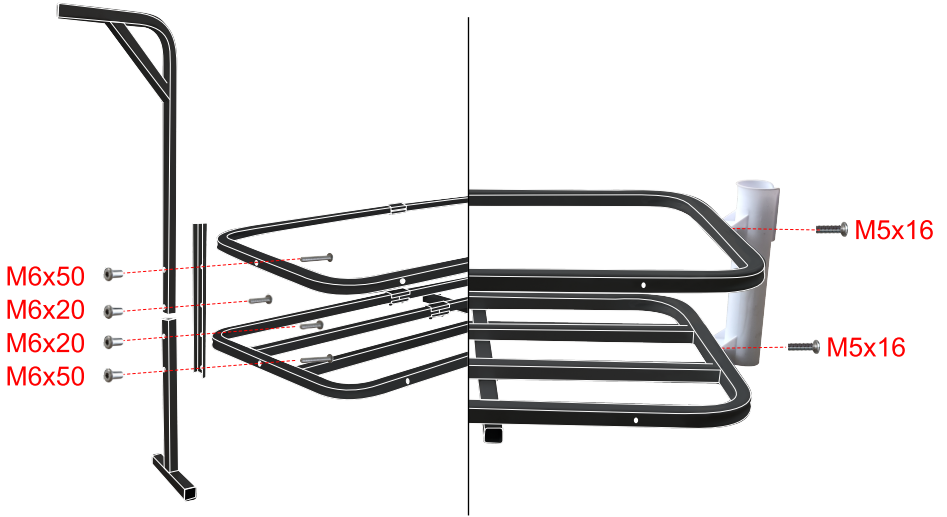
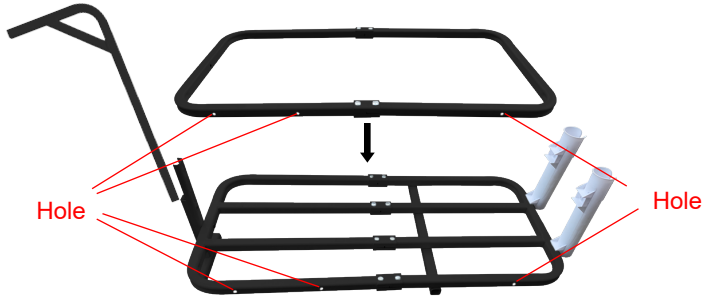


**Step 2:** Attach the upper frame in the same manner.

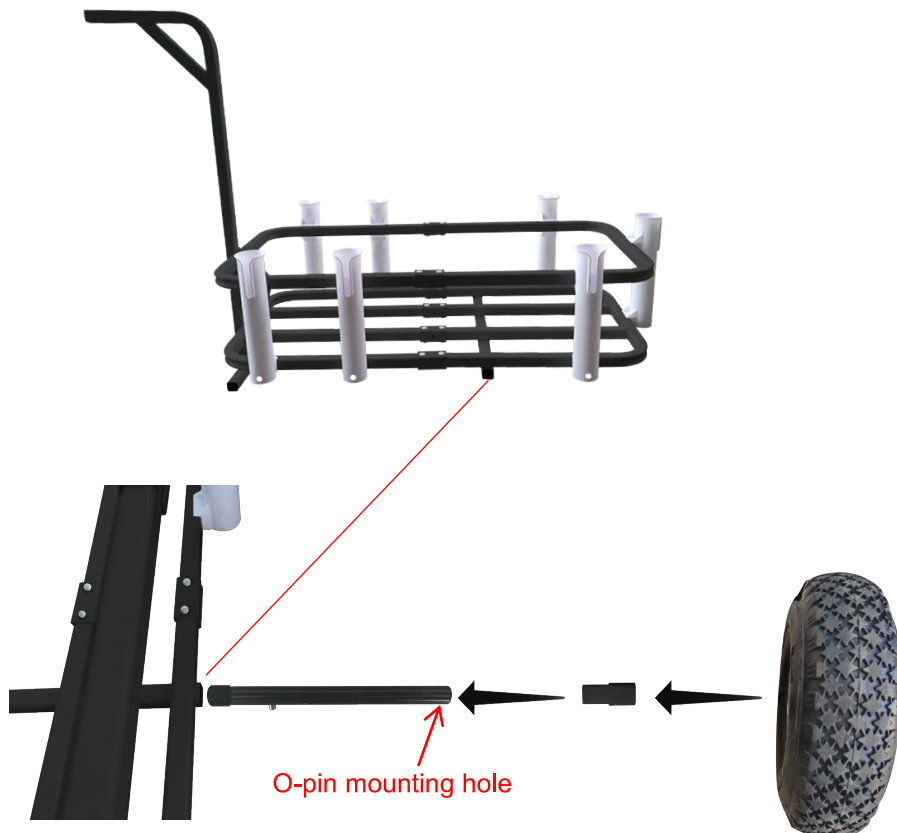


**Step 3:** Mounting the frame.

**NOTE:** The frames have pre-drilled holes for mounting the fishing barrels. The number of pre-drilled holes on the upper and lower frames on the same side should be the same.



**Step 4:** Install all rod barrels, then wheels.



**NOTE:** Insert the axle into the ends of the bottom cross member of the frame, then insert the plastic parts of the axle, and finally install the wheel.

**Step 5:** Put in the washer first, then insert the O-pin.





**Step 6:** Installation complete and pump up the tire before use.

## MAINTENANCE

1. Clean the surface after each use.
2. Please confirm that the cart is intact and the tire pressure is normal before each use.
3. Check that the bolts are tight.

**Manufacturer:** Shanghaimuxinmuyeyouxiangongsi

**Address:** Shuangchenglu 803nong11hao1602A-1609shi, baoshanqu, shanghai 200000 CN.

**Imported to AUS:** SIHAO PTY LTD, 1 ROKEVA STREETEASTWOOD NSW 2122 Australia

**Imported to USA:** Sanven Technology Ltd, Suite 250, 9166 Anaheim Place, Rancho Cucamonga, CA 91730

<b>EC</b>	<b>REP</b>
-----------	------------

E-CrossStu GmbH.  
Mainzer Landstr.69, 60329 Frankfurt am Main.

<b>UK</b>	<b>REP</b>
-----------	------------

YH CONSULTING LIMITED.  
C/O YH Consulting Limited Office 147, Centurion House,  
London Road, Staines-upon-Thames, Surrey, TW18 4AX



**VEVOR<sup>®</sup>**

**TOUGH TOOLS, HALF PRICE**

**Technical Support and E-Warranty Certificate**

**[www.vevor.com/support](http://www.vevor.com/support)**