

# **VEVOR<sup>®</sup>**

**TOUGH TOOLS, HALF PRICE**

Technical Support and E-Warranty Certificate [www.vevor.com/support](http://www.vevor.com/support)

## **ROLLING GARDEN SEAT**

### **USER MANUAL**

We continue to be committed to provide you tools with competitive price.

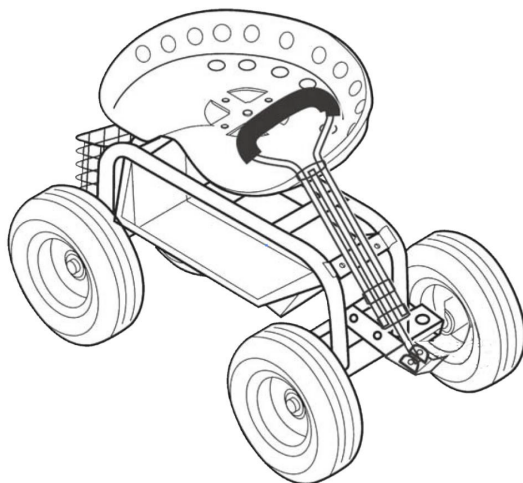
"Save Half", "Half Price" or any other similar expressions used by us only represents an estimate of savings you might benefit from buying certain tools with us compared to the major top brands and does not necessarily mean to cover all categories of tools offered by us. You are kindly reminded to verify carefully when you are placing an order with us if you are actually saving half in comparison with the top major brands.

# VEVOR<sup>®</sup>

TOUGH TOOLS, HALF PRICE

## ROLLING GARDEN SEAT

Model: TC4501S-BL,TC4501S-GN



### NEED HELP? CONTACT US!

Have product questions? Need technical support? Please feel free to contact us:

**Technical Support and E-Warranty Certificate**  
[www.vevor.com/support](http://www.vevor.com/support)

This is the original instruction, please read all manual instructions carefully before operating. VEVOR reserves a clear interpretation of our user manual. The appearance of the product shall be subject to the product you received. Please forgive us that we won't inform you again if there are any technology or software updates on our product.

# IMPORTANT SAFEGUARDS

Read this instruction before using this product. Failure to do so can result in serious injury.

## Assembly precautions

1. Assemble only as instructed. Improper assembly can create hazards.
2. Wear ANSI-approved safety goggles and heavy-duty work gloves during assembly.
3. Keep the assembly area clean and well lit.
4. Keep bystanders out of the area during assembly.
5. Do not assemble when tired or when under the influence of alcohol, drugs or medication.
6. The product capabilities apply to properly and completely assembled products only.
7. For additional information regarding the parts listed in the following pages, please refer to the Assembly Diagram of this manual. Unwrap and separate all parts in a clean work area.
8. For safety reasons, this hardware is recommended to be installed by 2 people

## WARNING:

1. This is not a toy. Not for use by children.
2. Maximum load capacity of Steering seat: 300lb.
3. Maximum load capacity of plastic tray: 5lb.
4. Do NOT overinflate the tires. Maximum pressure is 30psi.  
Check the tire pressure before each use, if the pressure is insufficient, use after inflation.
5. Do NOT use on inclines; the seat may tip. Ensure the rolling Garden Seat is on a level, firm surface.
6. Do NOT operate if any part is damaged or broken.
7. Be careful not to trap fingers or hands in any of the moving parts when opening and closing the Rolling Garden Seat.

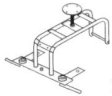
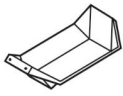



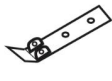


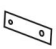
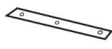


## SAVE THESE INSTRUCTIONS

# SPECIFICATIONS

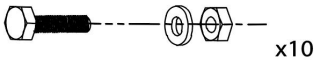
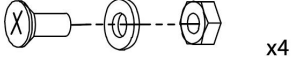


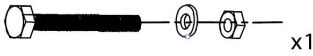

Model	TC4501S-BL
Product Size	760*450*960mm
Color	Blue

Model	TC4501S-GN
Product Size	760*450*960mm
Color	Green

## COMPONENTS

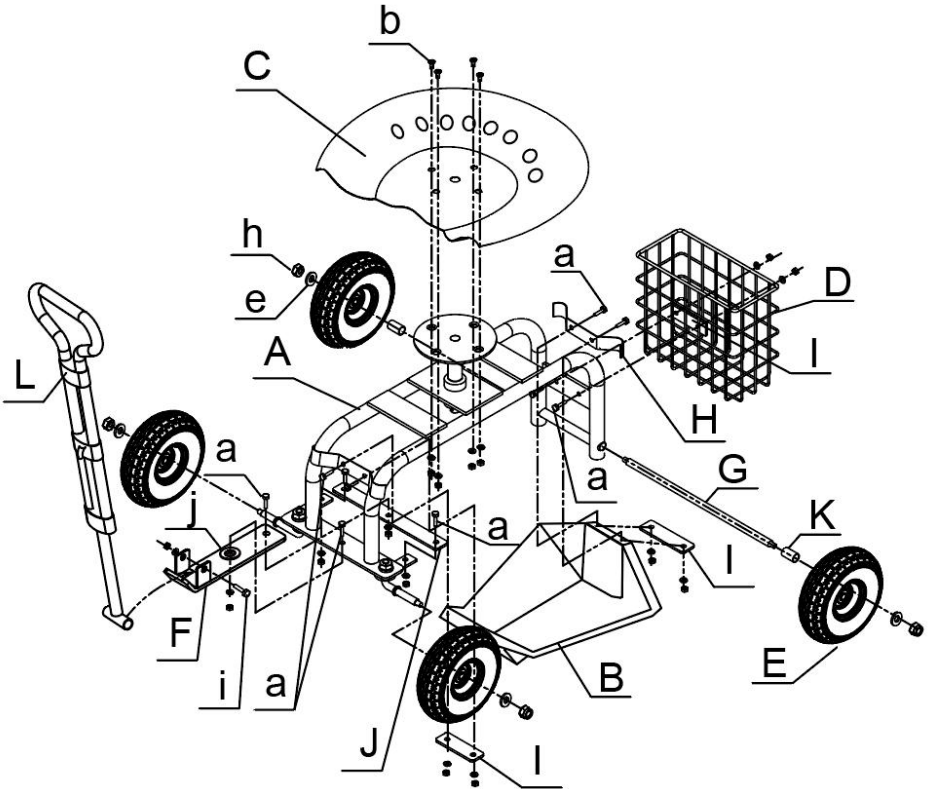
 x1	 x1	 x1	 x1
<b>A</b> Frame	<b>B</b> Plastic Tray	<b>C</b> Seat	<b>D</b> Basket
 x4	 x1	 x1	 x1
<b>E</b> Wheels	<b>F</b> Handle Connector	<b>G</b> Rear Axle	<b>H</b> Rear Tray Support
 x3	 x1	 x2	 x1
<b>I</b> Reinforcing Plates	<b>J</b> Steering Link Connector	<b>K</b> Axle Brackets	<b>L</b> Handle

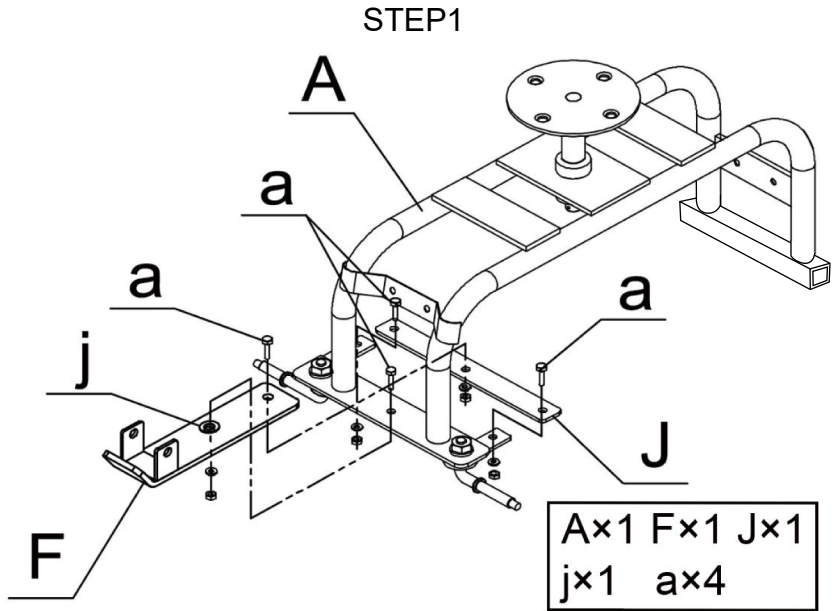


 x10	 x4
<b>a</b> M8x20 Bolts+Flat Washers+Nylon Nuts	<b>b</b> M10x15mm Bolts+Flat Washers+Nylon Nuts
 x4	 x4
<b>e</b> M12 Flat Washers	<b>h</b> M12 Nylon Nuts
 x1	 x1
<b>i</b> M8x60 Bolts+Flat Washers+Nylon Nuts	<b>j</b> M30 Flat Washers

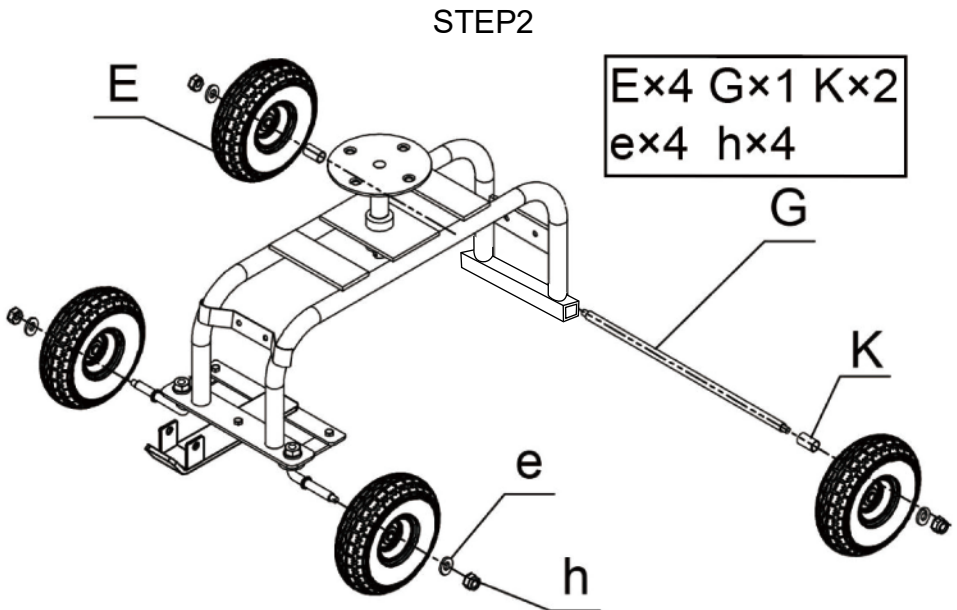
# Assembly Instructions

## Explosion Diagram





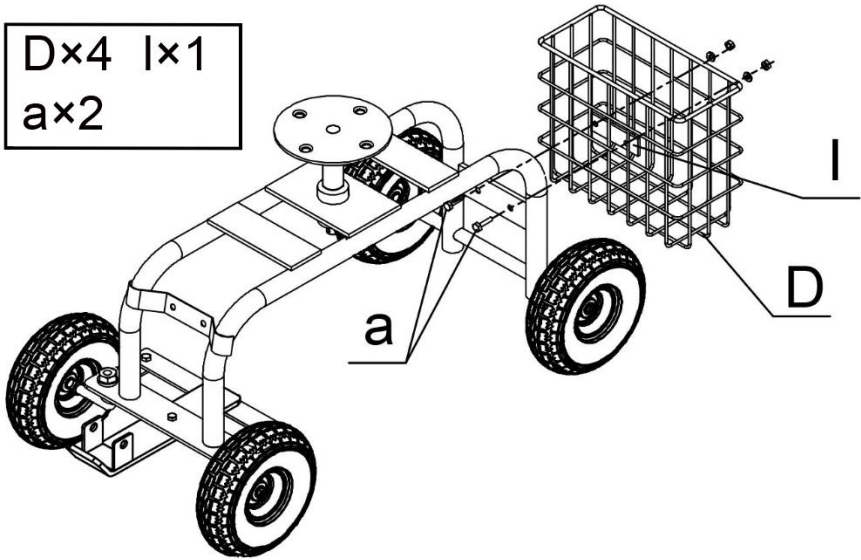
Install the handle controller(F) and steering link connector(J) on the frame(A).  
NOTE: Loosen half a circle after the screw a(4pcs) tightening to ensure that the handle can turn when used;



Install four wheels(E) on the frame(A).

### STEP3

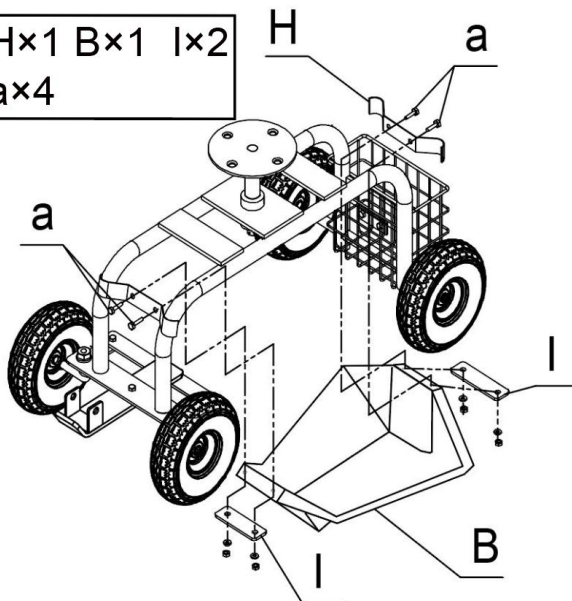
$D \times 4$   $I \times 1$   
 $a \times 2$



Install the basket(D) on the frame(A).

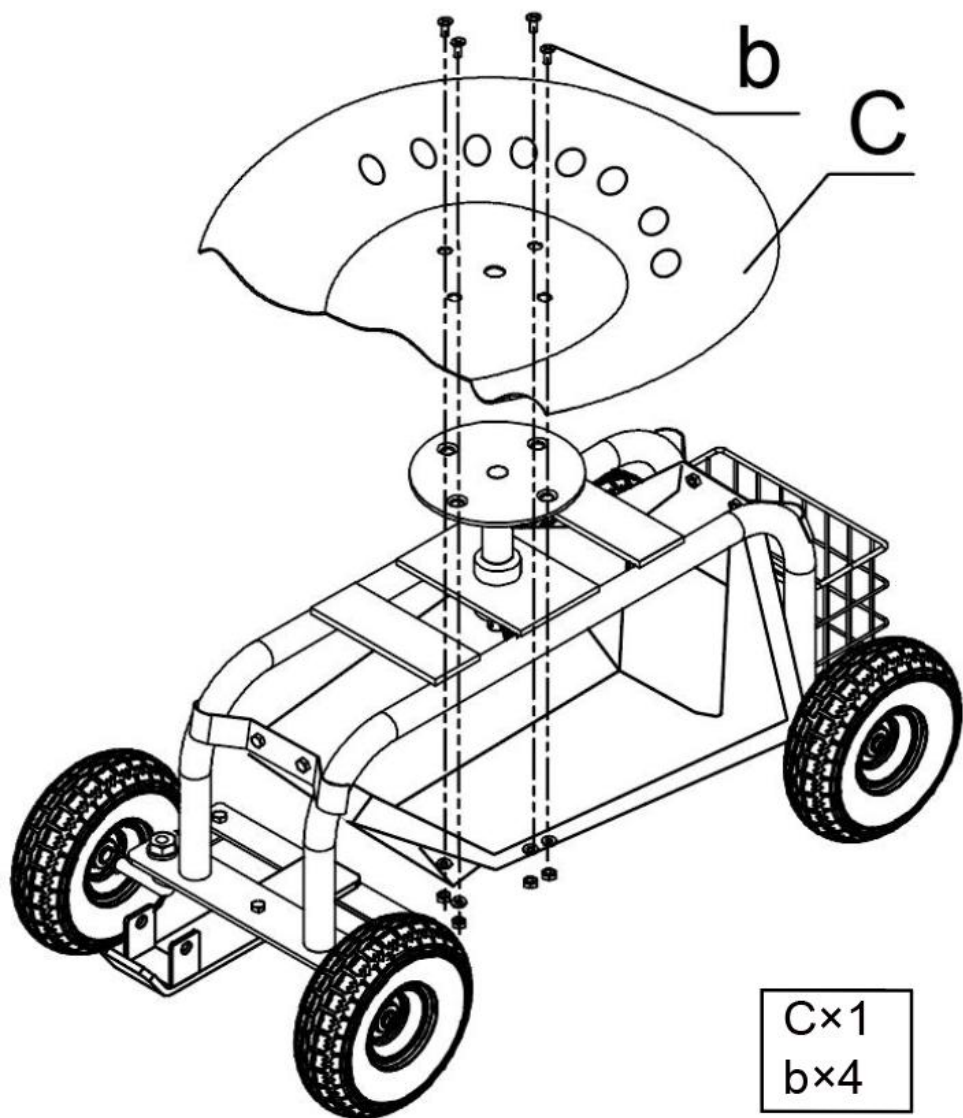
### STEP4

$H \times 1$   $B \times 1$   $I \times 2$   
 $a \times 4$



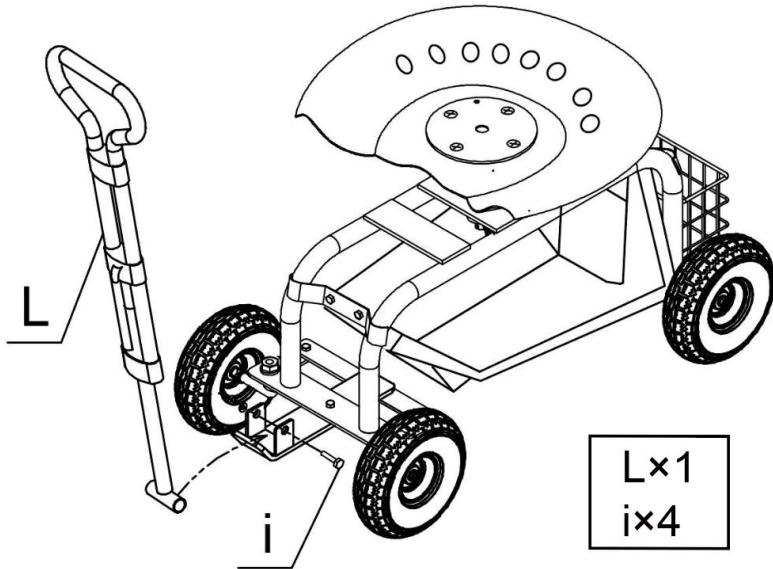
Install the plastic tray(B) on the frame(A).

STEP5



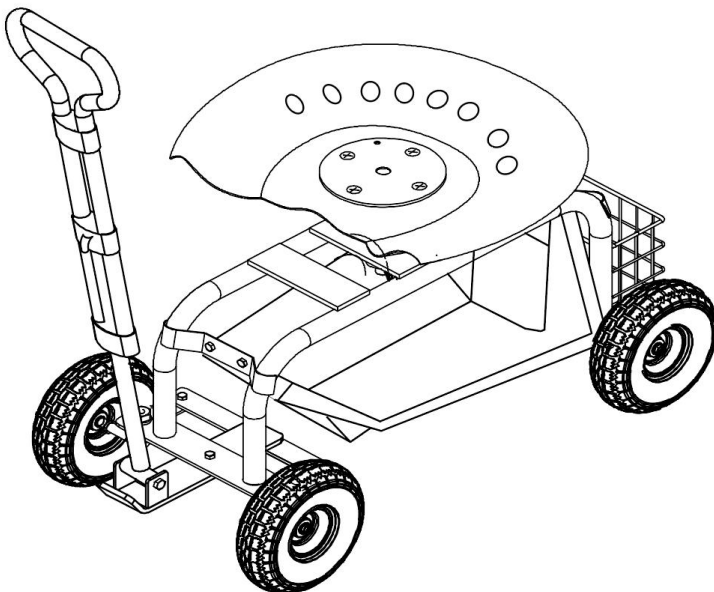
Install the seat(C) on the frame(A).

## STEP6



Install the handle(L) on the handle connector(F).

## STEP7



Finish the installation.

Manufacturer: Shanghaimuxinmuyeyouxiangongsi  
Address: Shuangchenglu 803nong11hao1602A-1609shi, baoshanqu, shanghai  
200000 CN.  
EC REP: E-CrossStu GmbH.  
Mainzer Landstr.69, 60329 Frankfurt am Main.  
UK REP: YH CONSULTING LIMITED.  
C/O YH Consulting Limited Office 147, Centurion House, London Road,  
Staines-upon-Thames, Surrey, TW18 4AX  
Imported to AUS: SIHAO PTY LTD.  
1 ROKEVA STREETEASTWOOD NSW 2122 Australia  
Imported to USA: Sanven Technology Ltd.  
Suite 250, 9166 Anaheim Place, Rancho Cucamonga, CA 91730



**VEVOR**<sup>®</sup>

**TOUGH TOOLS, HALF PRICE**

**Technical Support and E-Warranty Certificate**

**[www.vevor.com/support](http://www.vevor.com/support)**