

# **VEVOR<sup>®</sup>**

**TOUGH TOOLS, HALF PRICE**

Technical Support and E-Warranty Certificate [www.vevor.com/support](http://www.vevor.com/support)

## **FLOATING DESK USER MANUAL**

**MODEL:HZCD002**

We continue to be committed to provide you tools with competitive price.

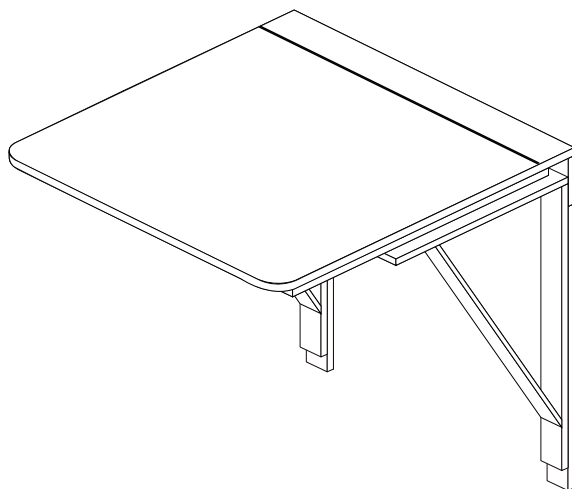
"Save Half", "Half Price" or any other similar expressions used by us only represents an estimate of savings you might benefit from buying certain tools with us compared to the major top brands and does not necessarily mean to cover all categories of tools offered by us. You are kindly reminded to verify carefully when you are placing an order with us if you are actually saving half in comparison with the top major brands.

# VEVOR®

TOUGH TOOLS, HALF PRICE

## FLOATING DESK

MODEL:HZCD002



### NEED HELP? CONTACT US!

Have product questions? Need technical support? Please feel free to contact us:

**Technical Support and E-Warranty Certificate**  
**[www.vevor.com/support](http://www.vevor.com/support)**

This is the original instruction, please read all manual instructions carefully before operating. VEVOR reserves a clear interpretation of our user manual. The appearance of the product shall be subject to the product you received. Please forgive us that we won't inform you again if there are any technology or software updates on our product.

## **SAFETY INSTRUCTIONS**

### **WARNING:**

**Read this material before using this product. Failure to do so can result in serious injury.**

### **Assembly precautions**

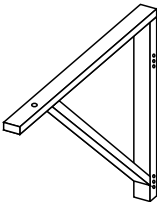
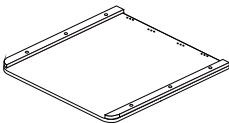
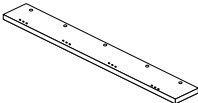
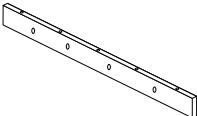
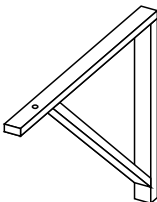


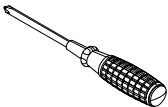
1. Assemble only according to these instructions. Improper assembly can create hazards.
2. Wear ANSI-approved safety goggles and heavy-duty work gloves during assembly.
3. Keep the assembly area clean and well-lit.
4. Keep bystanders out of the area during assembly.
5. Do not assemble when tired or when under the influence of alcohol, drugs or medication.
6. The product capabilities apply to properly and completely assembled products only.
7. Assemble on a flat, level, hard and smooth surface capable of safely supporting the Floating Desk.
8. For additional information regarding the parts listed in the following pages, please refer to the Assembly Diagram of this manual. Unwrap and separate all parts in a clean work area.

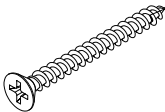
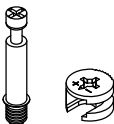

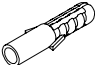
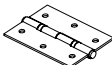

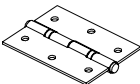

### **Use precautions**

1. DO NOT SIT OR STAND ON THIS ITEM.
2. This product is not a toy. Do not allow children to play with or near this item.
3. Do not exceed weight capacities.
4. Use as intended only.
5. Inspect before every use; do not use if parts are loose or damaged.

**SAVE THIS MANUAL**

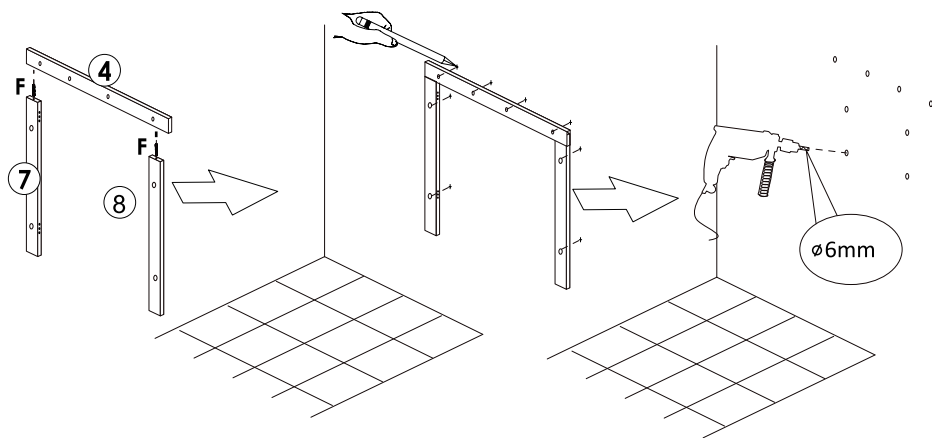
# PARTS LIST

<p>①</p>  <p>1PC</p>	<p>②</p>  <p>1PC</p>	<p>③</p>  <p>1PC</p>	<p>④</p>  <p>1PC</p>
<p>⑥</p>  <p>1PC</p>	<p>⑦</p>  <p>1PC</p>	<p>⑧</p>  <p>1PC</p>	 <p>1PC</p>

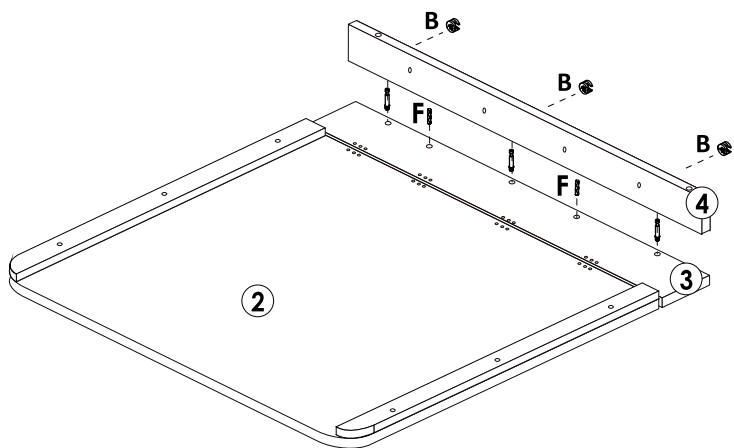
<p><b>A</b></p>  <p>M4x60mm 8+1PCS</p>	<p><b>B</b></p>  <p>3PCS</p>	<p><b>C</b></p>  <p>M3.5x12mm 48+2PCS</p>	<p><b>D</b></p>  <p>8+1PCS</p>
<p><b>E (S)</b></p>  <p>4PCS</p>	<p><b>F</b></p>  <p>∅ 6x30mm 4PCS</p>	<p><b>G (L)</b></p>  <p>4PCS</p>	<p><b>H</b></p>  <p>∅ 6x20mm 2PCS</p>



# INSTRUCTIONS

## STEP 1

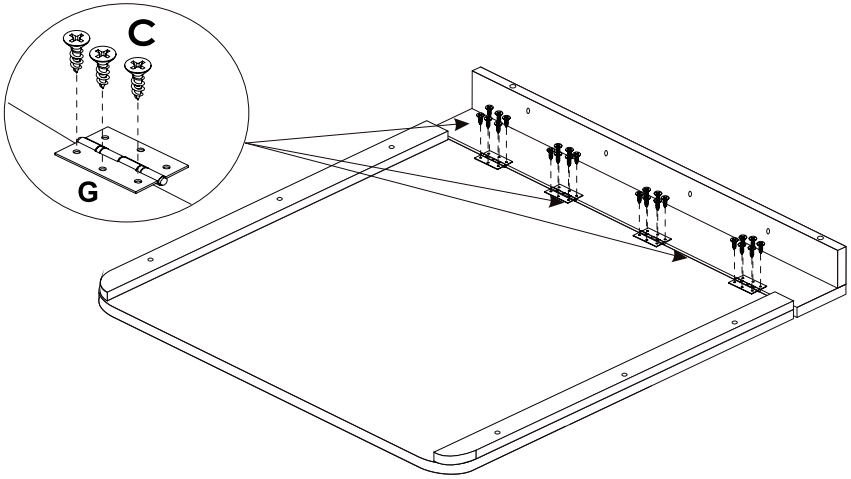




## STEP 2



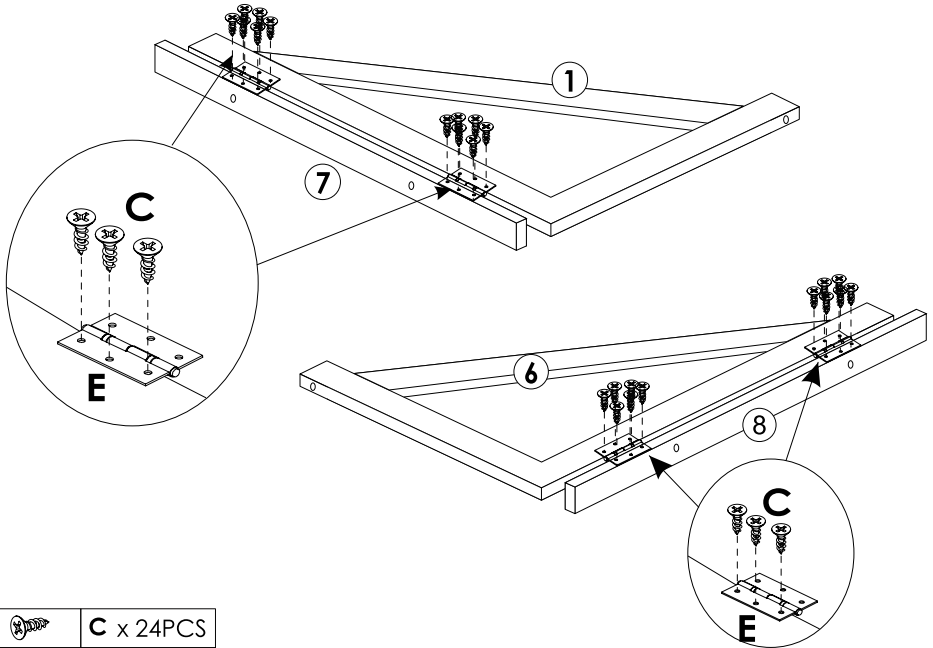
	<b>F</b> x 2PCS
	<b>B</b> x 3PCS



### STEP 3



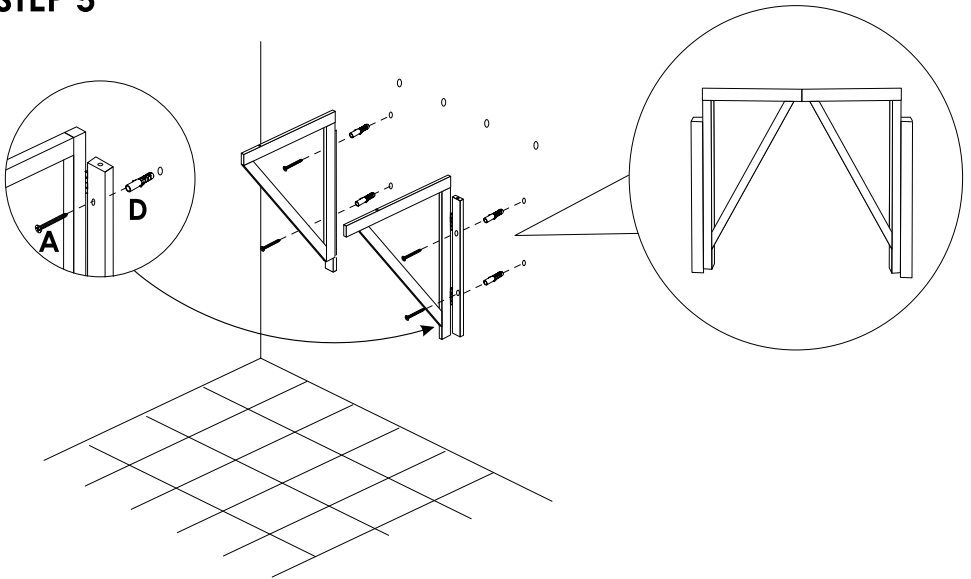
	C x 24PCS
	G x 4PCS

### STEP 4



	C x 24PCS
	E x 4PCS

## STEP 5

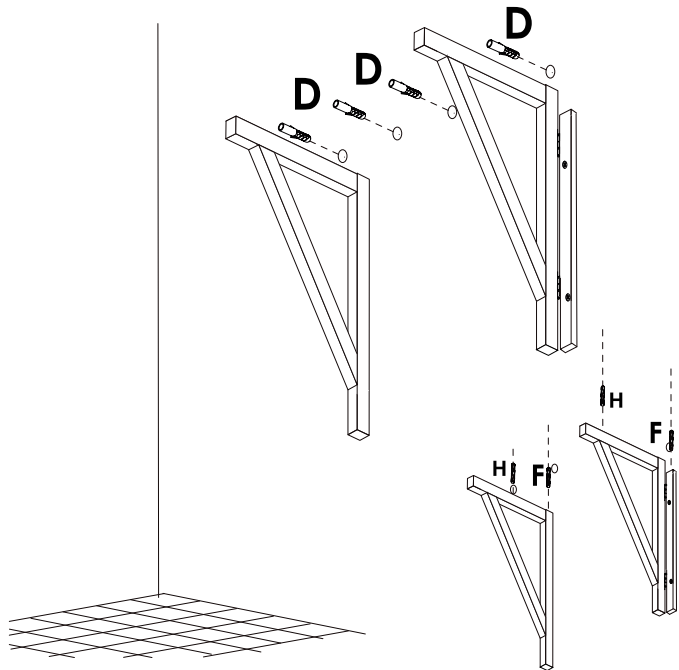


**A** x 4PCS



**D** x 4PCS

## STEP 6



**F** x 2PCS

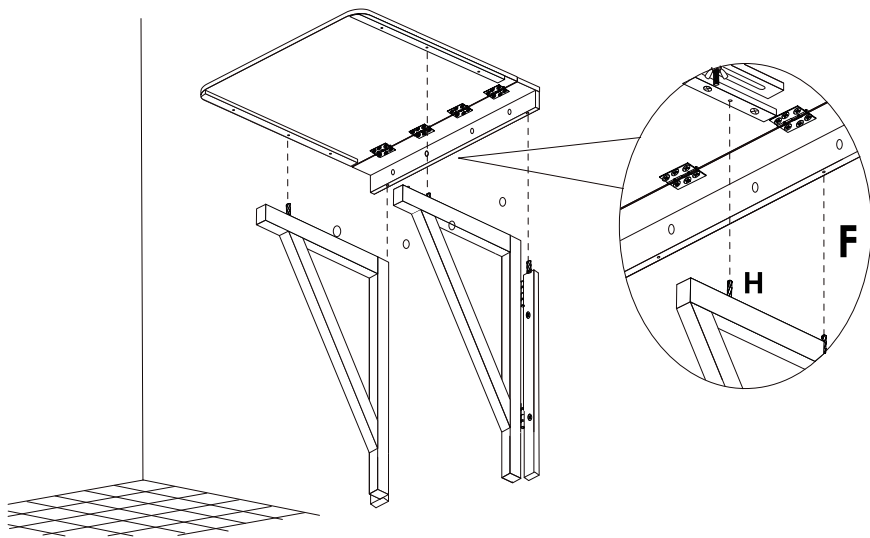


**H** x 2PCS

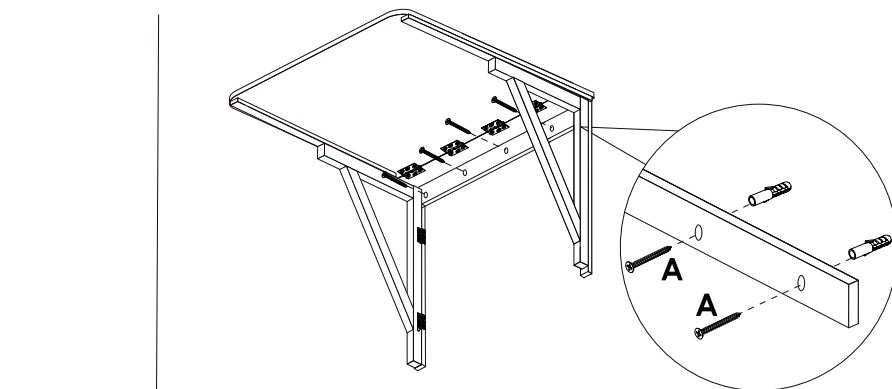


**D** x 4PCS

## STEP 7



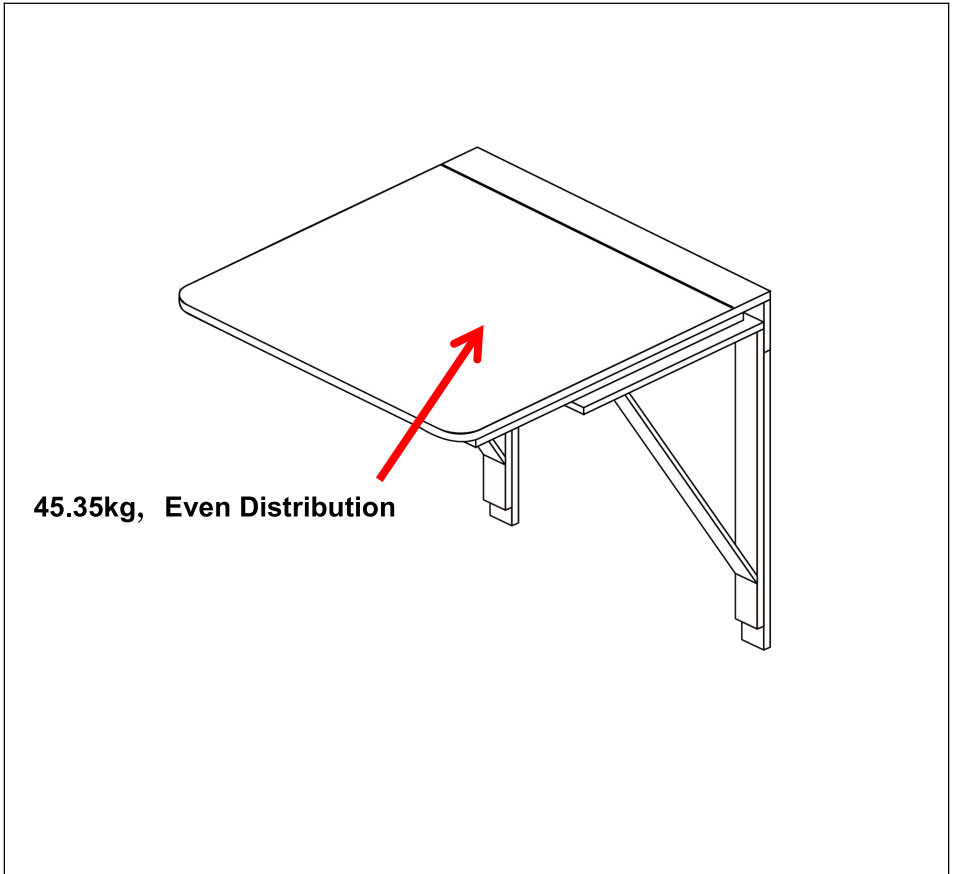
## STEP 8



**A** x 4PCS



## COMPLETION



## PRODUCT PARAMETER

Model	HZCD002
Safe Loading Weight	45.35kg
Product Size	800*599*438mm

Manufacturer: Shanghaimuxinmuyeyouxiangongsi

Address: Shuangchenglu 803nong11hao1602A-1609shi,  
baoshanqu, shanghai 200000 CN.

Imported to AUS: SIHAO PTY LTD. 1 ROKEVA STREET-  
EASTWOOD NSW 2122 Australia

Imported to USA: Sanven Technology Ltd. Suite 250, 9166  
Anaheim Place, Rancho Cucamonga, CA 91730



E-CrossStu GmbH  
Mainzer Landstr.69, 60329 Frankfurt am Main.



YH CONSULTING LIMITED.  
C/O YH Consulting Limited Office 147, Centurion House,  
London Road, Staines-upon-Thames, Surrey, TW18 4AX



**VEVOR<sup>®</sup>**

**TOUGH TOOLS, HALF PRICE**

**Technical Support and E-Warranty Certificate**

**[www.vevor.com/support](http://www.vevor.com/support)**