

# **VEVOR<sup>®</sup>**

## **TOUGH TOOLS, HALF PRICE**

Technical Support and E-Warranty Certificate [www.vevor.com/support](http://www.vevor.com/support)

### **SOAP CUTTER**

#### **MODEL: KH-Q02**

We continue to be committed to provide you tools with competitive price.

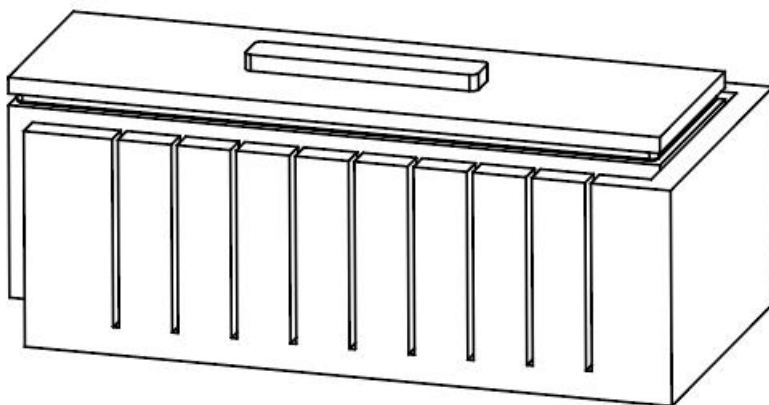
"Save Half", "Half Price" or any other similar expressions used by us only represents an estimate of savings you might benefit from buying certain tools with us compared to the major top brands and does not necessarily mean to cover all categories of tools offered by us. You are kindly reminded to verify carefully when you are placing an order with us if you are actually saving half in comparison with the top major brands.

# VEVOR<sup>®</sup>

TOUGH TOOLS, HALF PRICE

## SOAP CUTTER

MODEL: KH-Q02



### NEED HELP? CONTACT US!

Have product questions? Need technical support? Please feel free to contact us:

**Technical Support and E-Warranty Certificate**  
**[www.vevor.com/support](http://www.vevor.com/support)**

This is the original instruction, please read all manual instructions carefully before operating. VEVOR reserves a clear interpretation of our user manual. The appearance of the product shall be subject to the product you received. Please forgive us that we won't inform you again if there are any technology or software updates on our product.

## SAFETY INSTRUCTIONS

**WARNING:** Always follow basic safety precautions when using these devices.

These include:

- 1.The device should not be used with children alone. There are blades or steels wire on the device. Children may encounter injury accidents. Therefore, this product should be placed in a position not touched by children.
- 2.For optimal operation and service life of the device, please follow the instructions.
3. Always clean this equipment immediately after every use.To maintain the appearance and increase the service life,clean it daily.
- 4.Care should be taken not to touch the banging blades or steels directly or to operate with gloves during operation.
- 5.Do not put these devices in a dishwasher or other automatic cleaning device for cleaning.
- 6.The use of accessories or modifications not provided by the manufacturer may cause hazards.
- 7.Only use this equipment for cutting soap! This product is not suitable for processing foods.
- 8.Before using this equipment for the first time, please remove all packaging and fixing materials according to the illustration and use them after installation.
- 9.To the replace blade or steel sets, please ensure that the specification and models of blade plate are consistent.

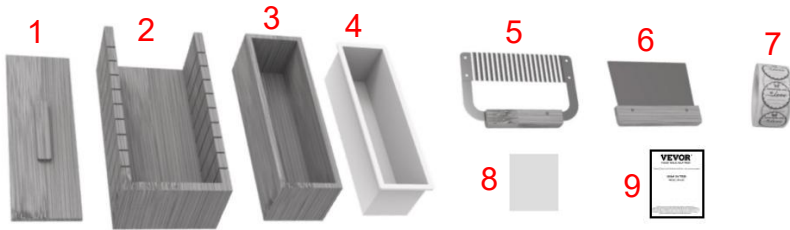
**WARNING:** Blades or steels can cause cuts. To avoid injury from blades or steels, handle with care and watch your fingers.

## SAVE THESE INSTRUCTIONS

## MODEL AND PARAMETERS

|                        |   |
|------------------------|---|
| <b>Model</b>           | KH-Q02  |
| <b>Cutting Mode</b>    | Knife Cutting                                 |
| <b>Cutting Spacing</b> | 1inch   |
| <b>Capacity</b>        | 48oz  |
| <b>Material</b>        | Bamboo & Stainless Steel & Silica Gel & PP/PE |

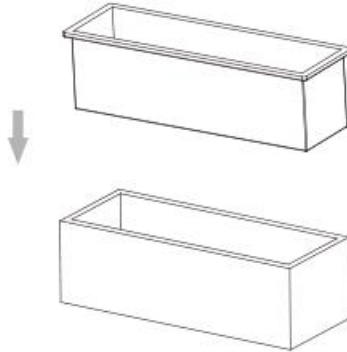
## COMPONENTS



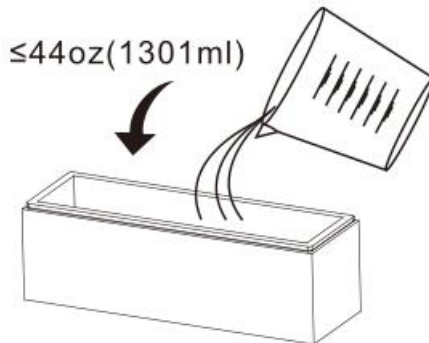
| No. | Name                        | Qty |
|-----|-----------------------------|-----|
| 1   | lid                         | 1   |
| 2   | Soap cutting frame          | 1   |
| 3   | Silicone mold placement box | 1   |
| 4   | Silicone mold               | 1   |
| 5   | Wavy cutter                 | 1   |
| 6   | Straight edge cutter        | 1   |
| 7   | Sealing sticker             | 105 |
| 8   | Plastic bag                 | 100 |
| 9   | User Manual                 | 1   |

## OPERATION

1. Place the silicone mold(4) into the silicone mold placement box(3).

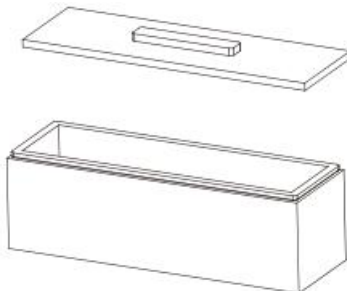


2. Pour the melted soap (less than 44oz) into the silicone mold.

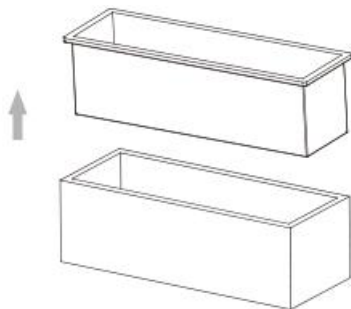


**NOTE:** To make personalized soap, you need to learn more manufacturing methods and recipes for modulation.

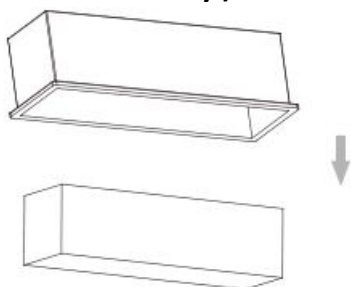
3. Put the lid on and let it sit in a horizontal position for 1 to 2 hours while the soap takes shape.



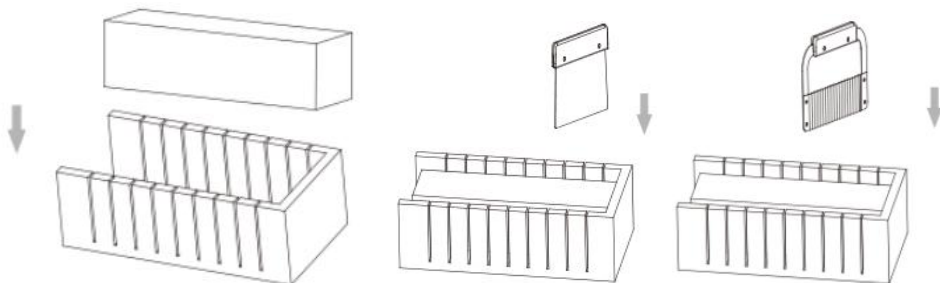
**4. When complete solidification, remove the silicone mold from the mold box carefully.**



**5. Remove the soap from the mold to get the molded soap carefully. (Flip the silicone perimeter if necessary.)**



**6. Place the soap into the soap cutting frame carefully, choose your favorite shape knife and align it with the knife slot to make a cutting.**



## MAINTENANCE

1. Wash and dry with water after each use.
2. Keep out of reach of children.

**Address:** Shuangchenglu 803nong11hao1602A-1609shi, baoshanqu, shanghai 200000 CN.

**Imported to AUS:** SIHAO PTY LTD, 1 ROKEVA STREETEASTWOOD NSW 2122 Australia

**Imported to USA:** Sanven Technology Ltd., Suite 250, 9166 Anaheim Place, Rancho Cucamonga, CA 91730

|           |            |
|-----------|------------|
| <b>EC</b> | <b>REP</b> |
|-----------|------------|

E-CrossStu GmbH  
Mainzer Landstr.69, 60329 Frankfurt am Main.

|           |            |
|-----------|------------|
| <b>UK</b> | <b>REP</b> |
|-----------|------------|

YH CONSULTING LIMITED.  
C/O YH Consulting Limited Office 147, Centurion House,  
London Road, Staines-upon-Thames, Surrey, TW18 4AX

**VEVOR<sup>®</sup>**

**TOUGH TOOLS, HALF PRICE**

**Technical Support and E-Warranty Certificate**

**[www.vevor.com/support](http://www.vevor.com/support)**