

# **VEVOR<sup>®</sup>**

**TOUGH TOOLS, HALF PRICE**

Technical Support and E-Warranty Certificate [www.vevor.com/support](http://www.vevor.com/support)

## **SHOE CABINET USER MANUAL**

**MODEL:HZW002**

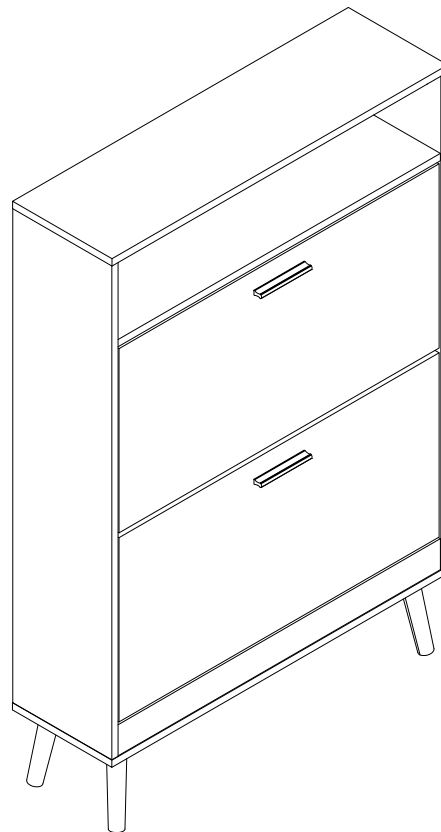
We continue to be committed to provide you tools with competitive price. "Save Half", "Half Price" or any other similar expressions used by us only represents an estimate of savings you might benefit from buying certain tools with us compared to the major top brands and does not necessarily mean to cover all categories of tools offered by us. You are kindly reminded to verify carefully when you are placing an order with us if you are actually saving half in comparison with the top major brands.

# VEVOR<sup>®</sup>

TOUGH TOOLS, HALF PRICE

## SHOE CABINET

MODEL:HZW002



### NEED HELP? CONTACT US!

Have product questions? Need technical support? Please feel free to contact us:

 [CustomerService@vevor.com](mailto:CustomerService@vevor.com)

This is the original instruction, please read all manual instructions carefully before operating. VEVOR reserves a clear interpretation of our user manual. The appearance of the product shall be subject to the product you received. Please forgive us that we won't inform you again if there are any technology or software updates on our product.

## SAFETY INSTRUCTIONS

### **WARNING:**

Read this instructions carefully before using this product. Failure to do so can result in serious injury.

### **Assembly precautions**

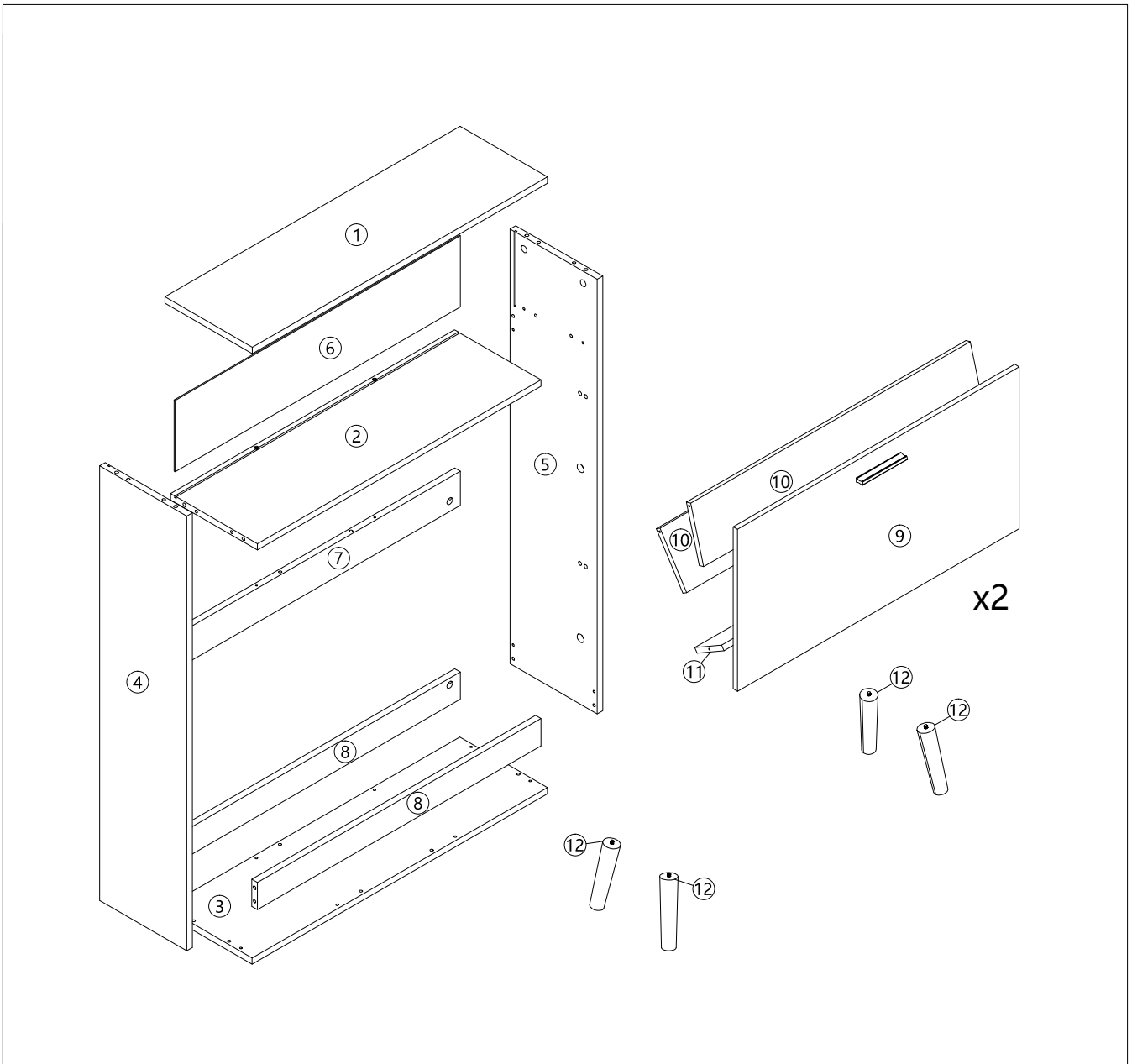
1. Assemble only should be according to these instructions. Improper assembly can result in hazards.
2. Wear ANSI-approved safety goggles and heavy-duty work gloves during assembly.
3. Keep the assembly area clean and well-lit.
4. Keep bystanders out of the area during assembly.
5. Do not assemble when tired or when under the influence of alcohol, drugs or medication.
6. The product capabilities apply to properly and completely assembled products only.
7. Assemble on a flat, level, hard and smooth surface capable of safely supporting the [shoe cabinet](#).
8. For additional information regarding the parts listed in the following pages, please refer to the Assembly Diagram of this manual. Unwrap and separate all parts in a clean work area.

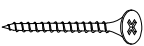





















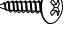
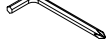
### **Use precautions**

1. DO NOT SIT OR STAND ON THIS ITEM.
2. This product is not a toy. Do not allow children to play with or near this item.
3. Do not exceed weight capacities.
4. Use only on a flat, level, hard and smooth surface capable of safely supporting a fully loaded [shoe cabinet](#).
5. Use as intended only.
6. Inspect before every use; do not use if parts are loose or damaged.

## **SAVE THESE INSTRUCTIONS**

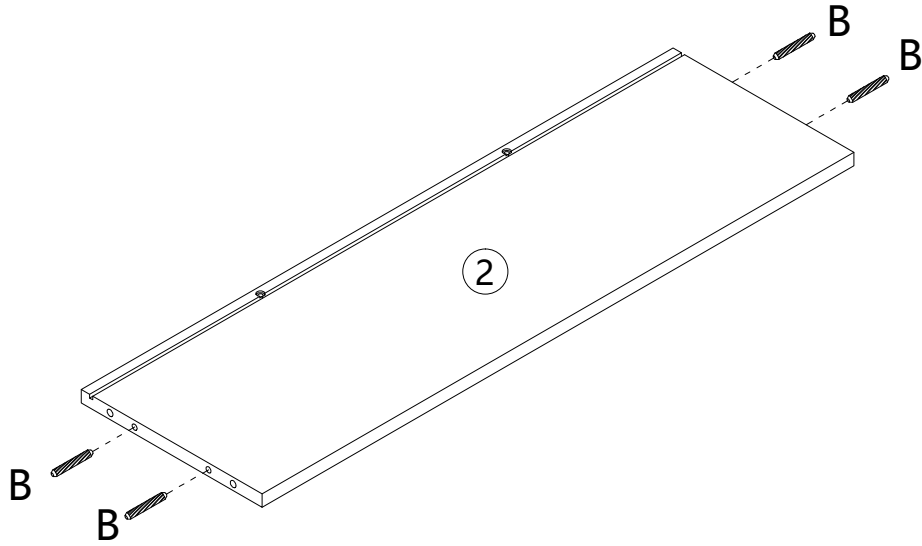
# PARTS LIST



 4x40mm <b>A</b>   12+1PCS	 6x30mm <b>B</b>   24+2PCS	 4x16mm <b>C</b>   4PCS	 96mm <b>D</b>   2PCS	 ø10mm <b>E</b>   4PCS	 6x35mm <b>F</b>   14+1PCS	 ø15x9mm <b>G</b>   14+1PCS	
 3.5x14mm <b>H</b>   24+2PCS	 I1	 I2	 I3	 <b>J</b>   4PCS	 4x10mm <b>K</b>   4PCS	 <b>L</b>   2PCS	 <b>M</b>   2PCS
 6x30mm <b>N</b>   2PCS	 ø20mm <b>O</b>   4PCS	 ø20mm <b>P</b>   4PCS	 <b>Q</b>   4PCS	 <b>R</b>   2PCS	 <b>S</b>   4PCS	 3x14mm <b>T</b>   6PCS	
 4x12mm <b>U</b>   16+2PCS	 4x62mm <b>V</b>   1PC						

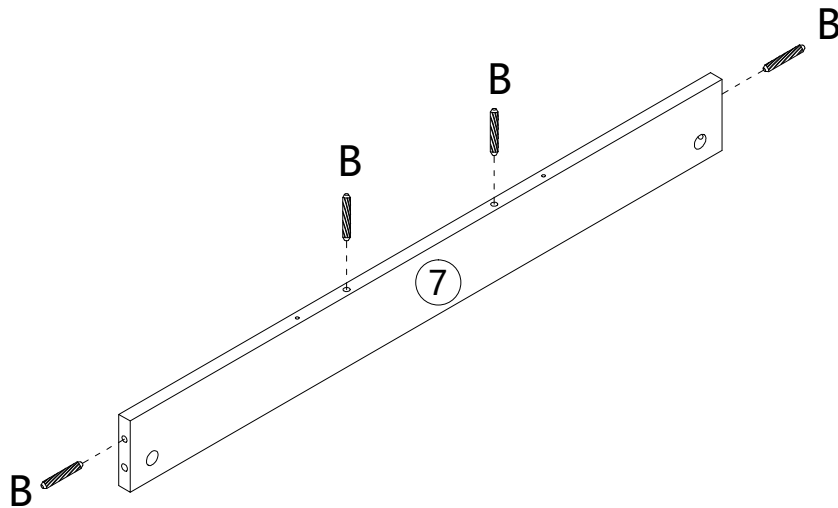
# ASSEMBLY STEP

1



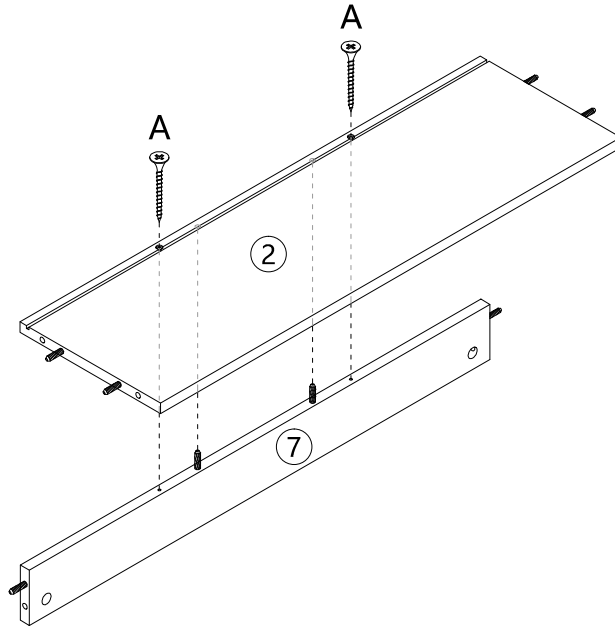
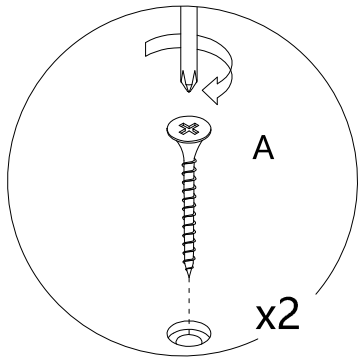
**B x 4PCS**

2



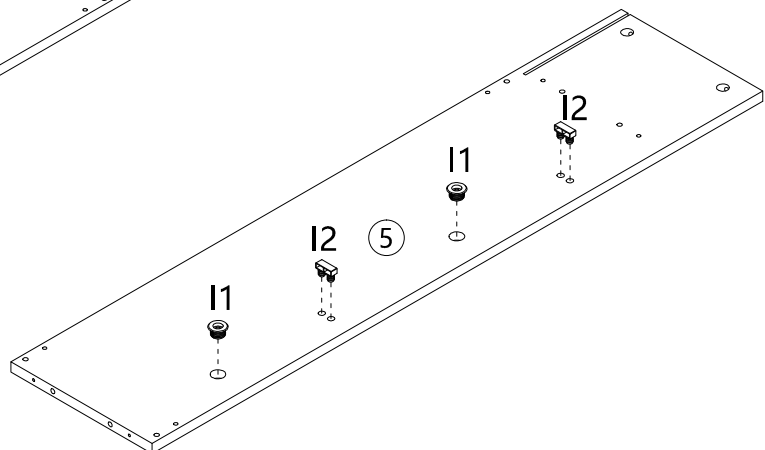
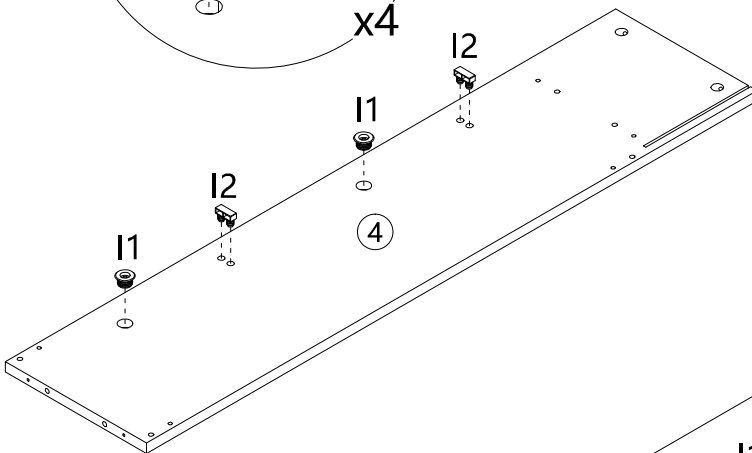
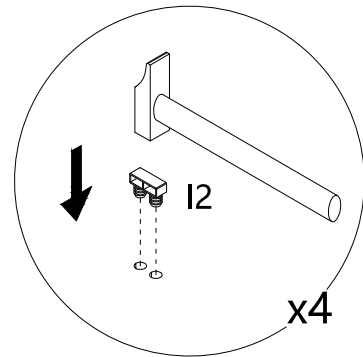
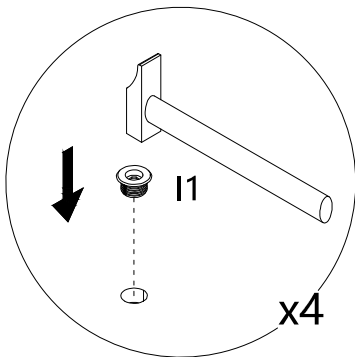
**B x 4PCS**

3



A x 2PCS

4

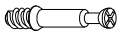
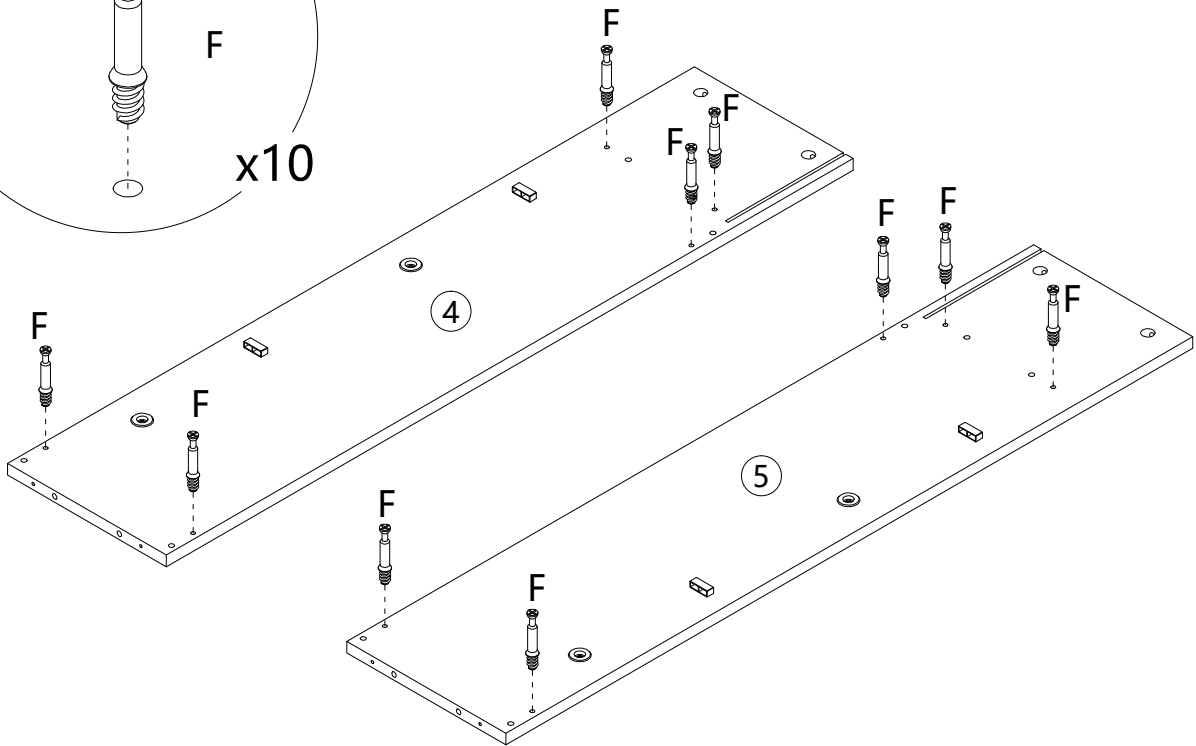
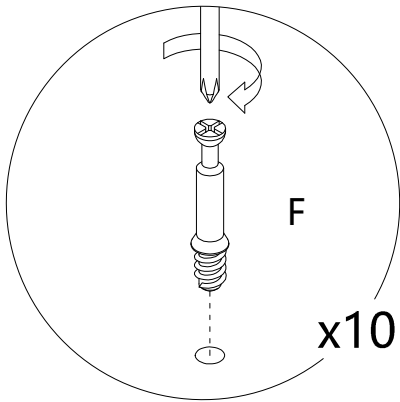


I1 x 4PCS



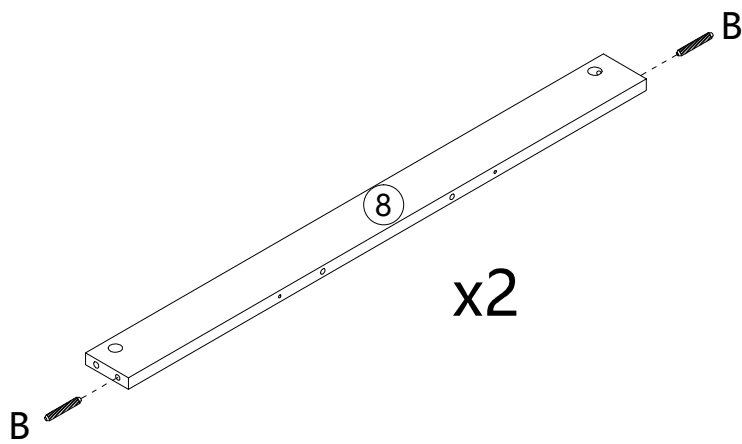
I2 x 4PCS

5



**F x 10PCS**

6

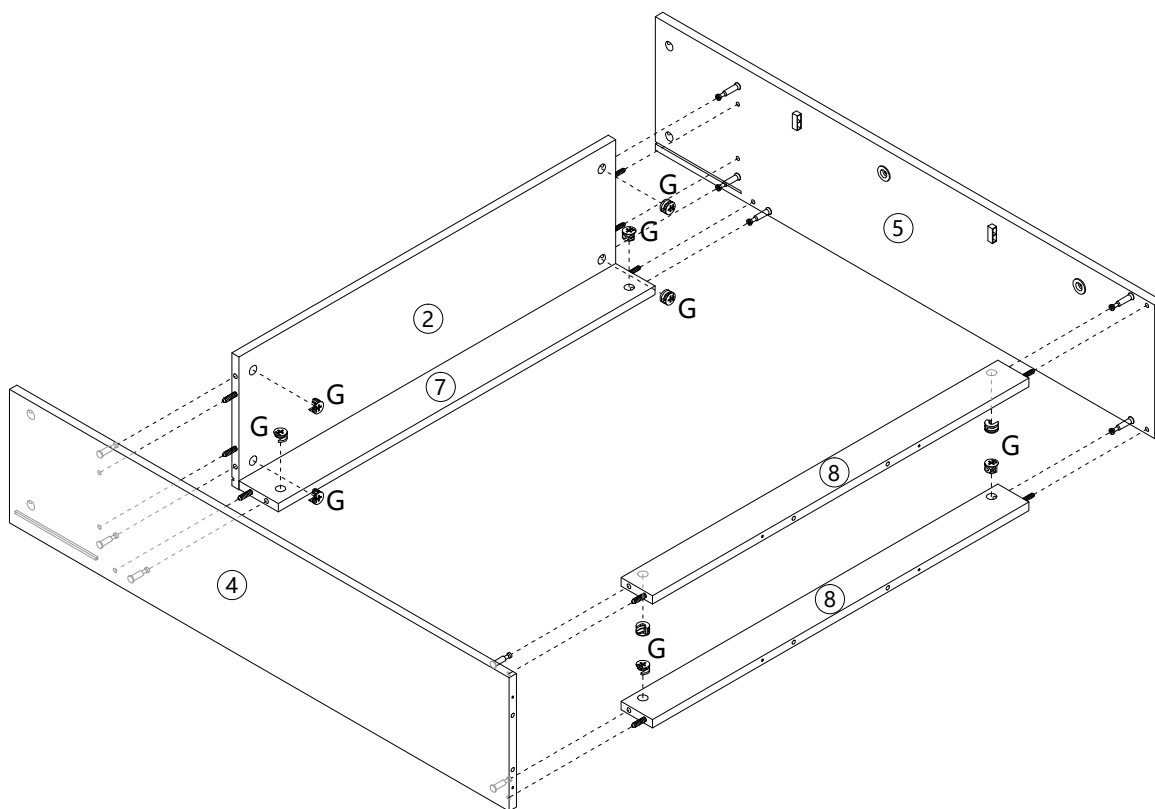
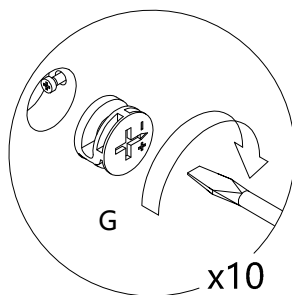


**x2**



**B x 4PCS**

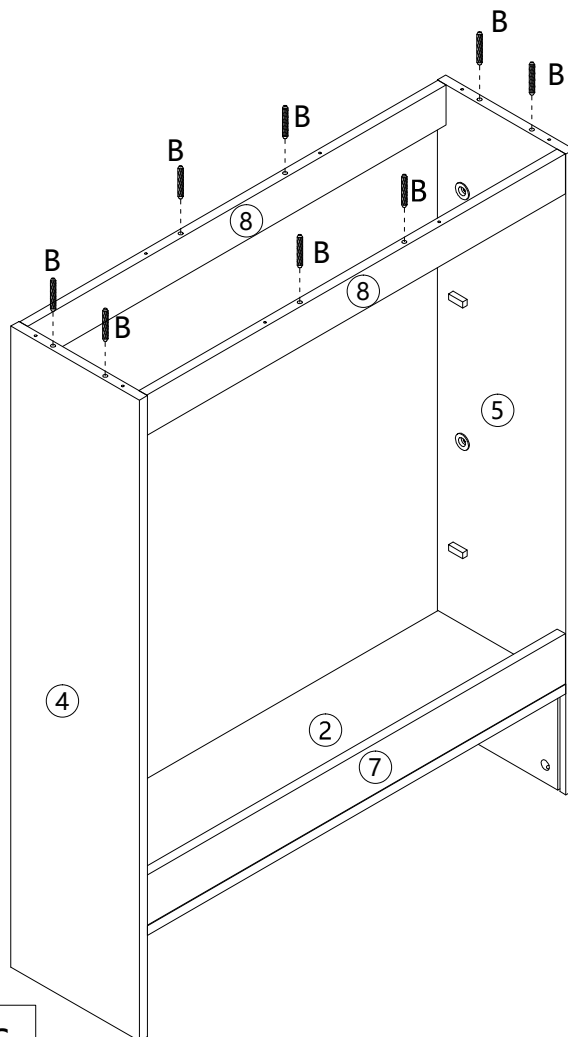
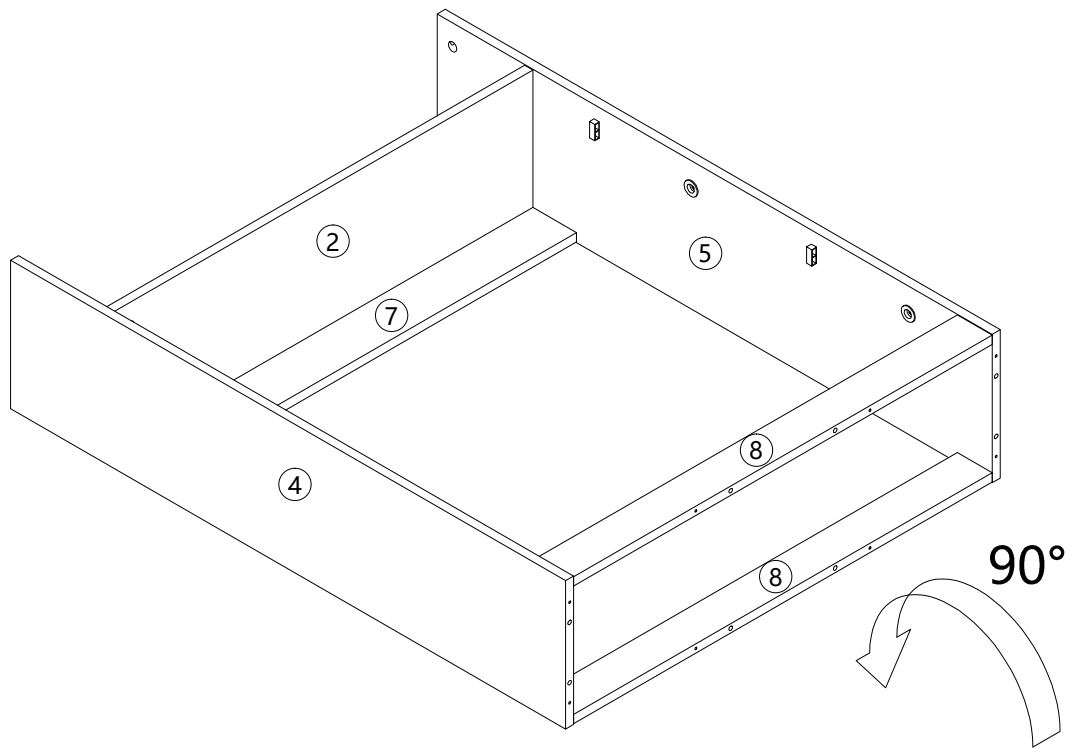
7



**G x 10PCS**

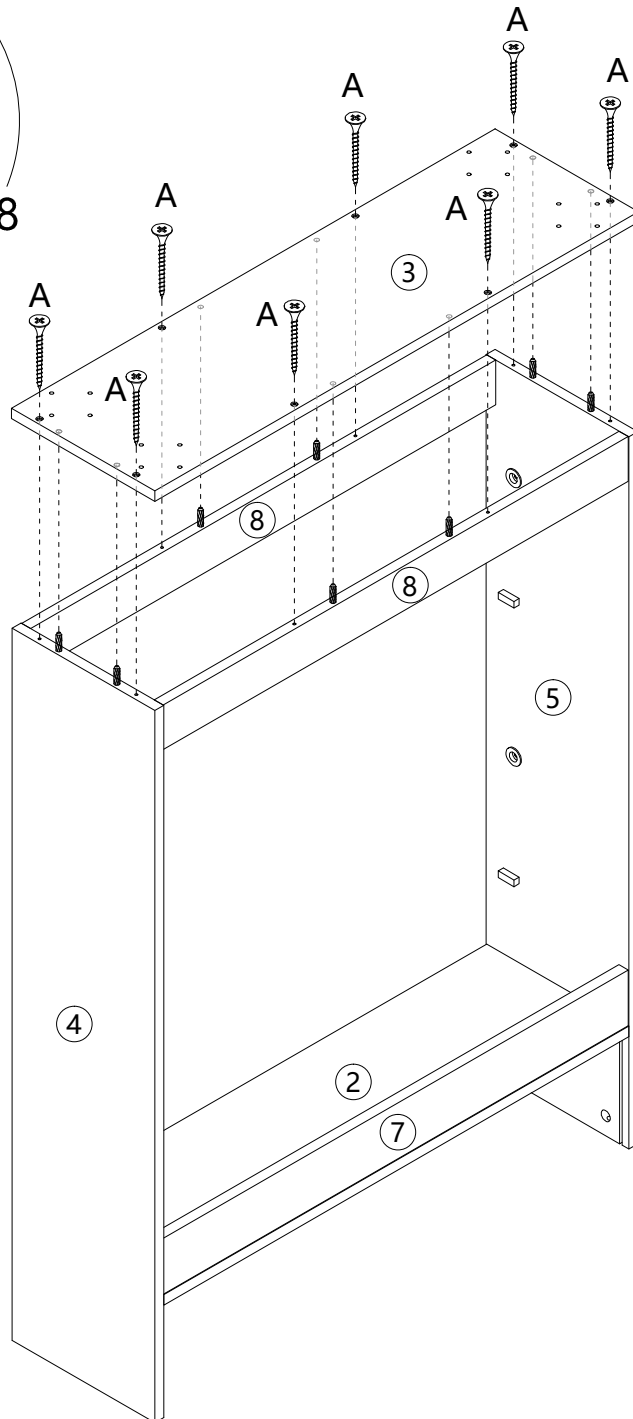
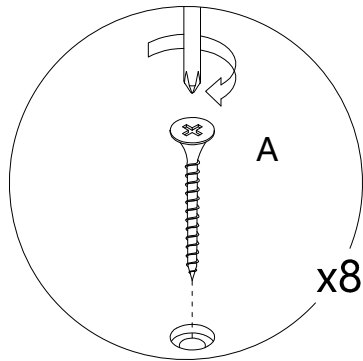


8



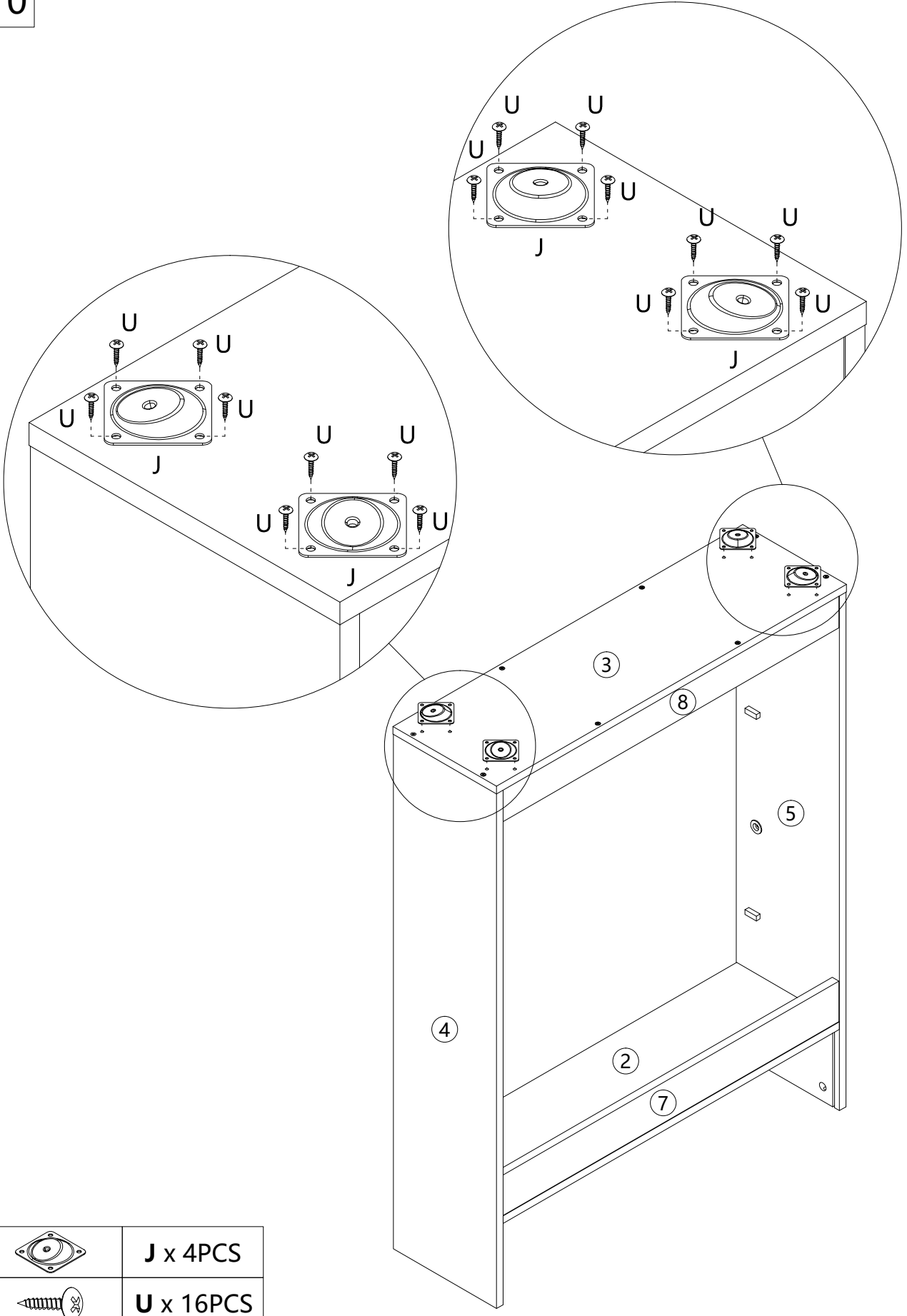
**B x 8PCS**


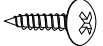
9



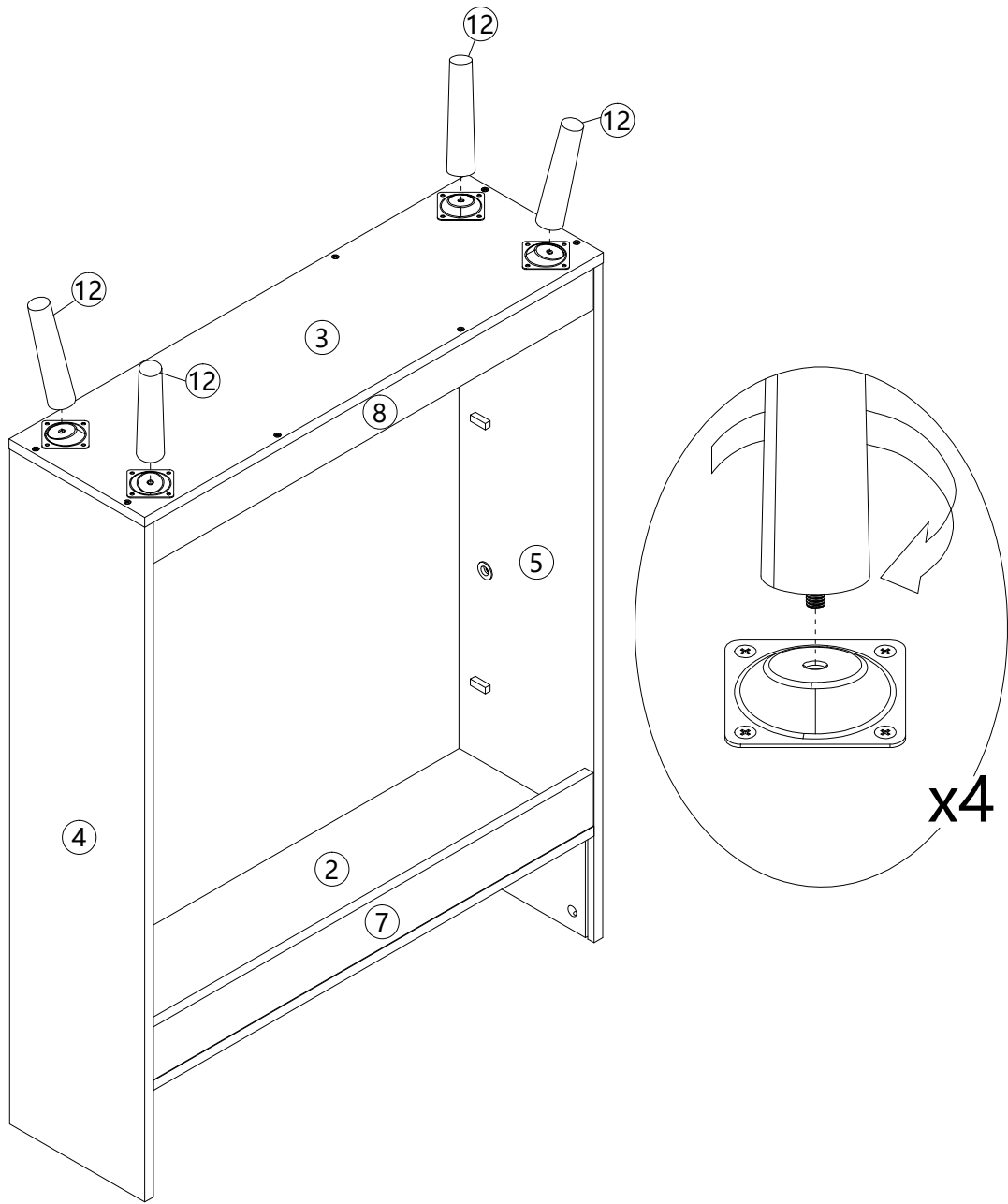
A x 8PCS

10

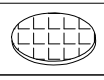
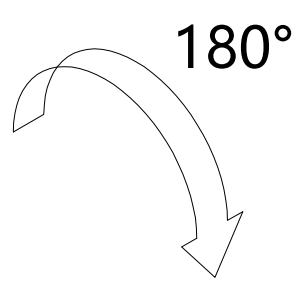
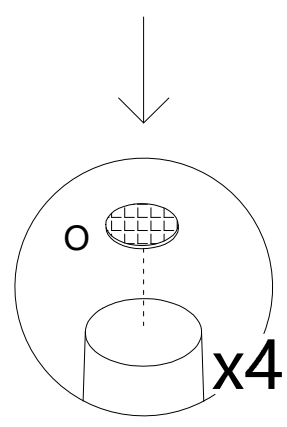
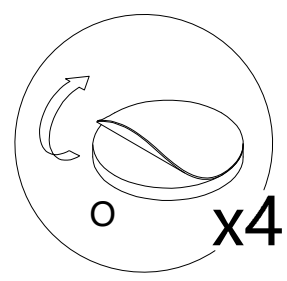
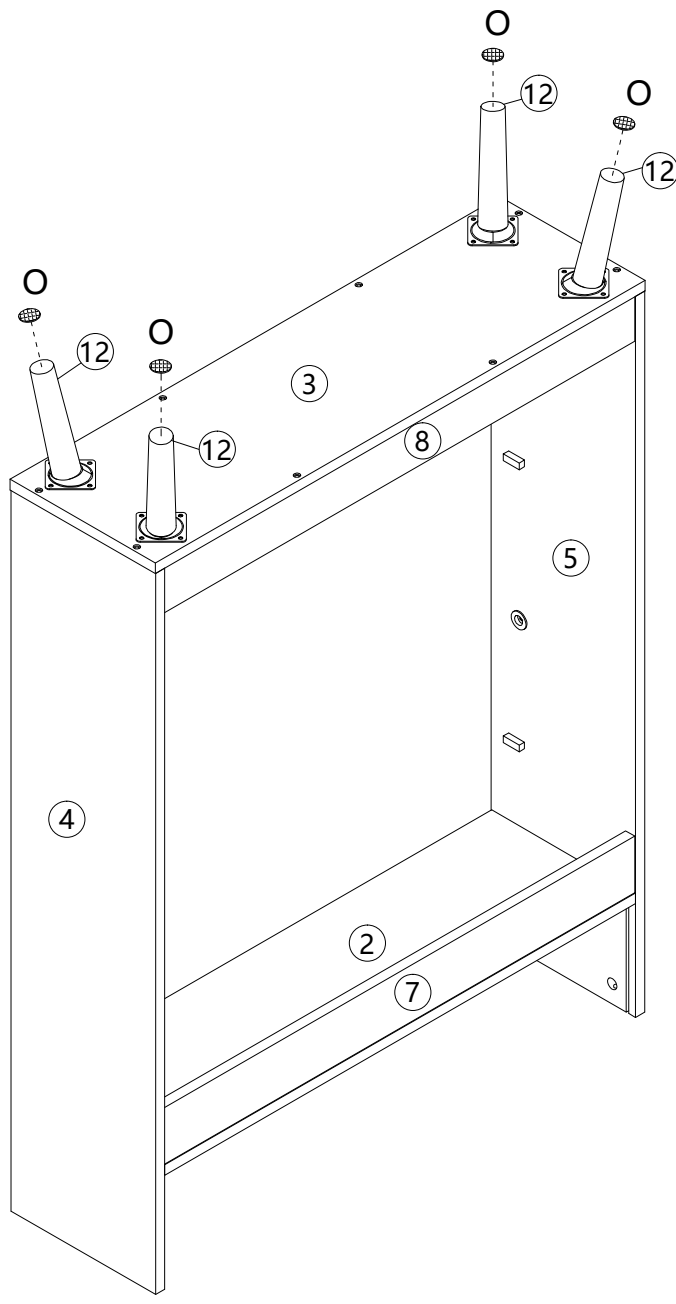


	<b>J x 4PCS</b>
	<b>U x 16PCS</b>

11

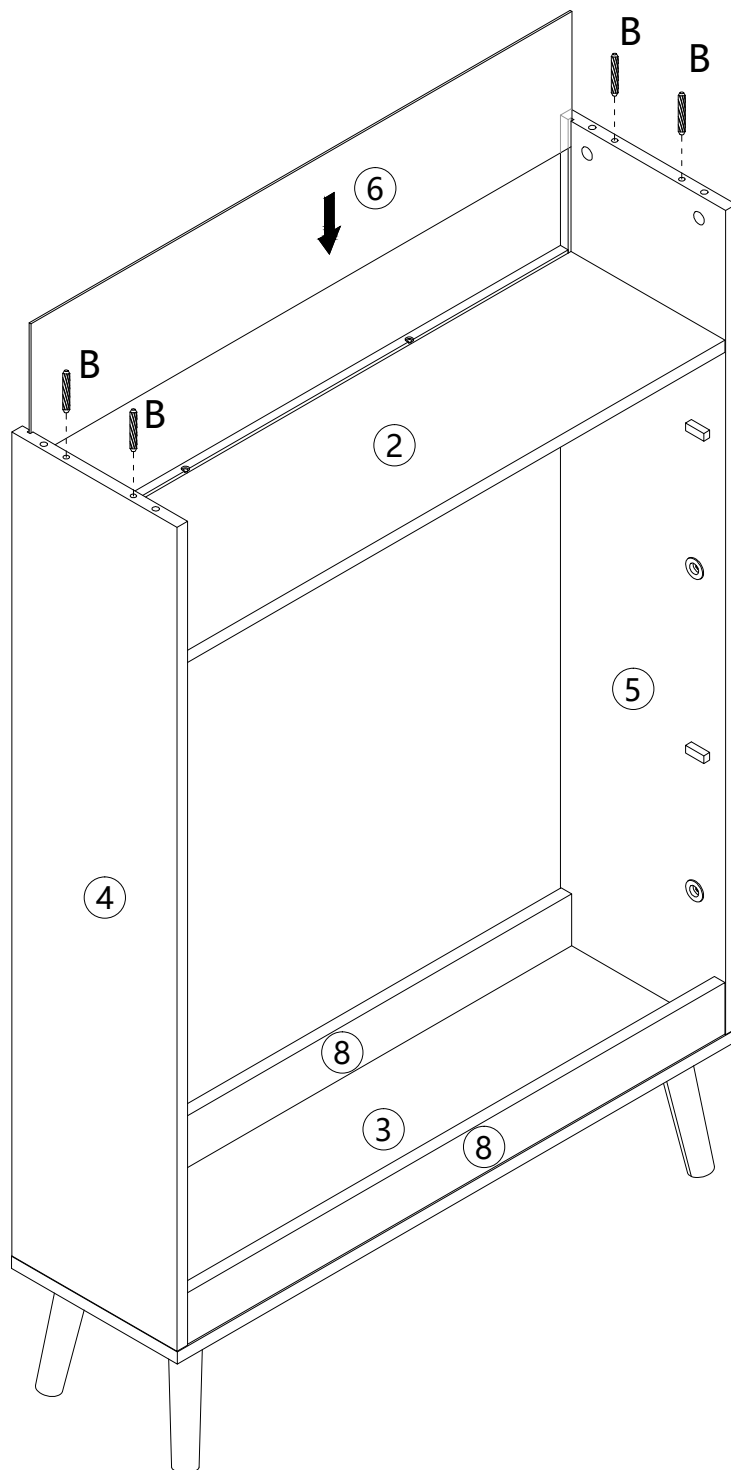


12



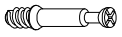
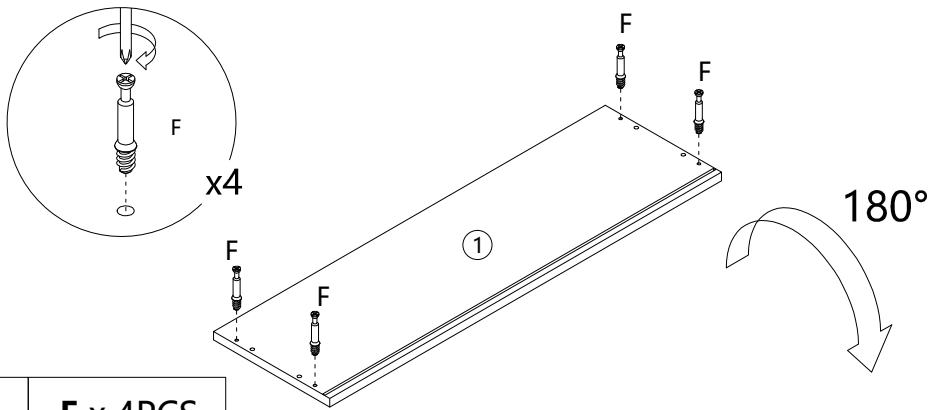
**O** x 4PCS

13



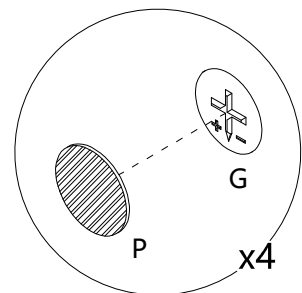
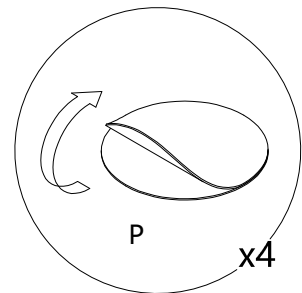
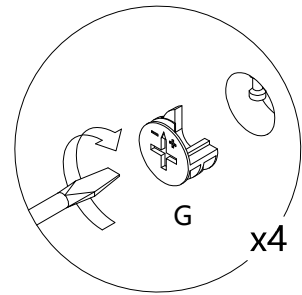
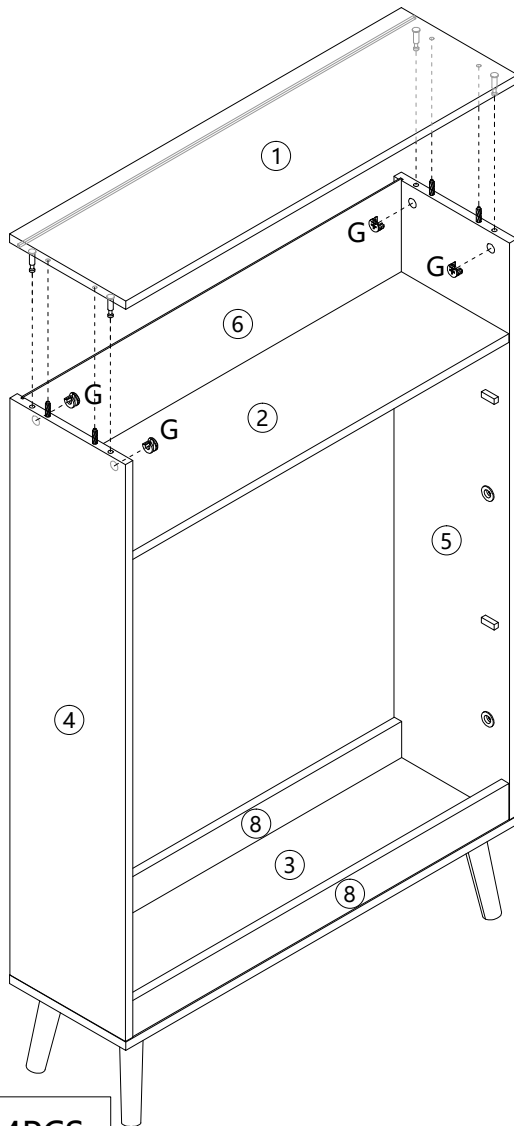
**B x 4PCS**

14



F x 4PCS

15

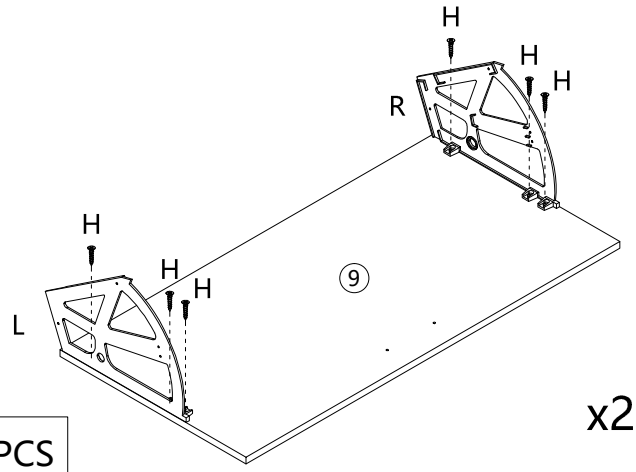


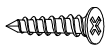
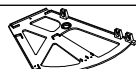
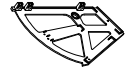
G x 4PCS



P x 4PCS

16

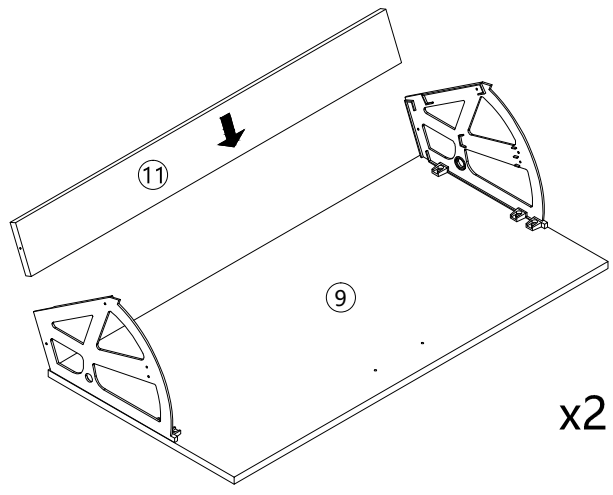


	<b>H x 12PCS</b>
	<b>L x 2PCS</b>
	<b>R x 2PCS</b>

x2

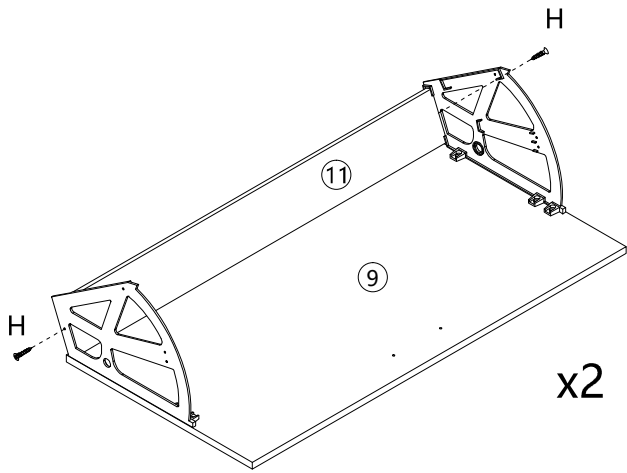
x12

17

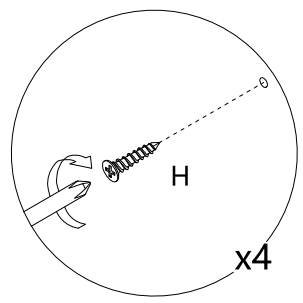


x2

18



x2

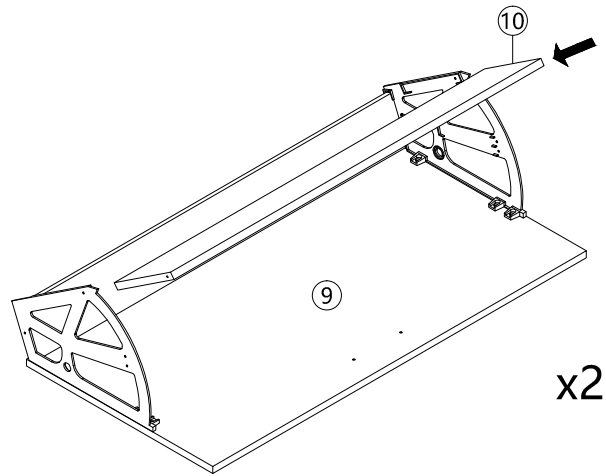


x4

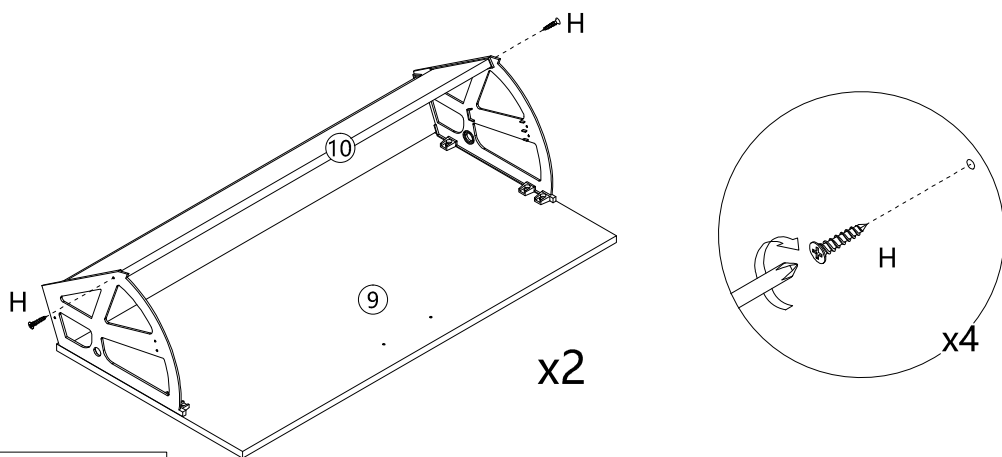
	<b>H x 4PCS</b>
---	-----------------

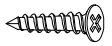


19

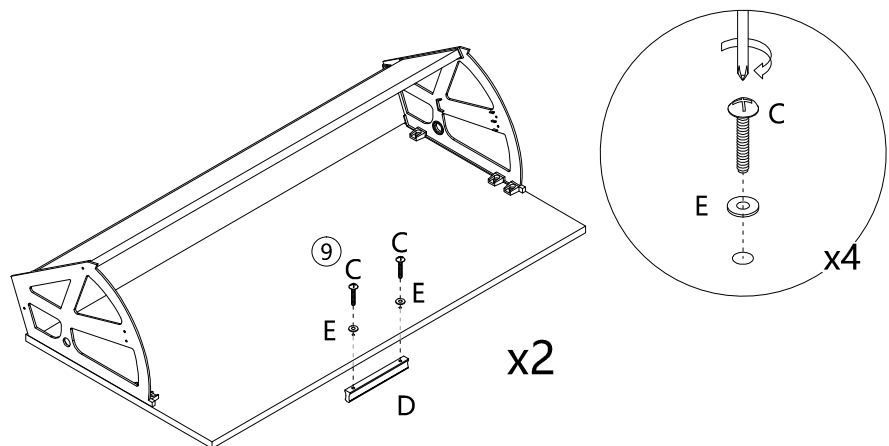



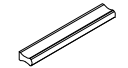

20

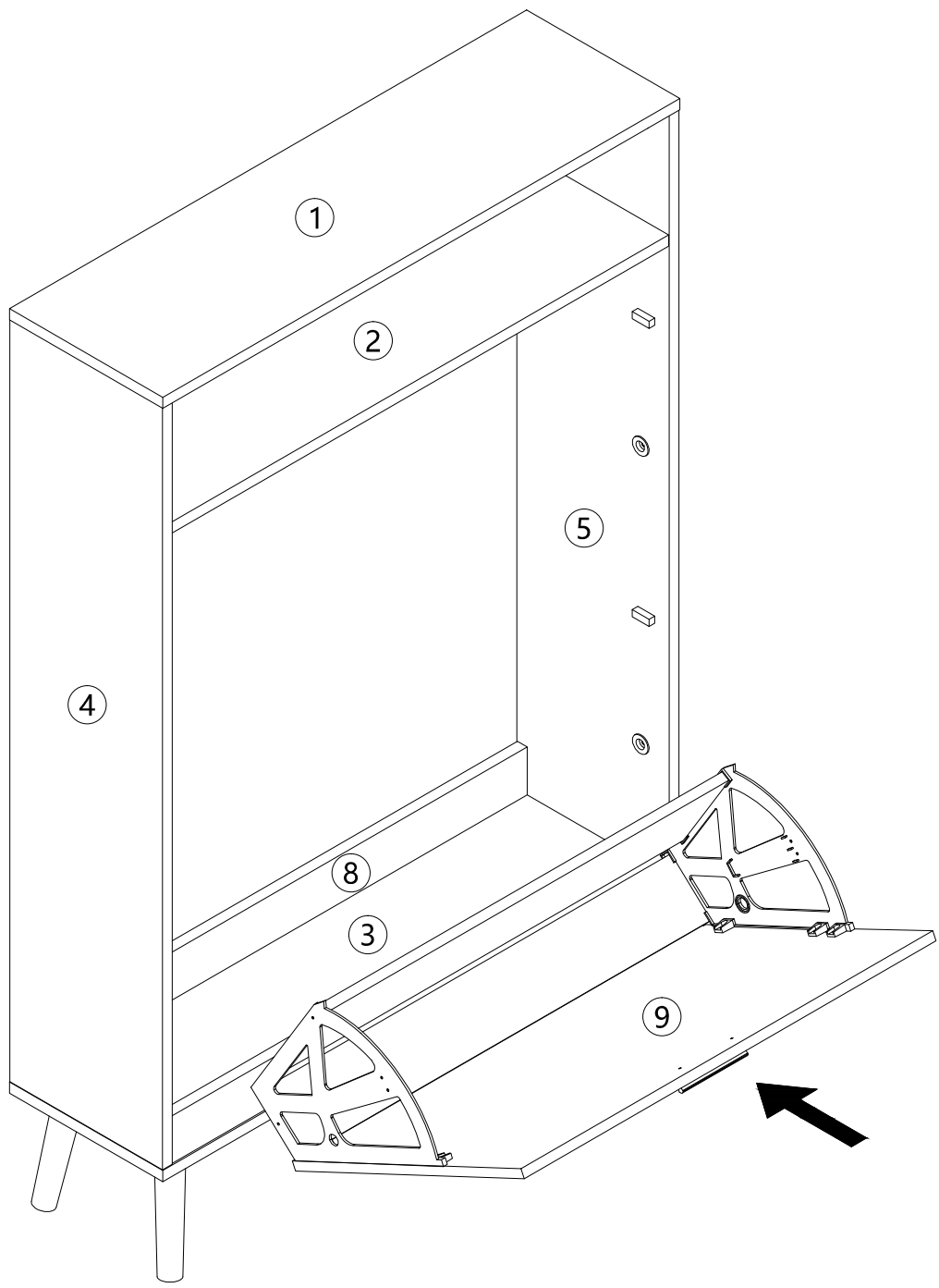


	<b>H x 4PCS</b>
---	-----------------

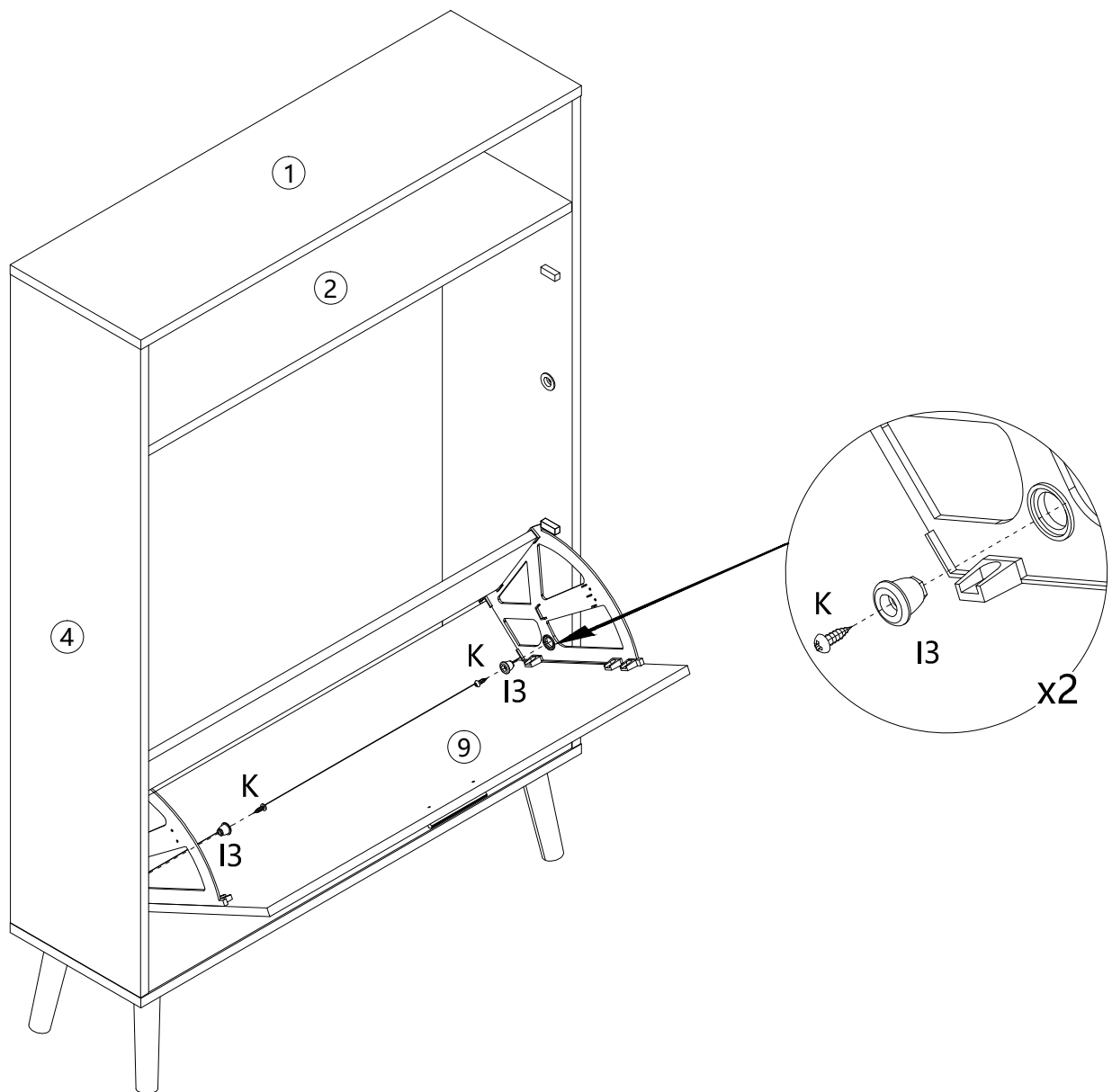
21


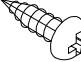


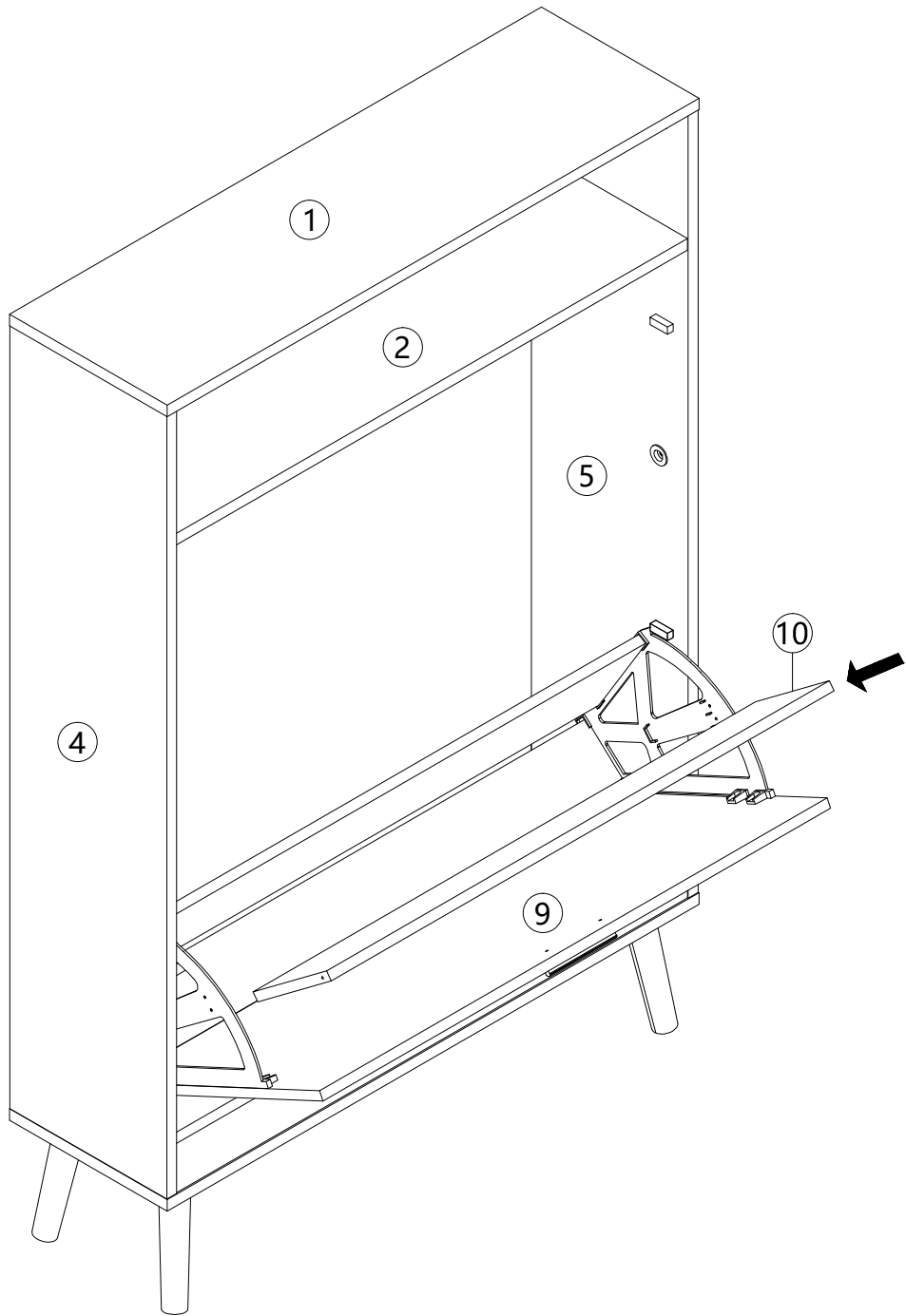
	<b>C x 4PCS</b>
	<b>D x 2PCS</b>
	<b>E x 4PCS</b>

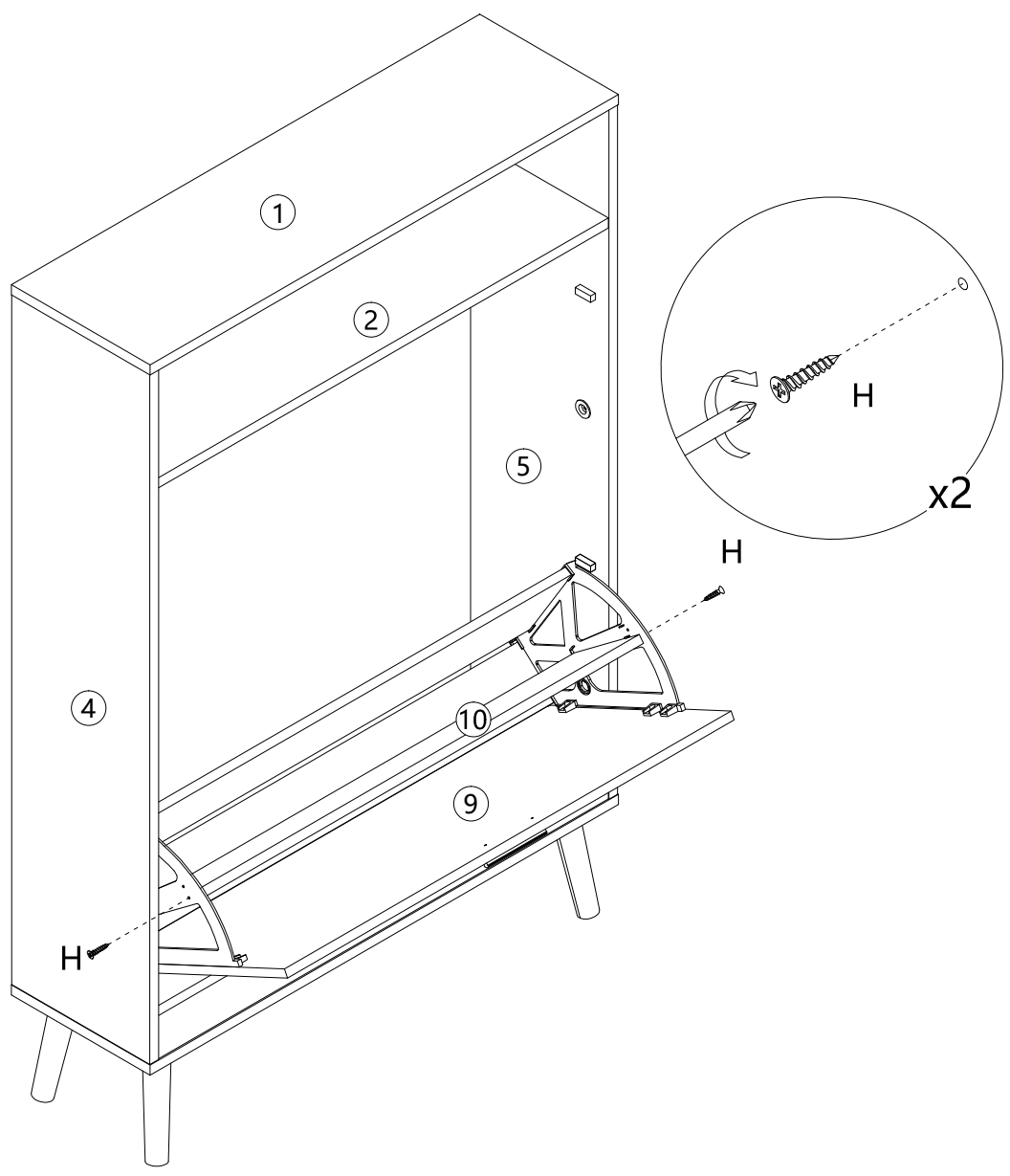



23

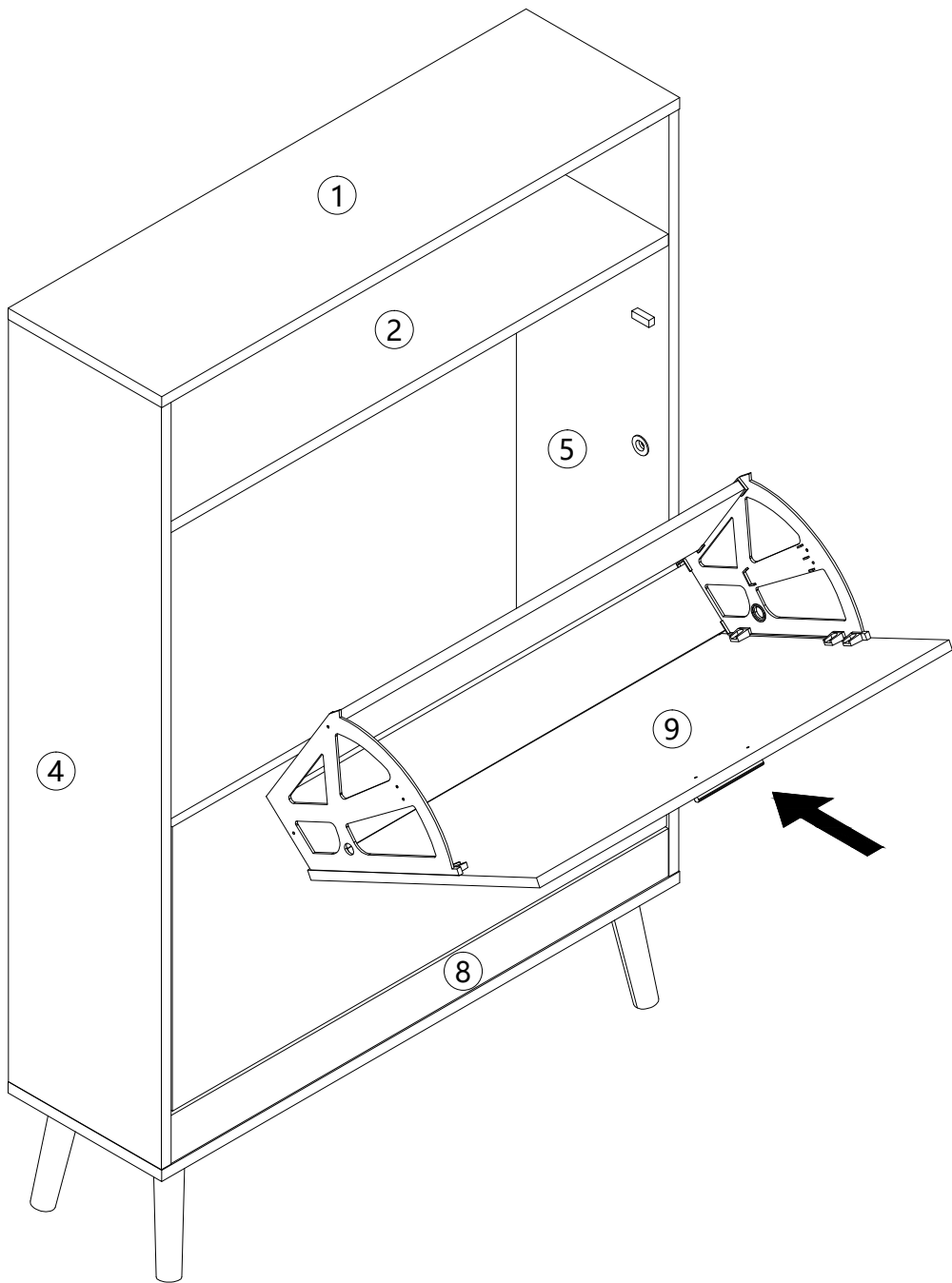


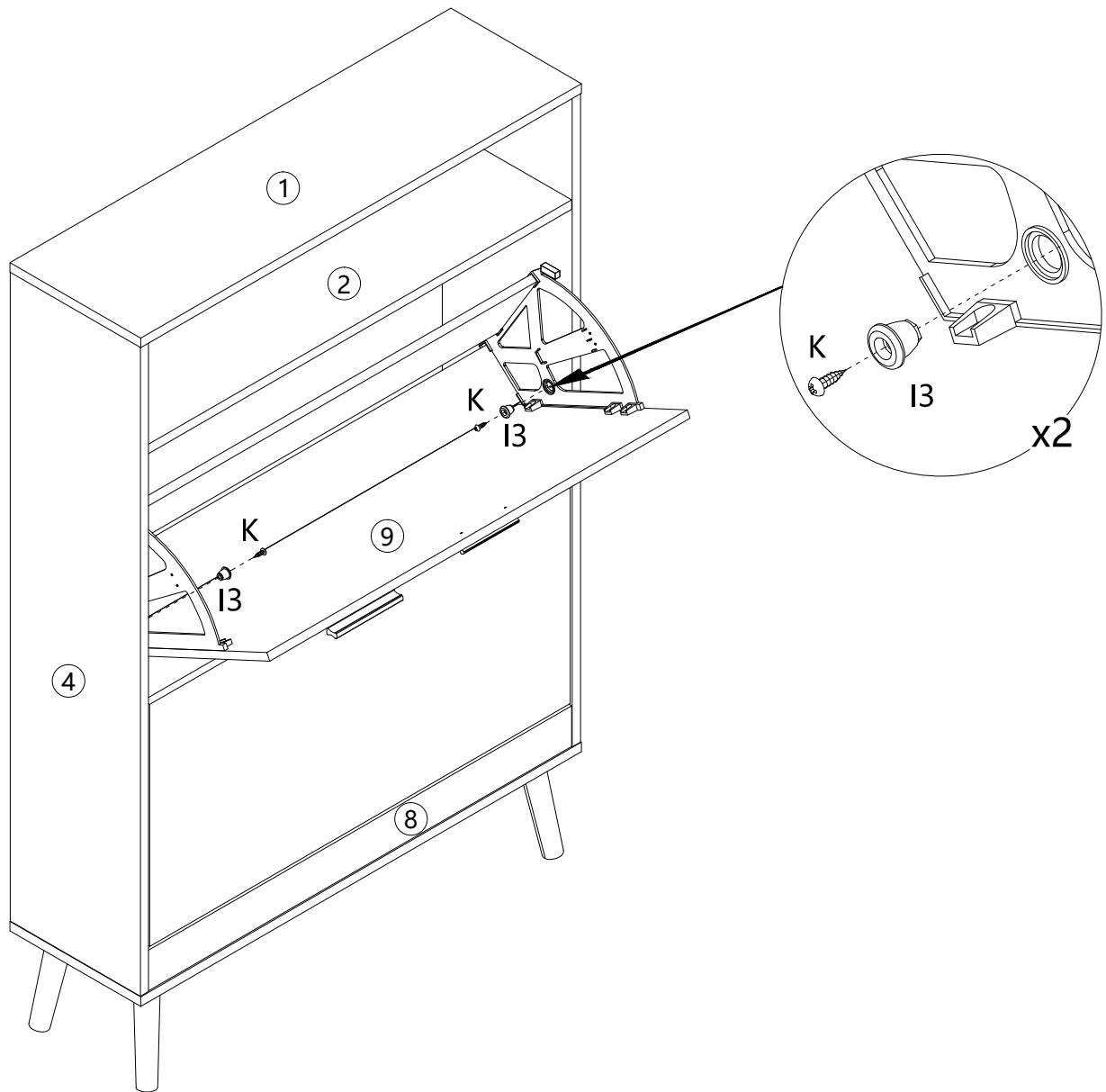
	<b>I3 x 2PCS</b>
	<b>K x 2PCS</b>


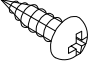


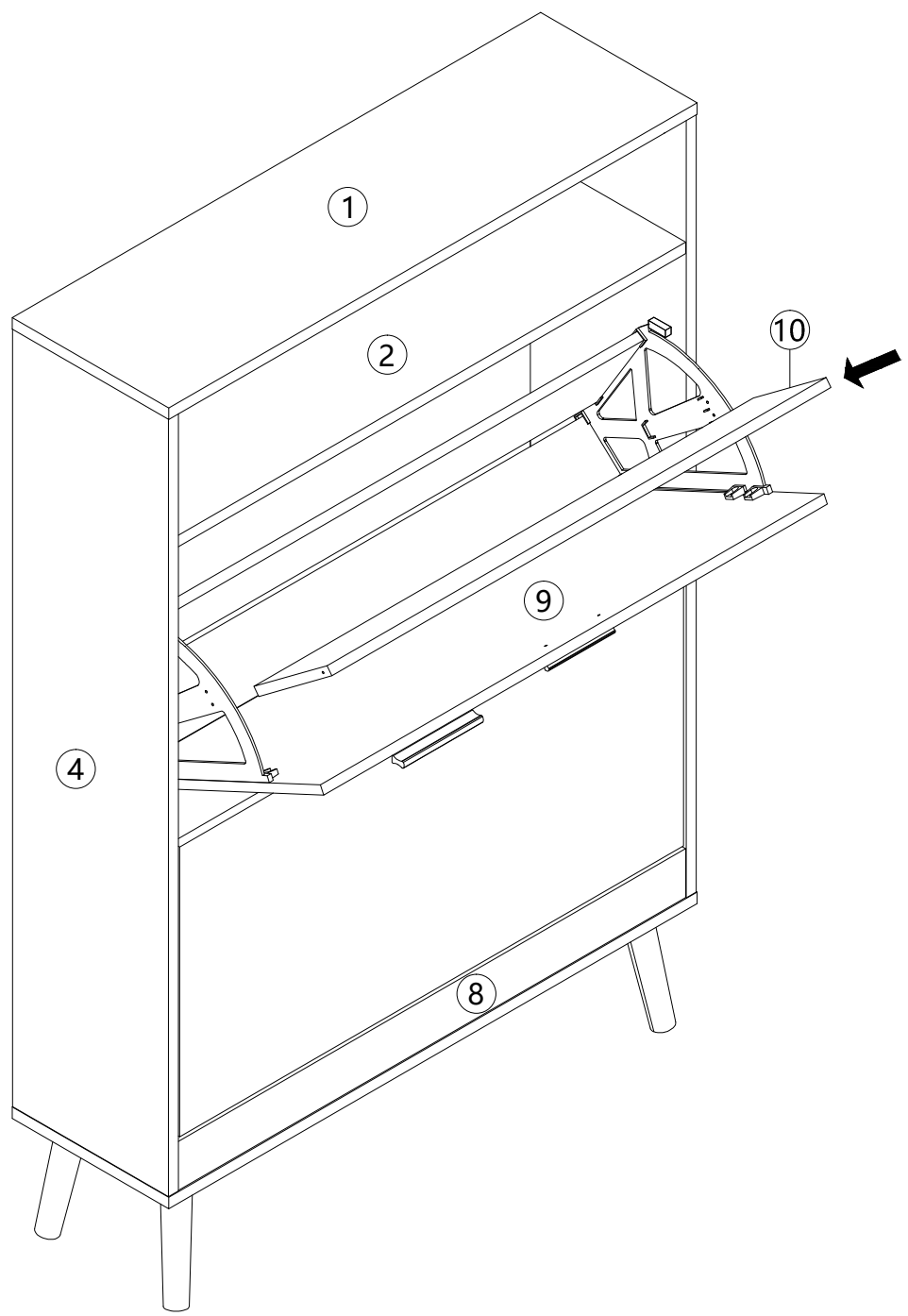


 H x 2PCS

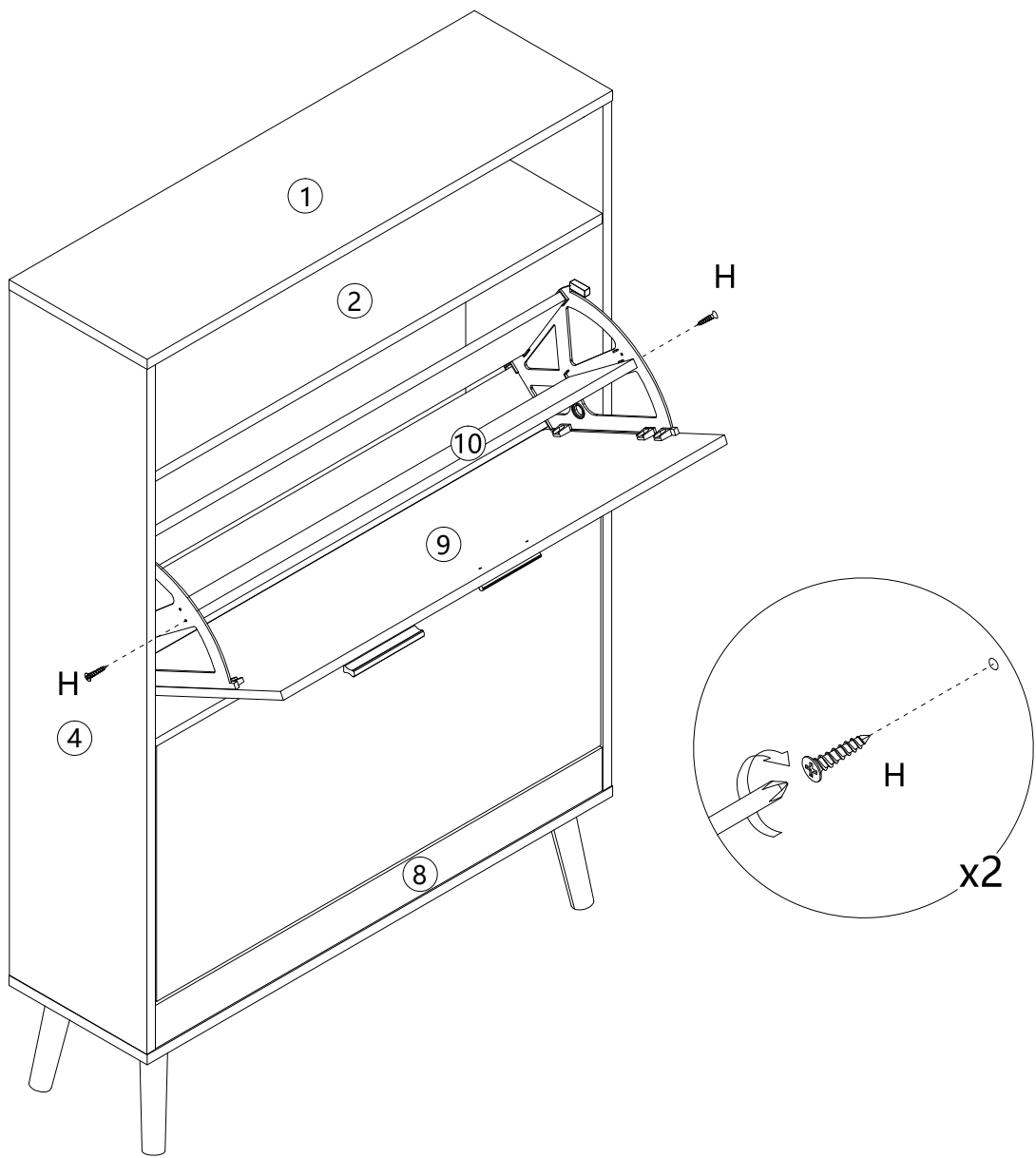





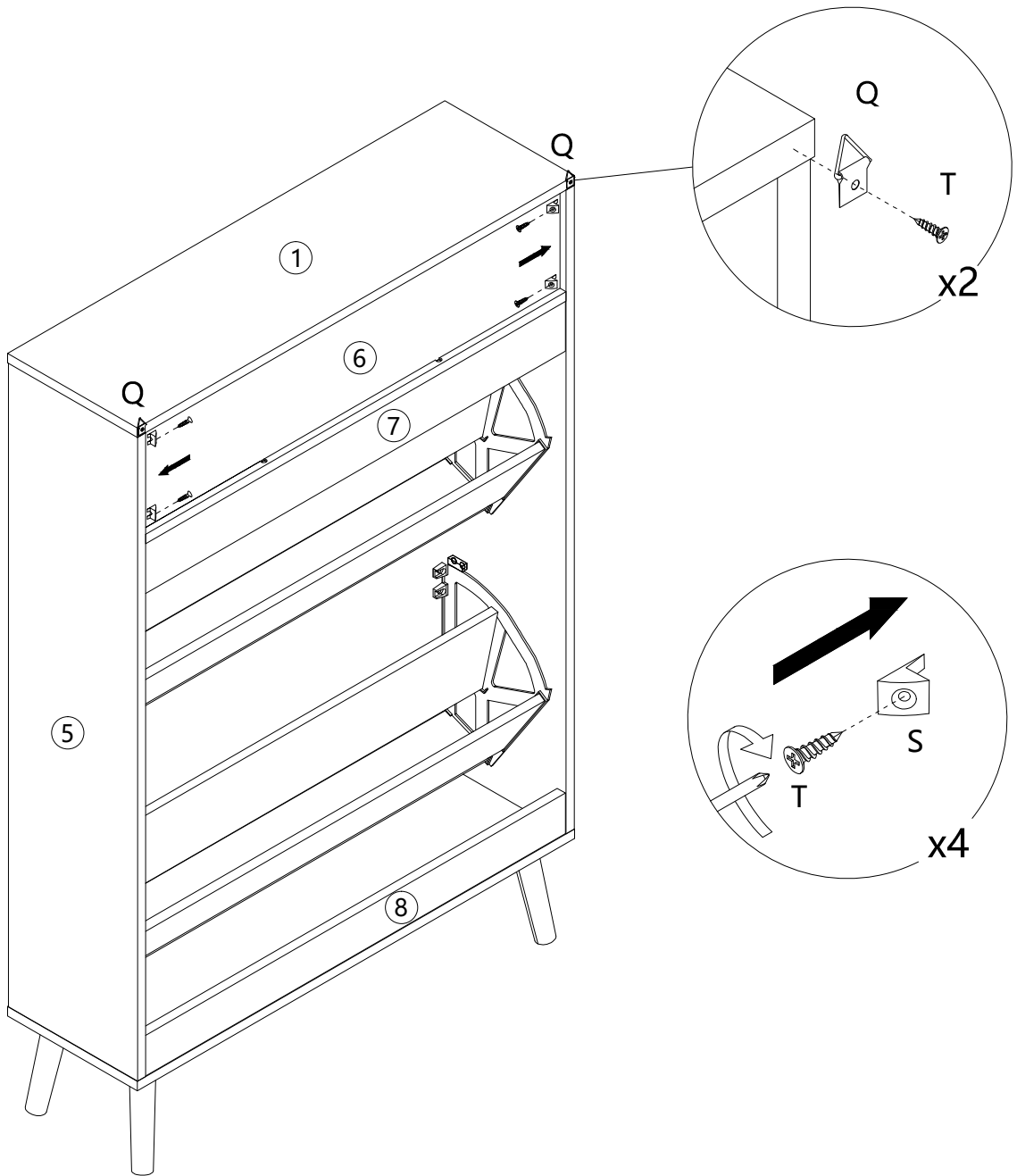
	<b>I3 x 2PCS</b>
	<b>K x 2PCS</b>



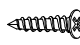




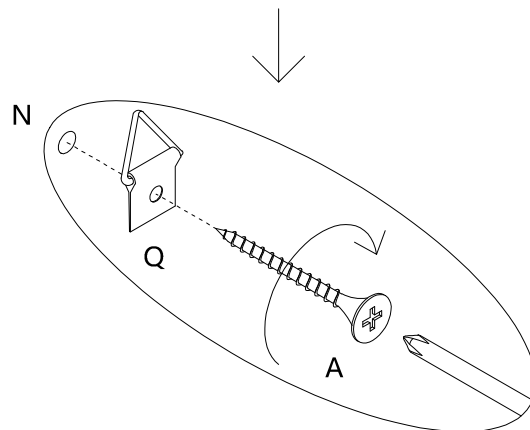
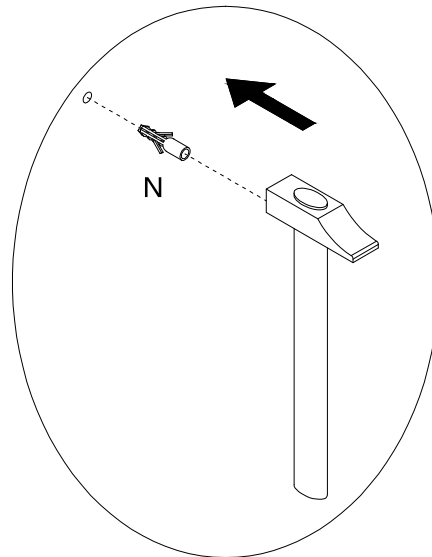
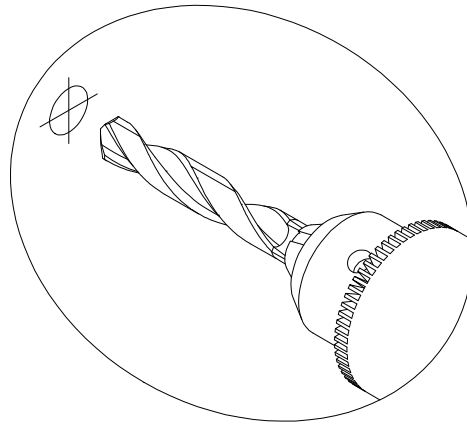
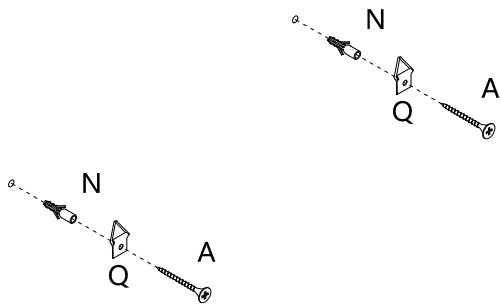


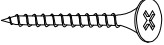
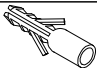

 H x 2PCS



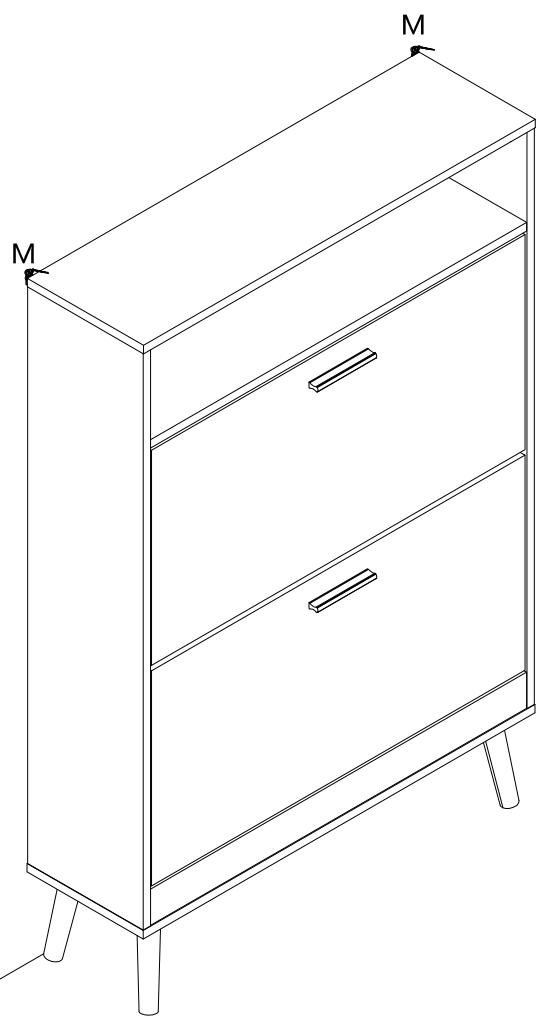
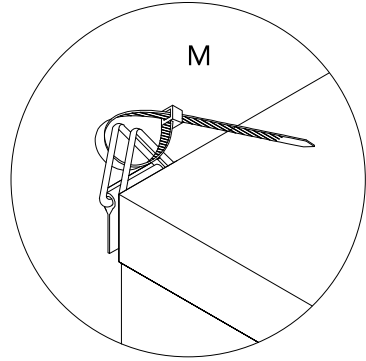
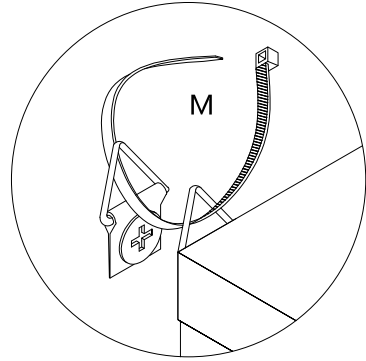
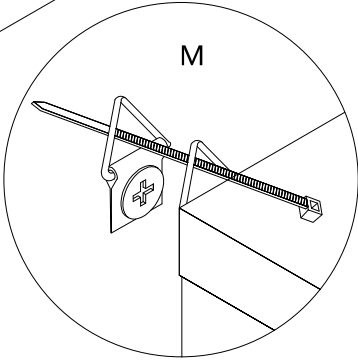
	<b>Q x 2PCS</b>
	<b>S x 4PCS</b>
	<b>T x 6PCS</b>

31



	<b>A x 2PCS</b>
	<b>N x 2PCS</b>
	<b>Q x 2PCS</b>

32



**M** x 2PCS

## PRODUCT PARAMETER

Package size (mm)	1150*460*170
Size (mm)	800*237*1205
Colour	White, burlywood feet
Type	2 layers+1 inter-layer
Texture	Chipboard
Base	4 individual legs
Load-bearing	≥150 lbs

**Address:** Shuangchenglu 803nong11hao1602A-1609shi, baoshanqu, shanghai 200000 CN.

**Imported to AUS:** SIHAO PTY LTD, 1 ROKEVA STREETEASTWOOD NSW 2122 Australia

**Imported to USA:** Sanven Technology Ltd., Suite 250, 9166 Anaheim Place, Rancho Cucamonga, CA 91730

<b>EC</b>	<b>REP</b>
-----------	------------

E-CrossStu GmbH.  
Mainzer Landstr.69, 60329 Frankfurt am Main.

<b>UK</b>	<b>REP</b>
-----------	------------

YH CONSULTING LIMITED.  
C/O YH Consulting Limited Office 147, Centurion House, London Road, Staines-upon-Thames, Surrey, TW18 4AX

**VEVOR<sup>®</sup>**

**TOUGH TOOLS, HALF PRICE**

**Technical Support and E-Warranty Certificate**

**[www.vevor.com/support](http://www.vevor.com/support)**