

VEVOR[®]

TOUGH TOOLS, HALF PRICE

Technical Support and E-Warranty Certificate www.vevor.com/support

SHOE CABINET USER MANUAL

MODEL:HZS004

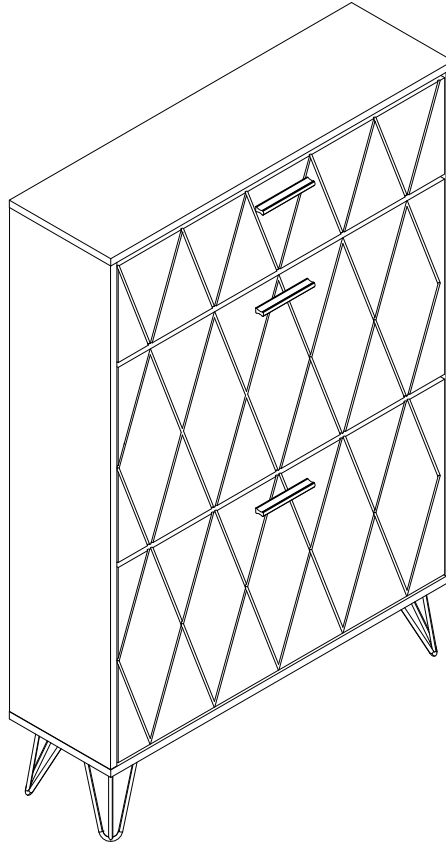
We continue to be committed to provide you tools with competitive price. "Save Half", "Half Price" or any other similar expressions used by us only represents an estimate of savings you might benefit from buying certain tools with us compared to the major top brands and does not necessarily mean to cover all categories of tools offered by us. You are kindly reminded to verify carefully when you are placing an order with us if you are actually saving half in comparison with the top major brands.

VEVOR[®]

TOUGH TOOLS, HALF PRICE

SHOE CABINET

MODEL:HZS004



NEED HELP? CONTACT US!

Have product questions? Need technical support? Please feel free to contact us:

 CustomerService@vevor.com

This is the original instruction, please read all manual instructions carefully before operating. VEVOR reserves a clear interpretation of our user manual. The appearance of the product shall be subject to the product you received. Please forgive us that we won't inform you again if there are any technology or software updates on our product.

SAFETY INSTRUCTIONS

WARNING:

Read this instructions carefully before using this product. Failure to do so can result in serious injury.

Assembly precautions

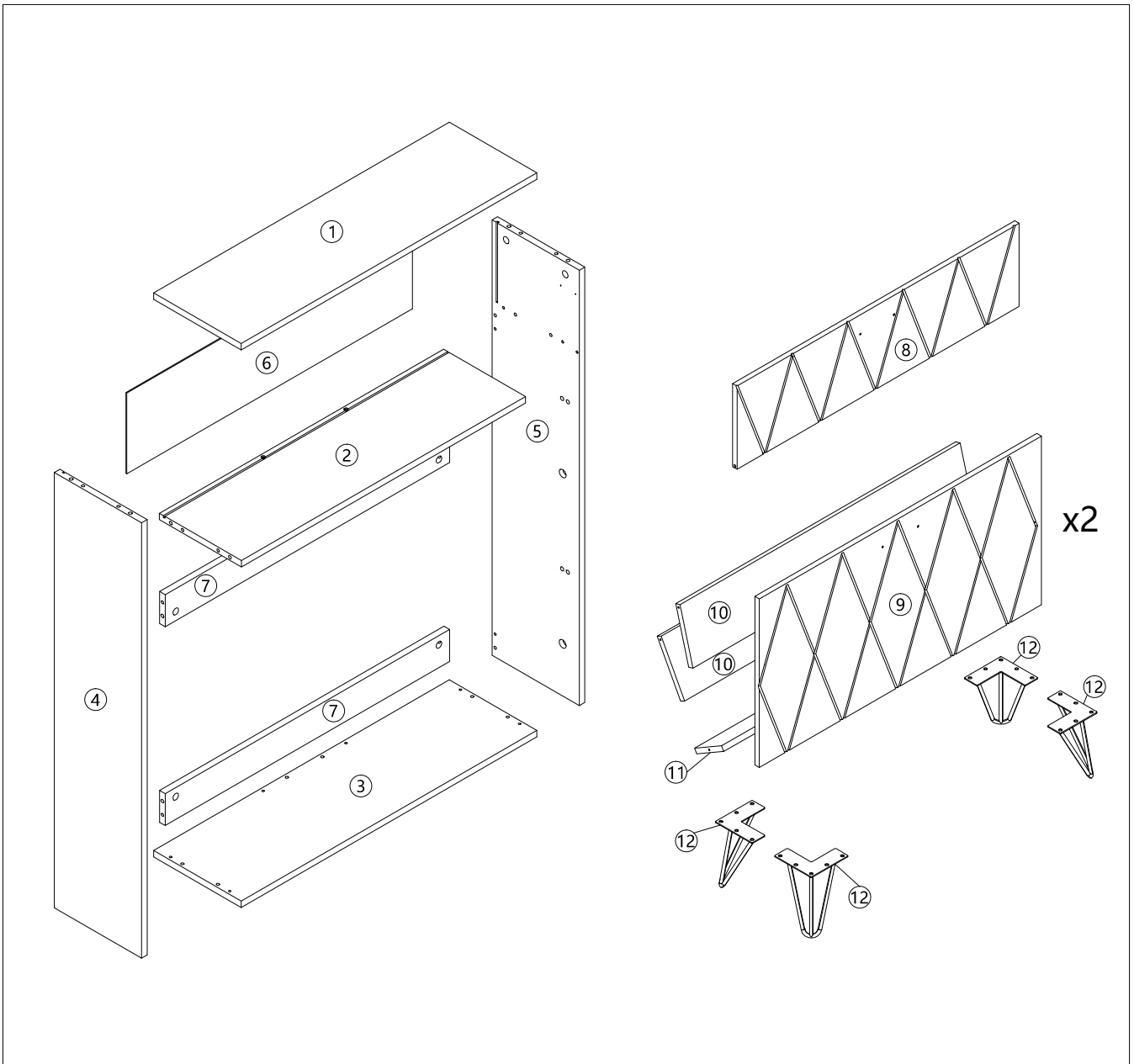
1. Assemble only should be according to these instructions. Improper assembly can result in hazards.
2. Wear ANSI-approved safety goggles and heavy-duty work gloves during assembly.
3. Keep the assembly area clean and well-lit.
4. Keep bystanders out of the area during assembly.
5. Do not assemble when tired or when under the influence of alcohol, drugs or medication.
6. The product capabilities apply to properly and completely assembled products only.
7. Assemble on a flat, level, hard and smooth surface capable of safely supporting the [shoe cabinet](#).
8. For additional information regarding the parts listed in the following pages, please refer to the Assembly Diagram of this manual. Unwrap and separate all parts in a clean work area.







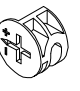

















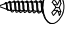
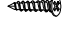
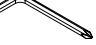
Use precautions

1. DO NOT SIT OR STAND ON THIS ITEM.
2. This product is not a toy. Do not allow children to play with or near this item.
3. Do not exceed weight capacities.
4. Use only on a flat, level, hard and smooth surface capable of safely supporting a fully loaded [shoe cabinet](#).
5. Use as intended only.
6. Inspect before every use; do not use if parts are loose or damaged.

SAVE THESE INSTRUCTIONS

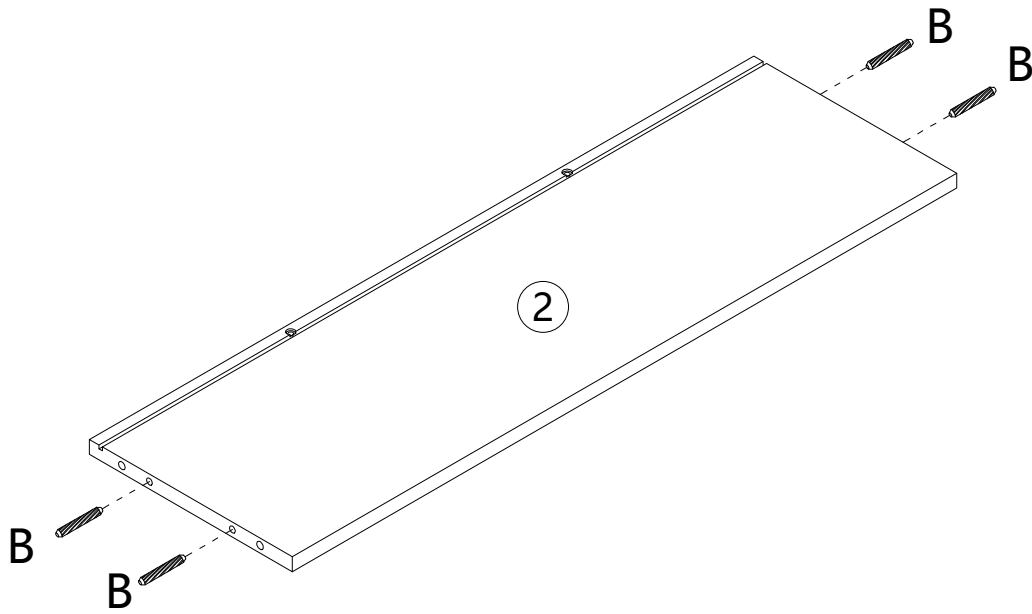
PARTS LIST



							
4x40mm	6x30mm	4x16mm	96mm	∅10mm	6x35mm	∅15x9mm	
A 10+1PCS	B 20+2PCS	C 6PCS	D 3PCS	E 6PCS	F 12+1PCS	G 12+1PCS	
							
3.5x14mm	I1	I2	I3	5x13mm	4x10mm		
H 24+2PCS	I 4SETS			J 2PCS	K 4PCS	L 2PCS	M 2PCS
							
	3x14mm	3x12mm					
N 2PCS	O 10+1PCS	P 4PCS	Q 1PC	R 2PCS	S 4PCS	T 4PCS	
							
	6x30mm	4x12mm	3.5x12mm	4x62mm			
U 2PCS	V 2PCS	W 20+2PCS	X 4PCS	Y 1PC			

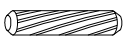
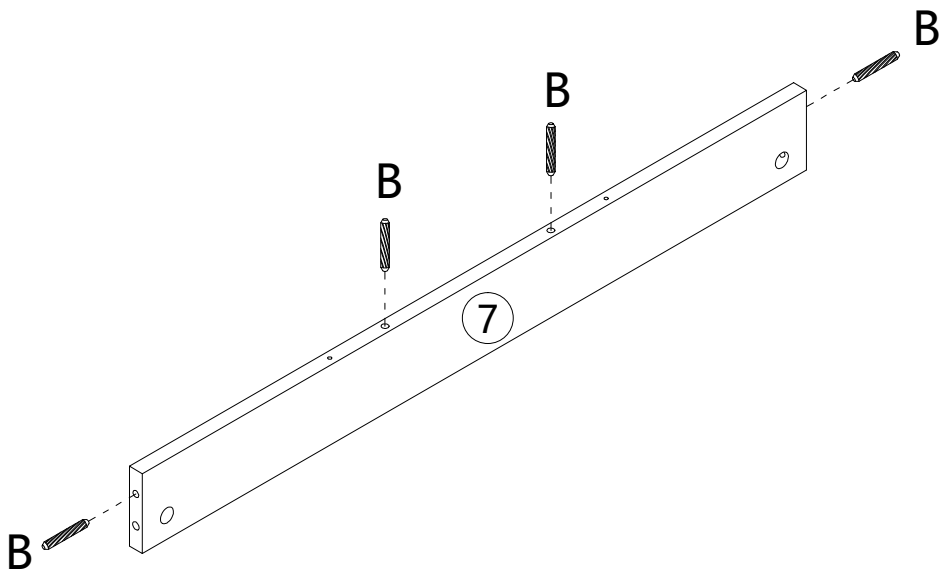
ASSEMBLY STEP

1



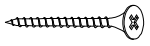
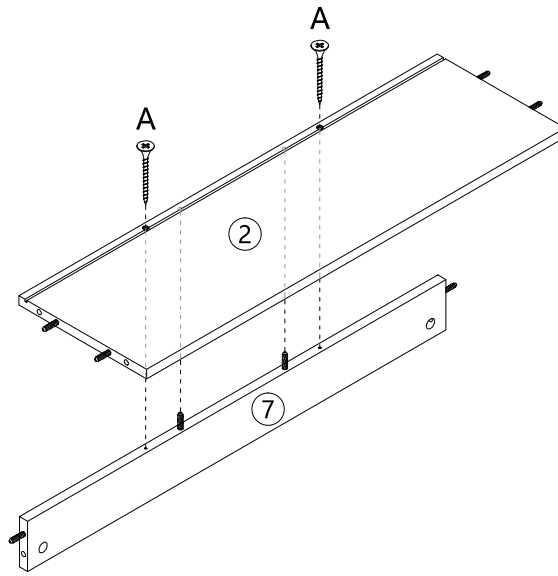
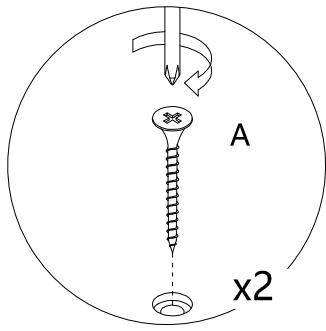
B x 4PCS

2



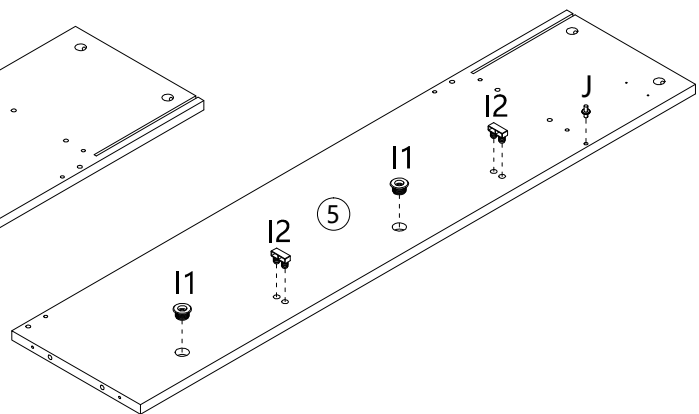
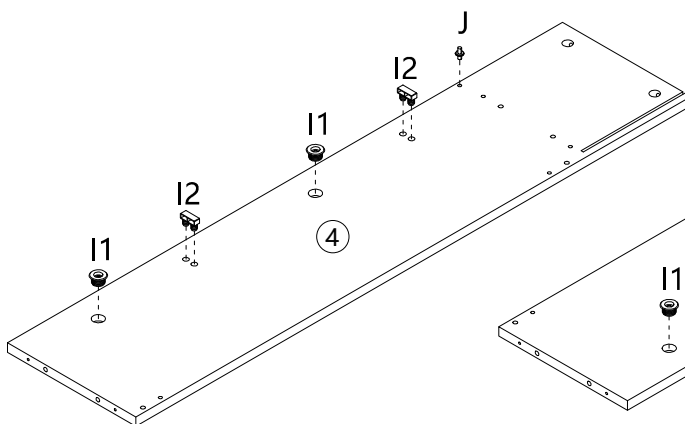
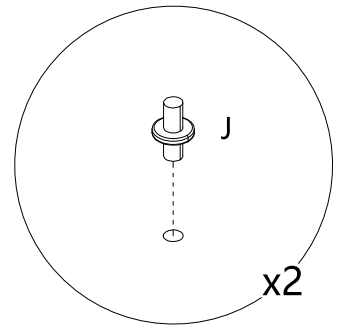
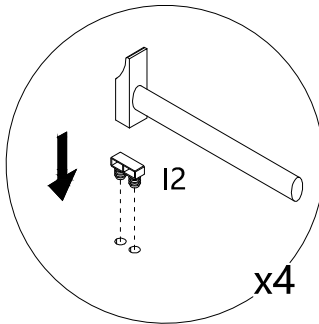
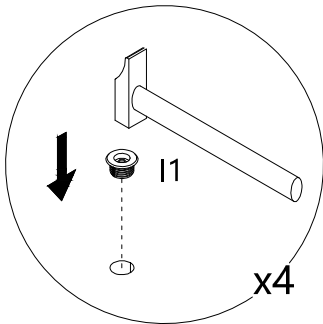
B x 4PCS

3



A x 2PCS

4



I1 x 4PCS

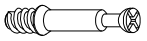
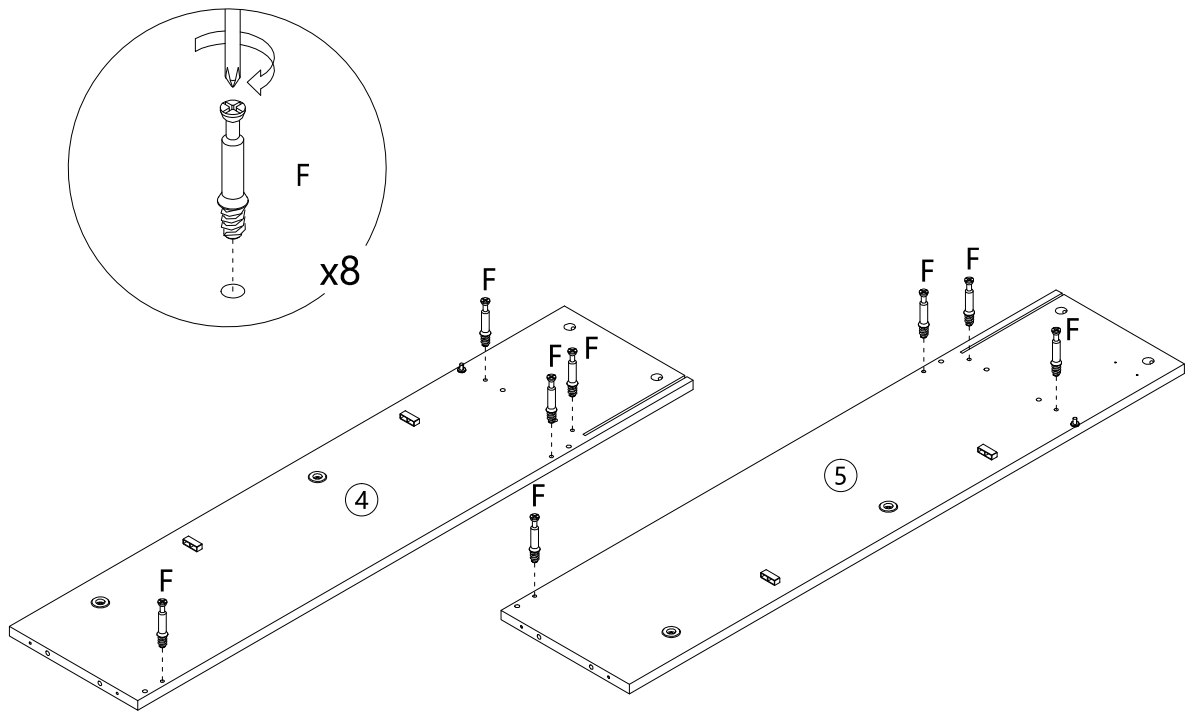


I2 x 4PCS



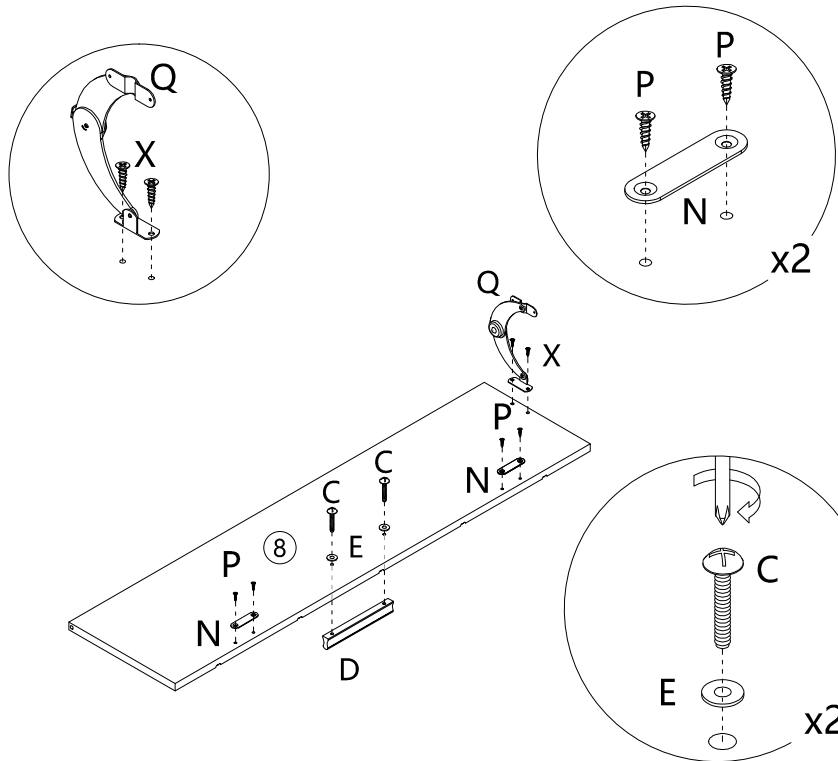
J x 2PCS

5



F x 8PCS

6



C x 2PCS



D x 1PC



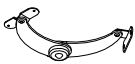
E x 2PCS



N x 2PCS



P x 4PCS

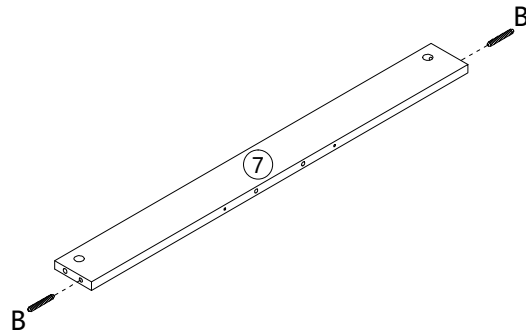


Q x 1PC



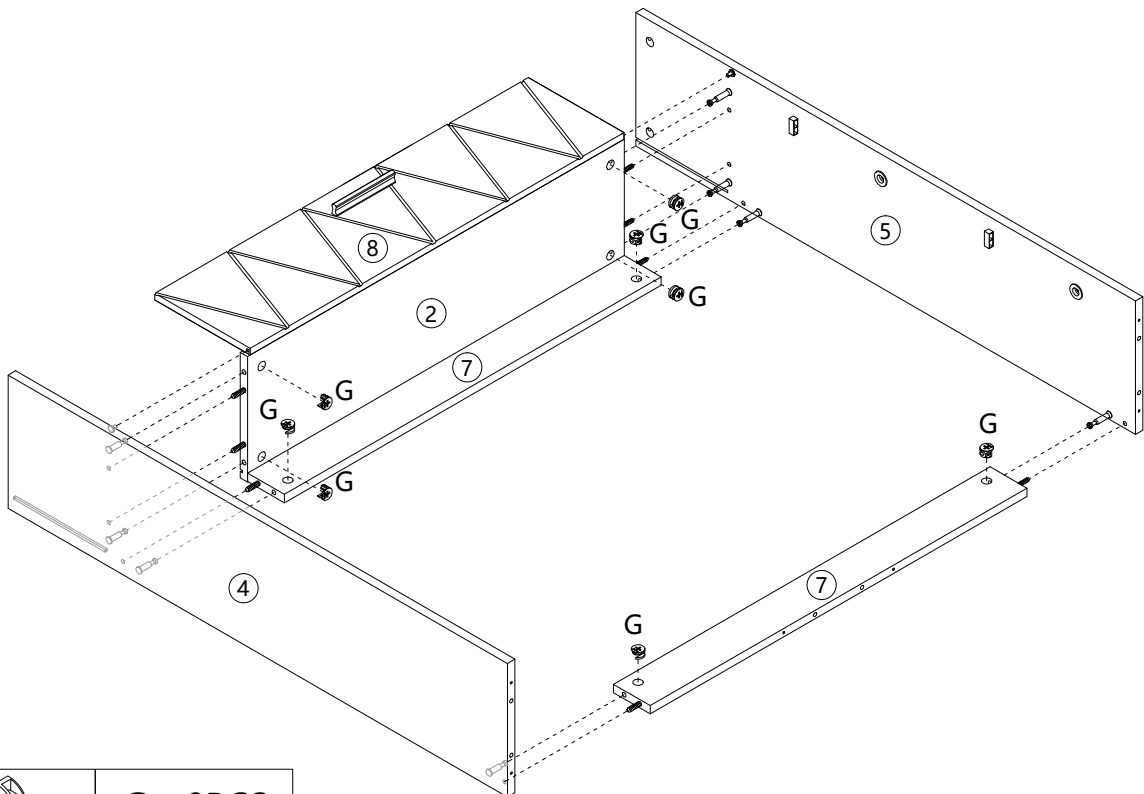
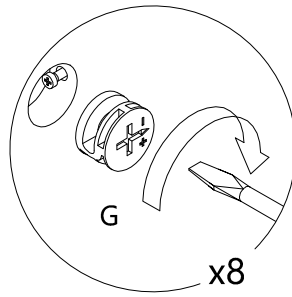
X x 2PCS

7



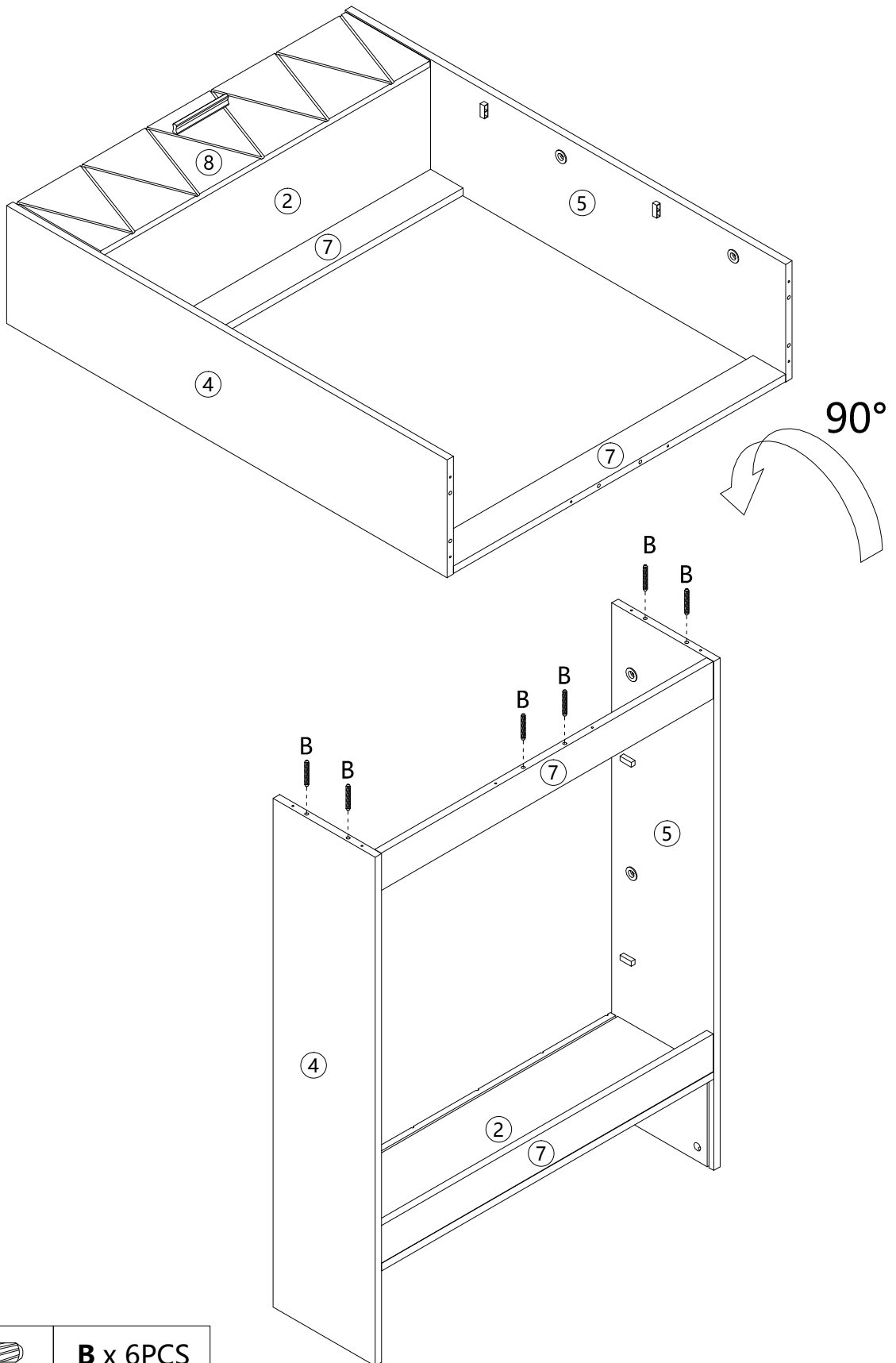
B x 2PCS

8



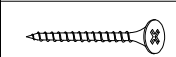
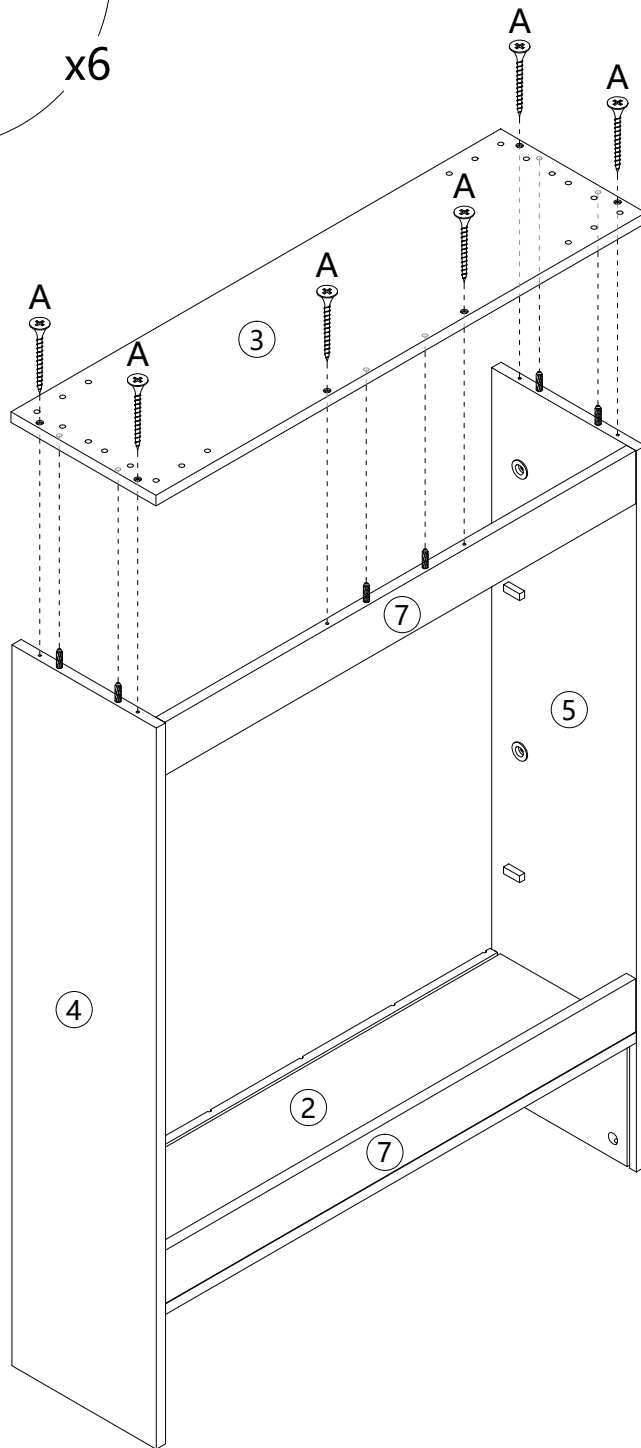
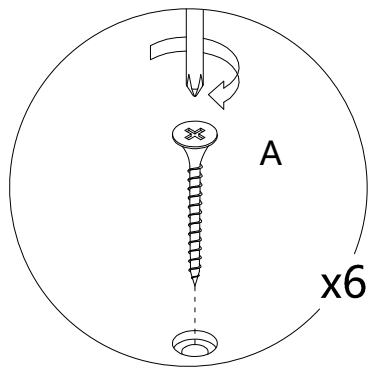
G x 8PCS

9



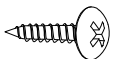
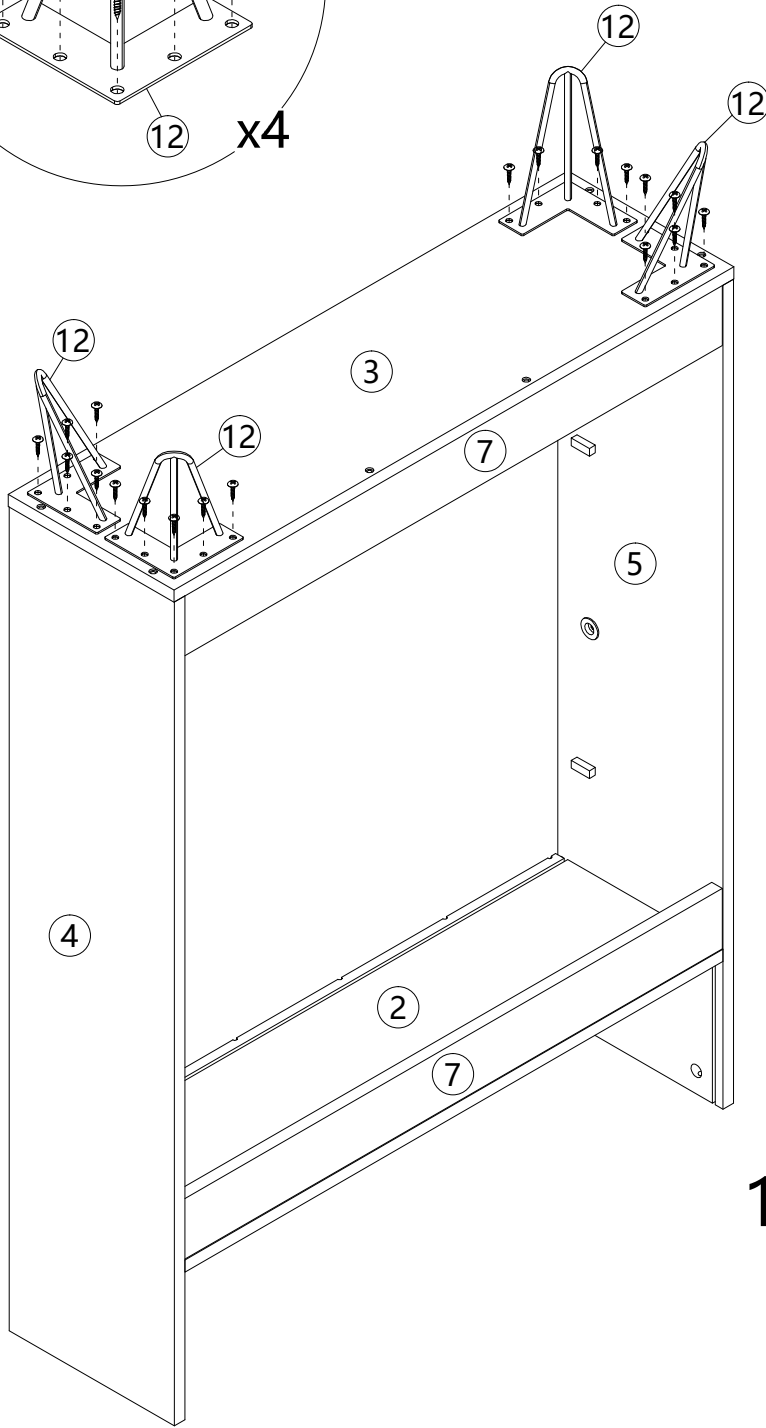
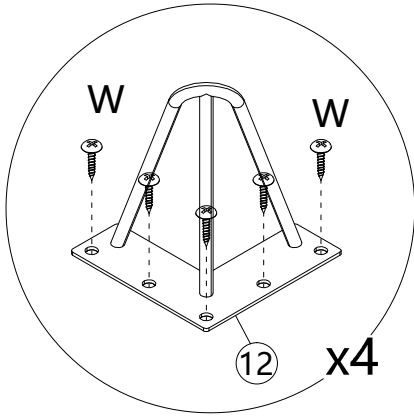
B x 6PCS

10



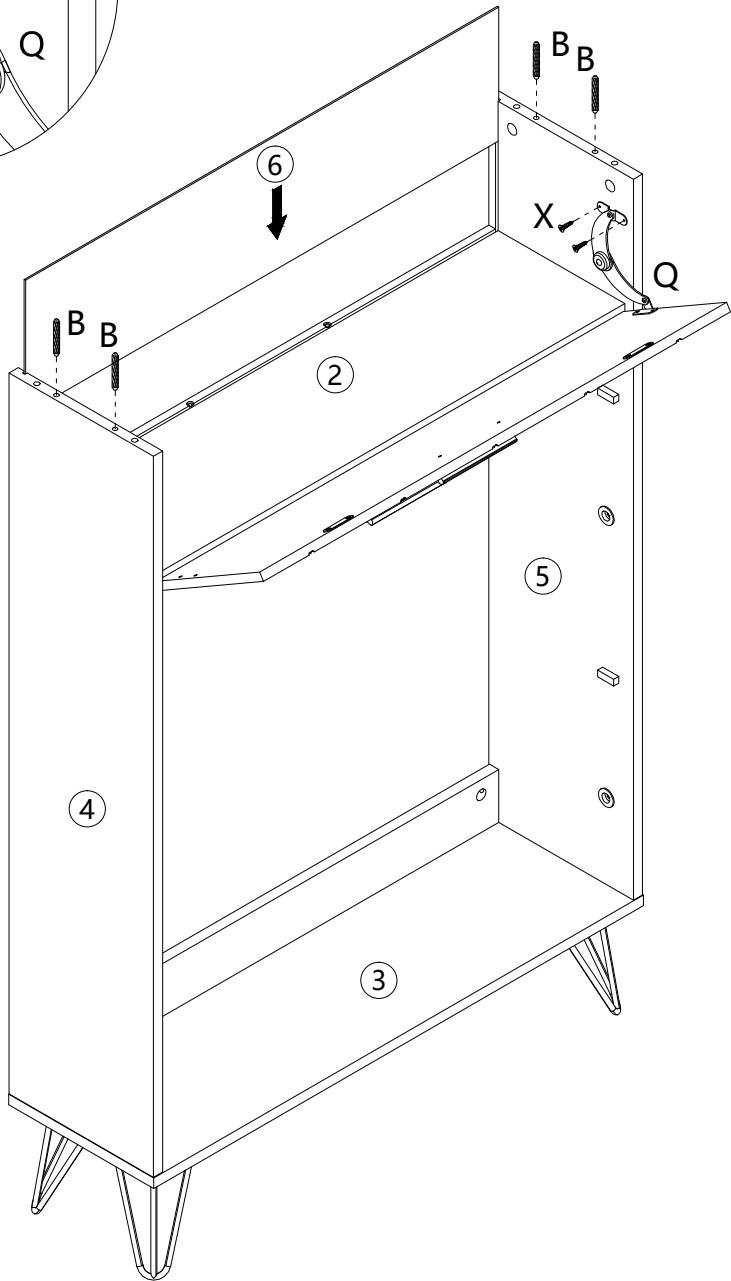
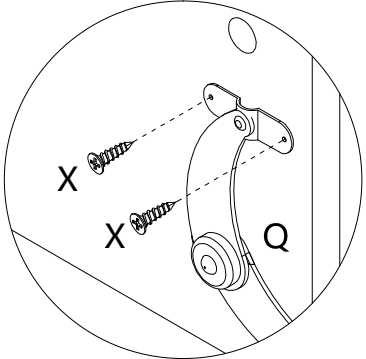
A x 6PCS


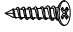
11



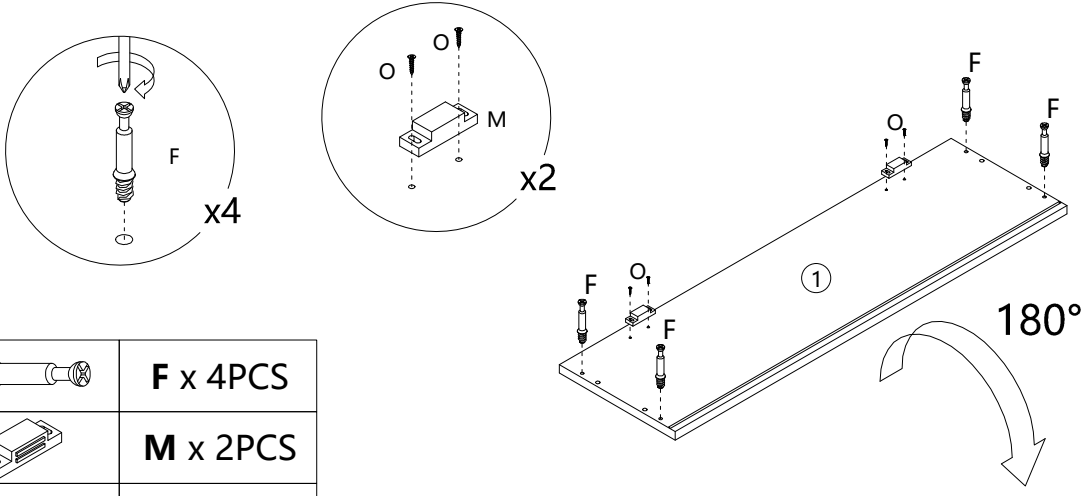
W x 20PCS

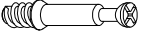
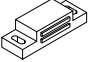
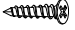
12



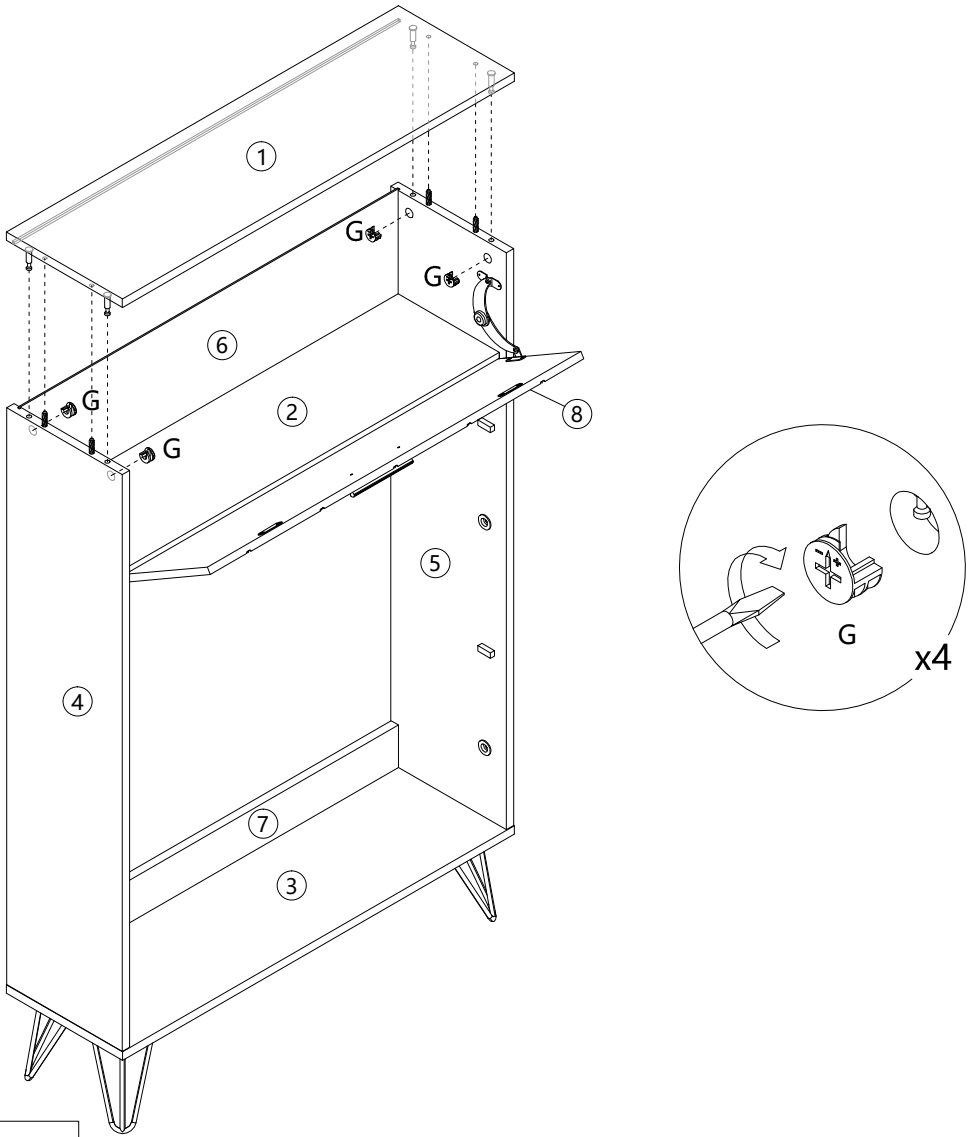
	B x 4PCS
	X x 2PCS


13



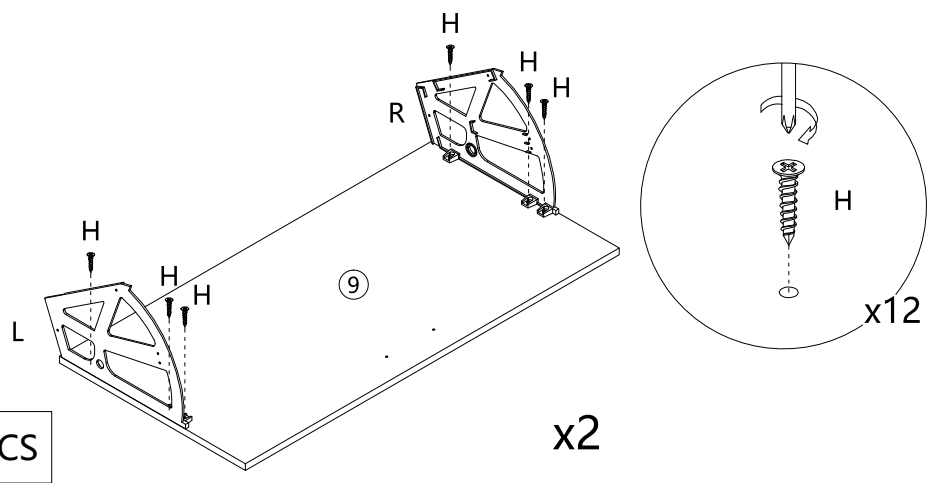
	F x 4PCS
	M x 2PCS
	O x 4PCS


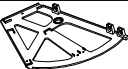

14



	G x 4PCS
---	-----------------

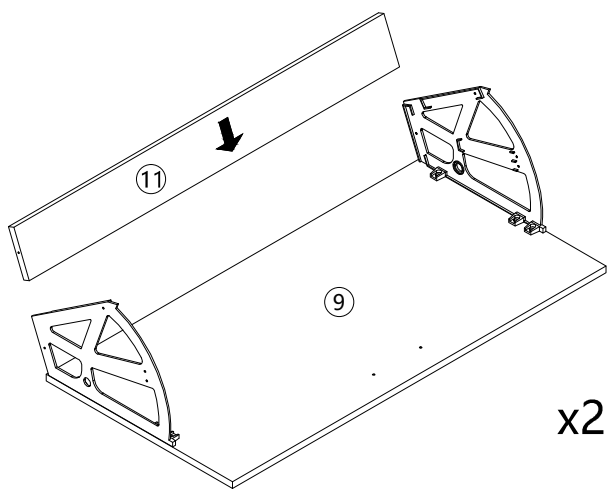
15



	H x 12PCS
	L x 2PCS
	R x 2PCS

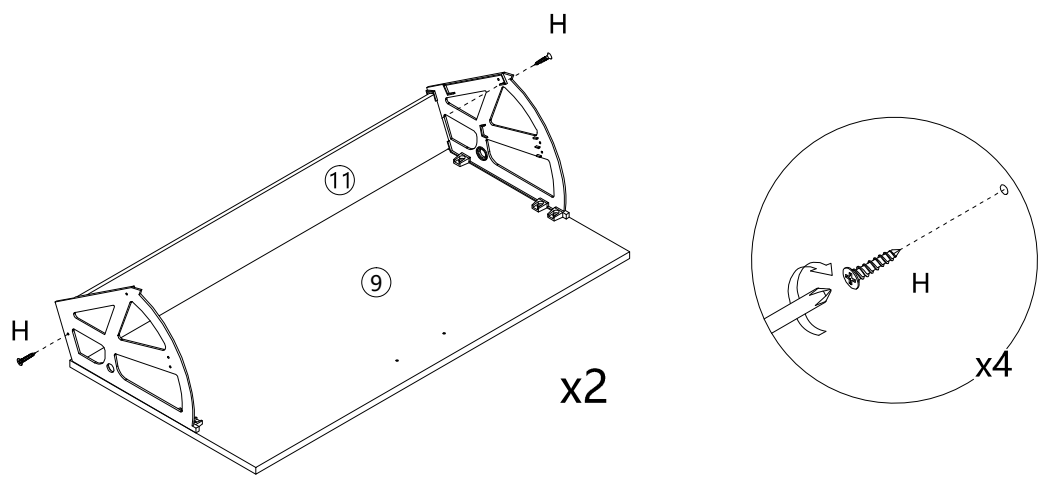
x2

16



x2

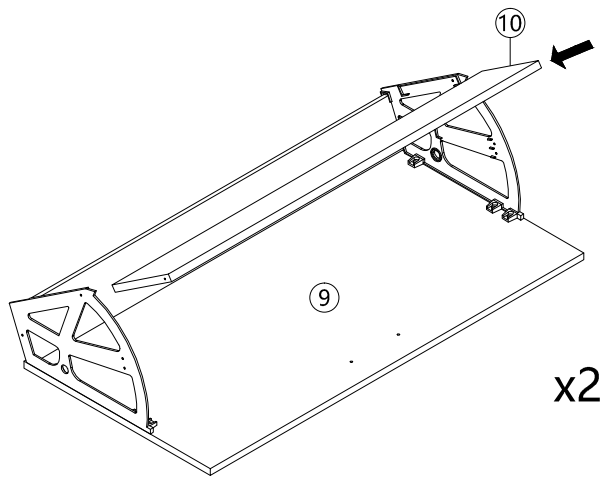
17



x2

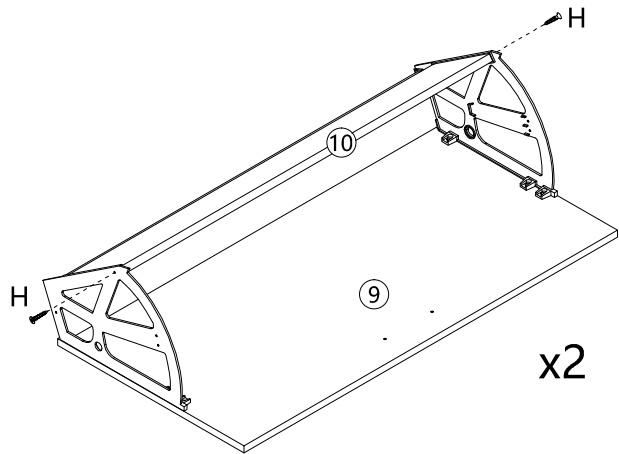
	H x 4PCS
---	-----------------

18

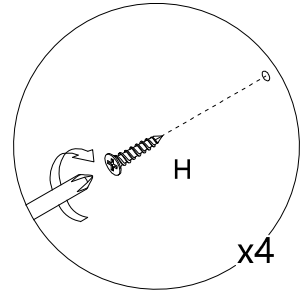


x2

19



x2

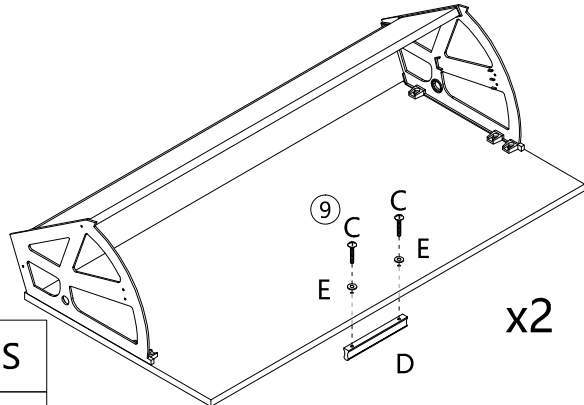


x4

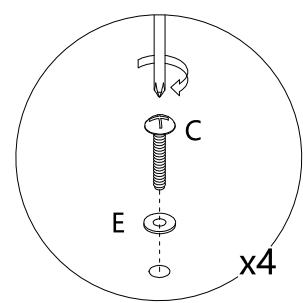


H x 4PCS

20



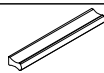
x2



x4



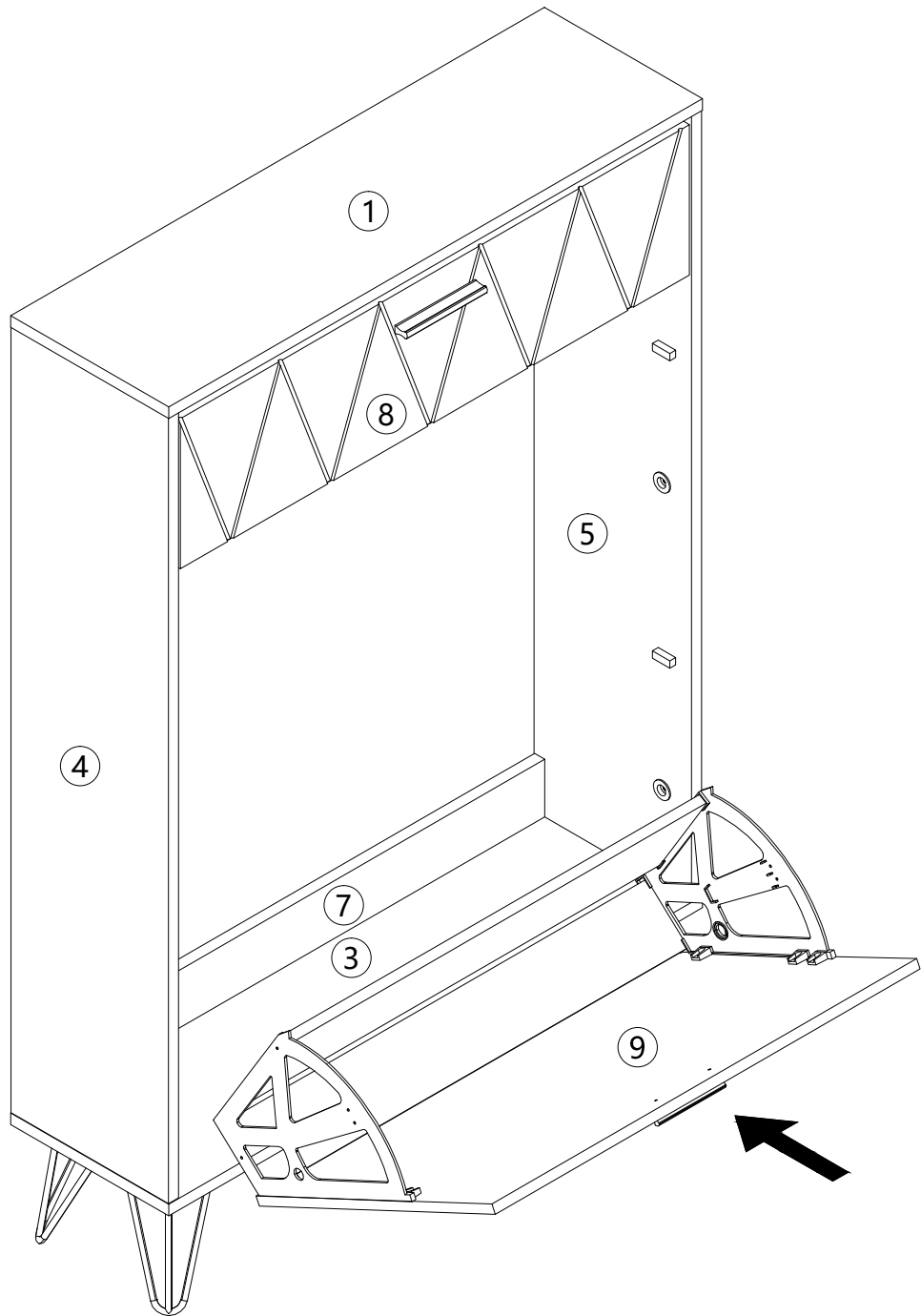
C x 4PCS

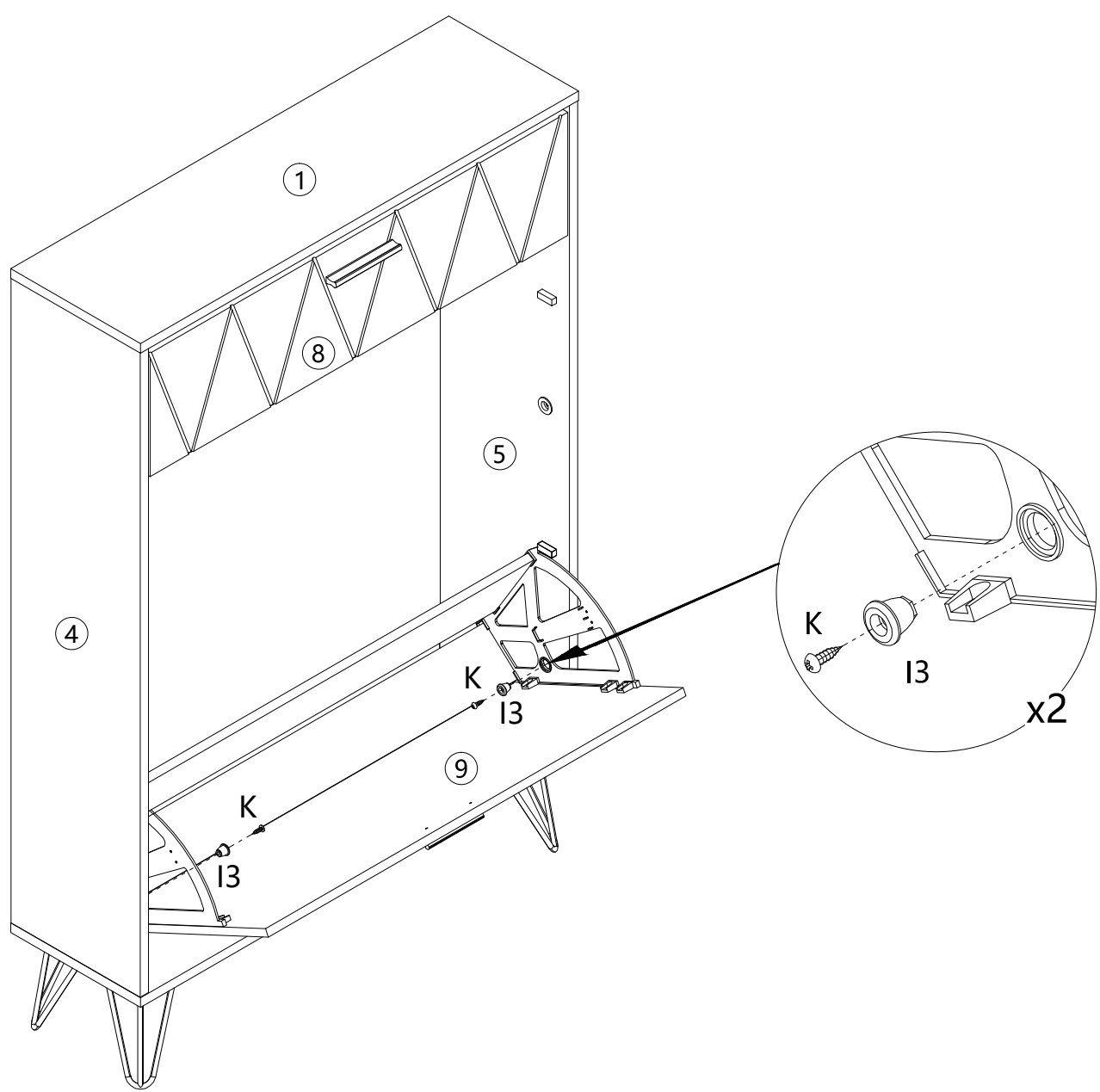



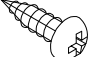
D x 2PCS

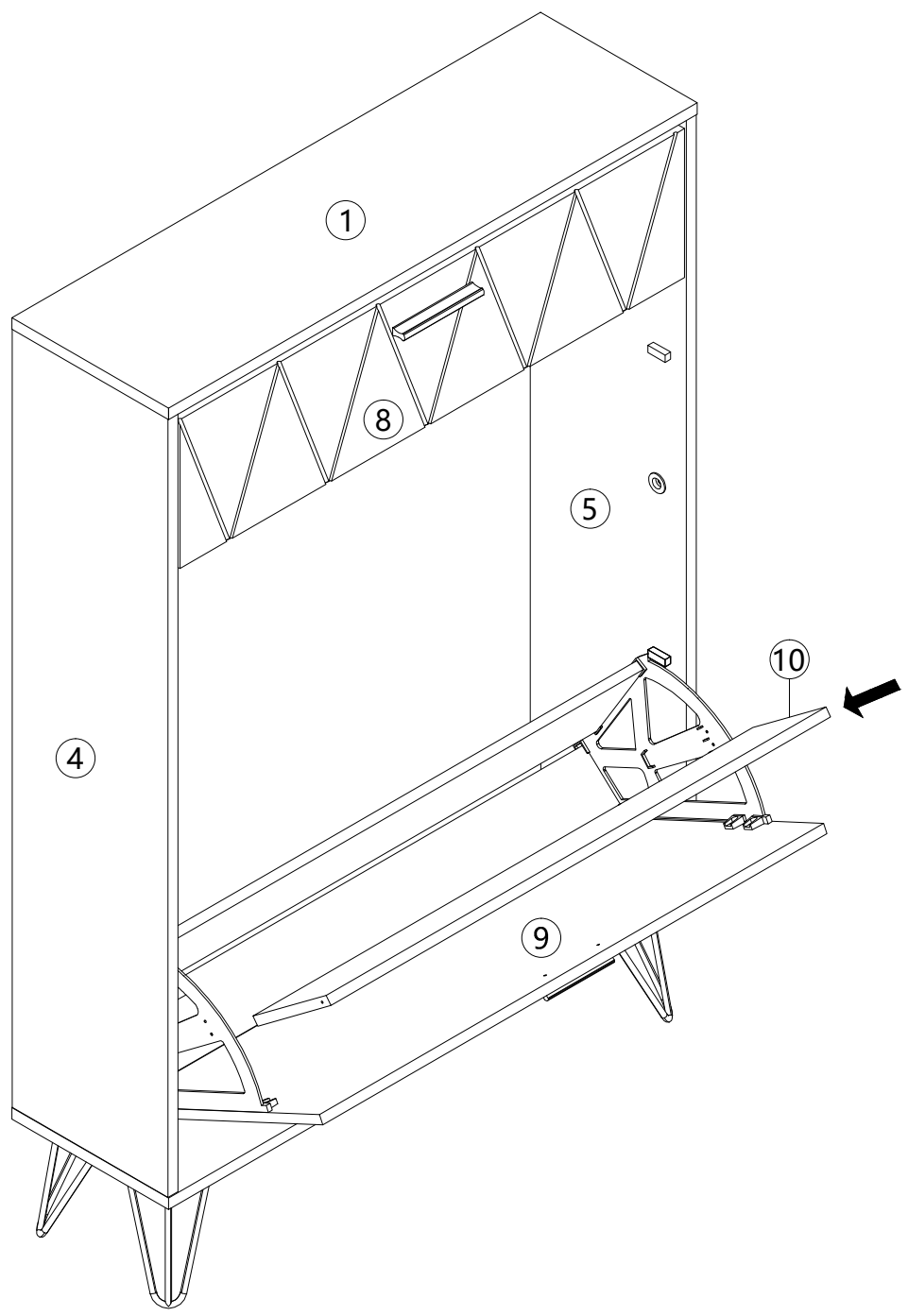


E x 4PCS

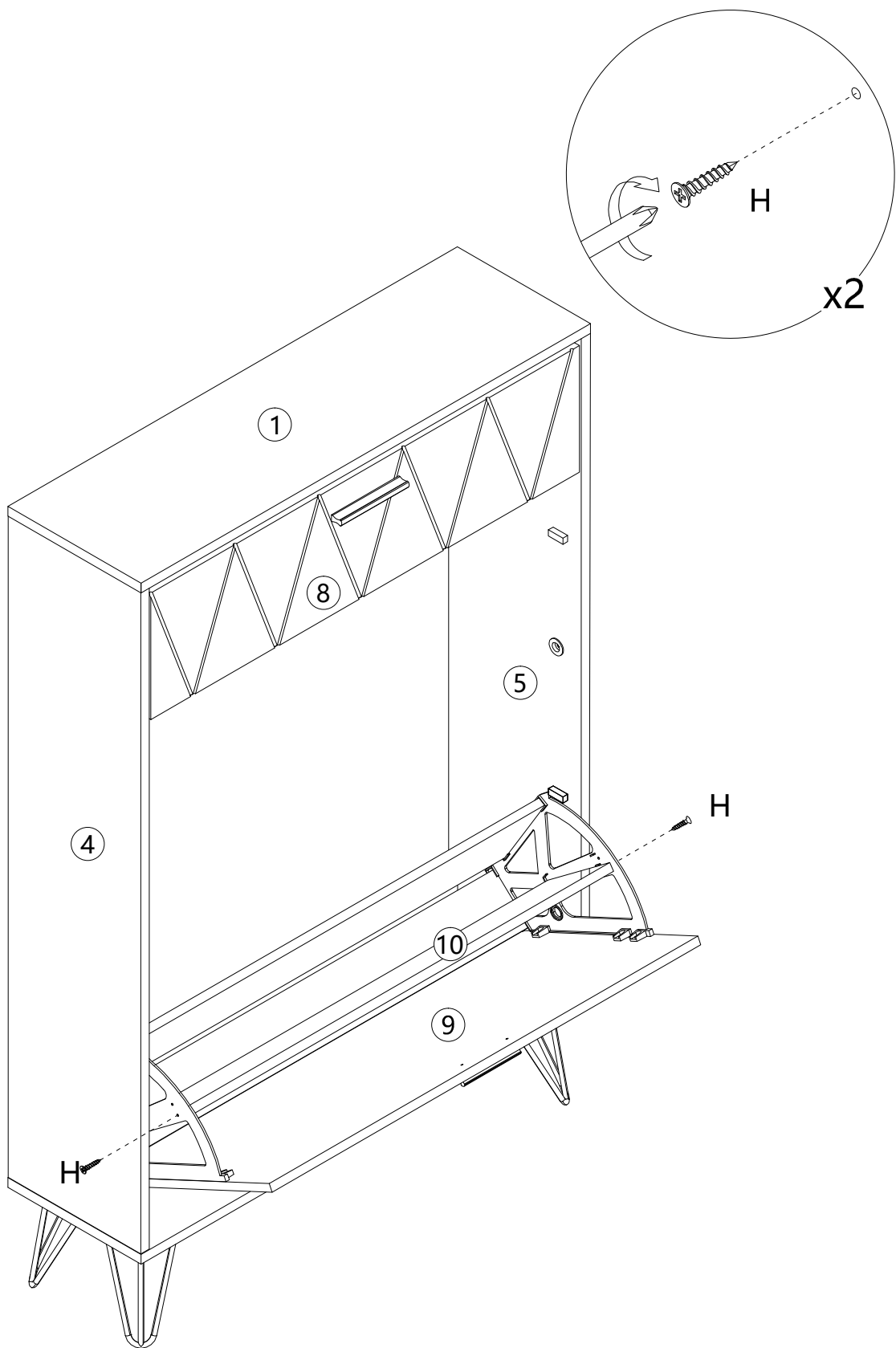




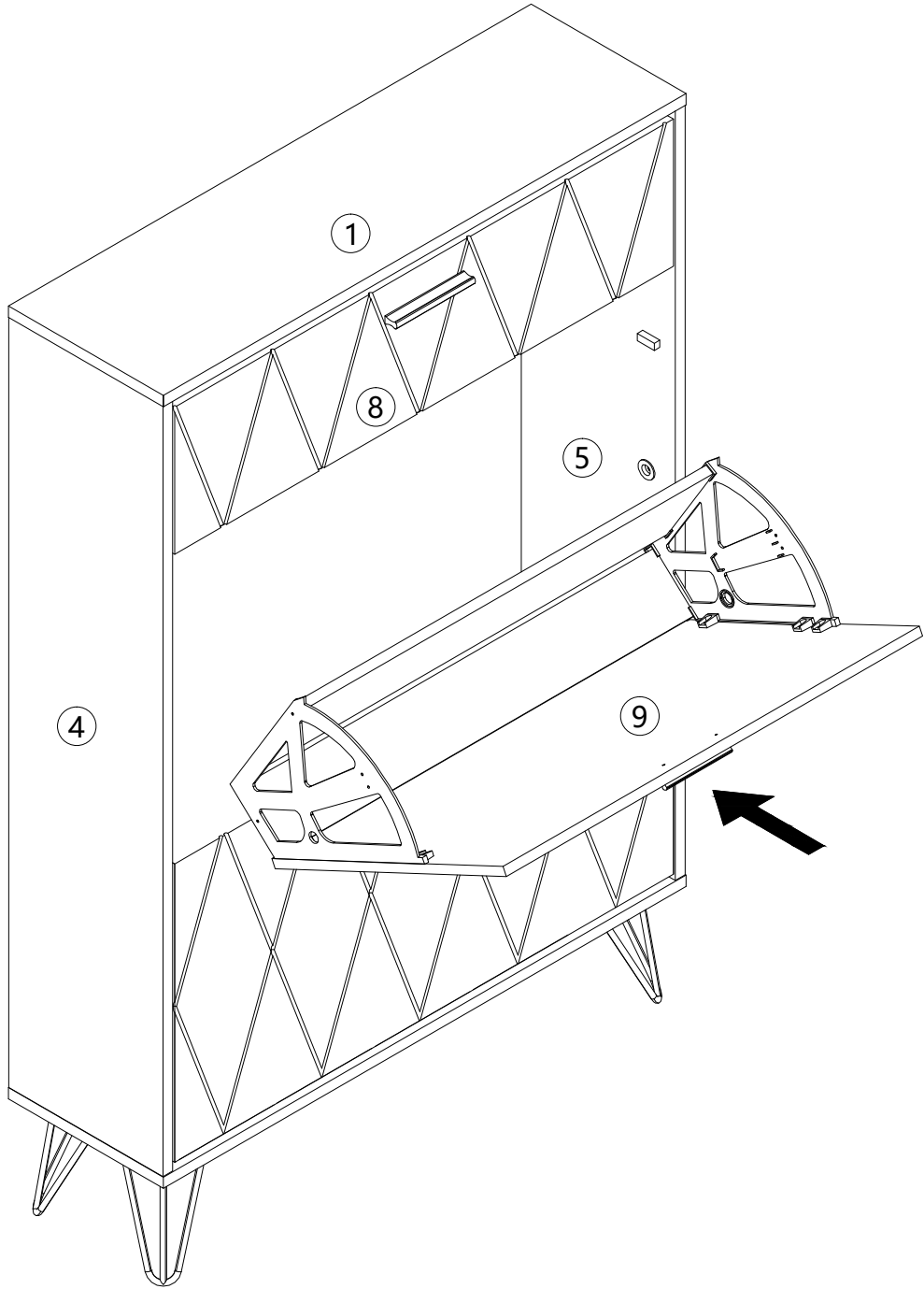
	I3 x 2PCS
	K x 2PCS

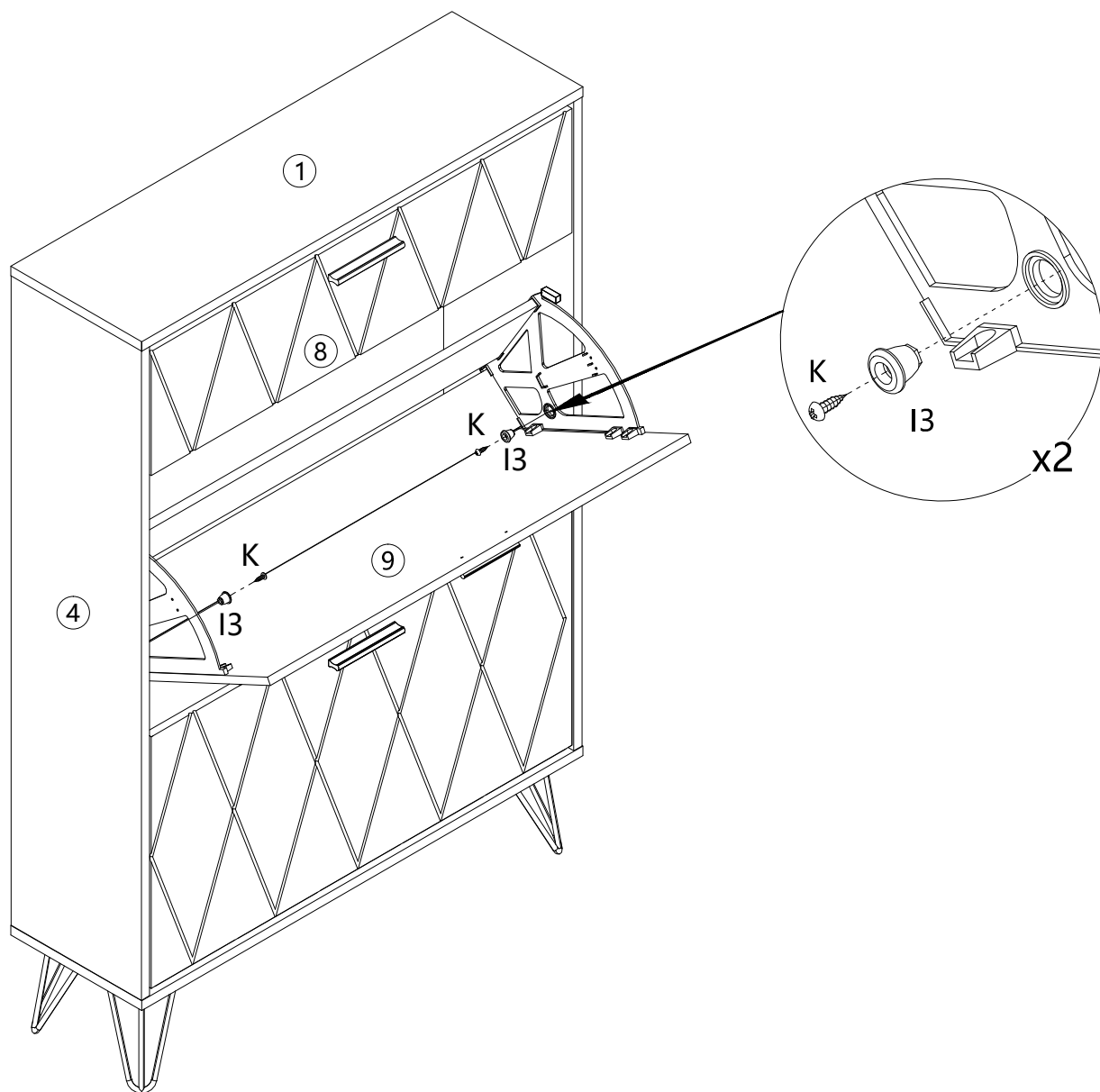



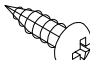
24

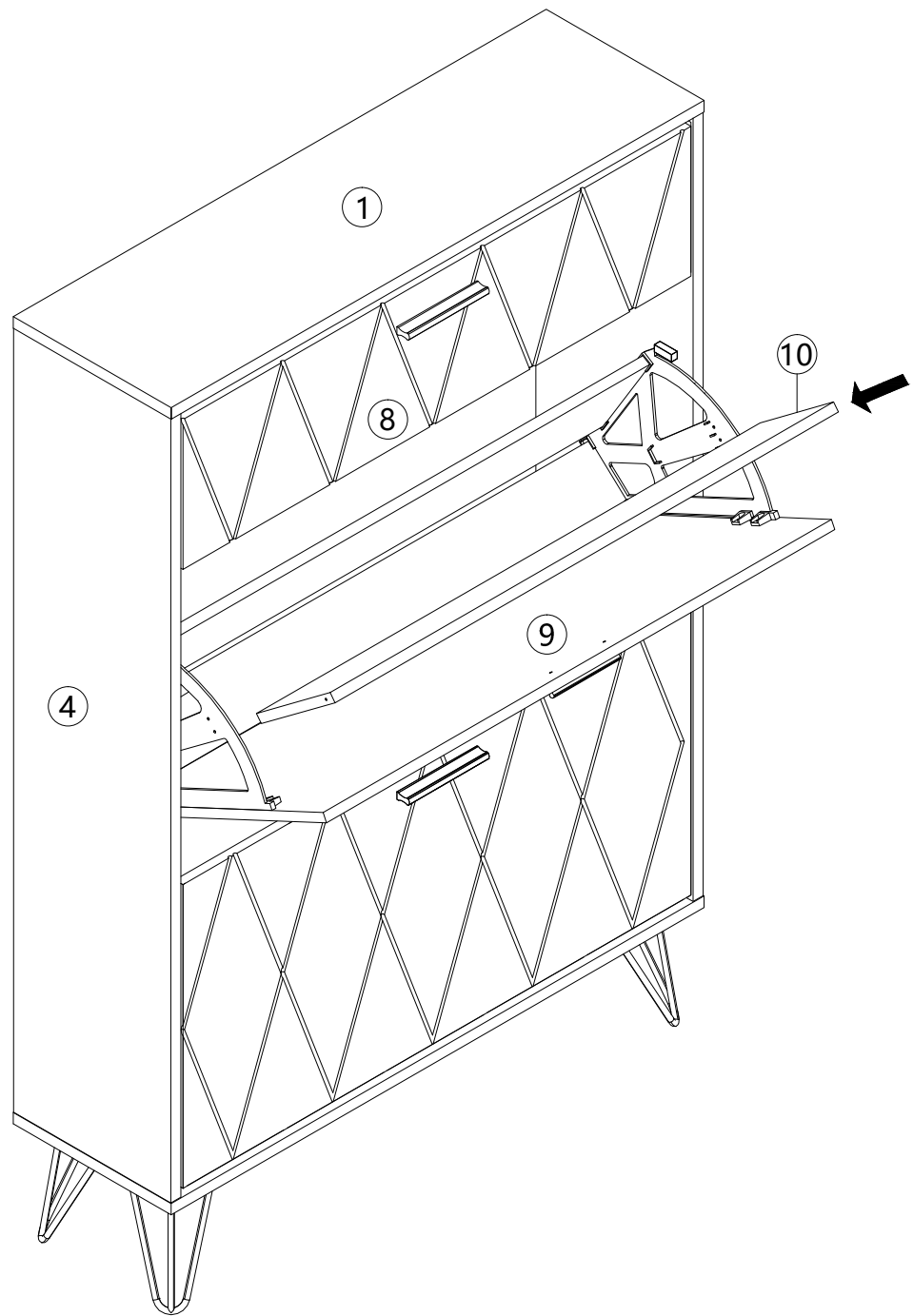


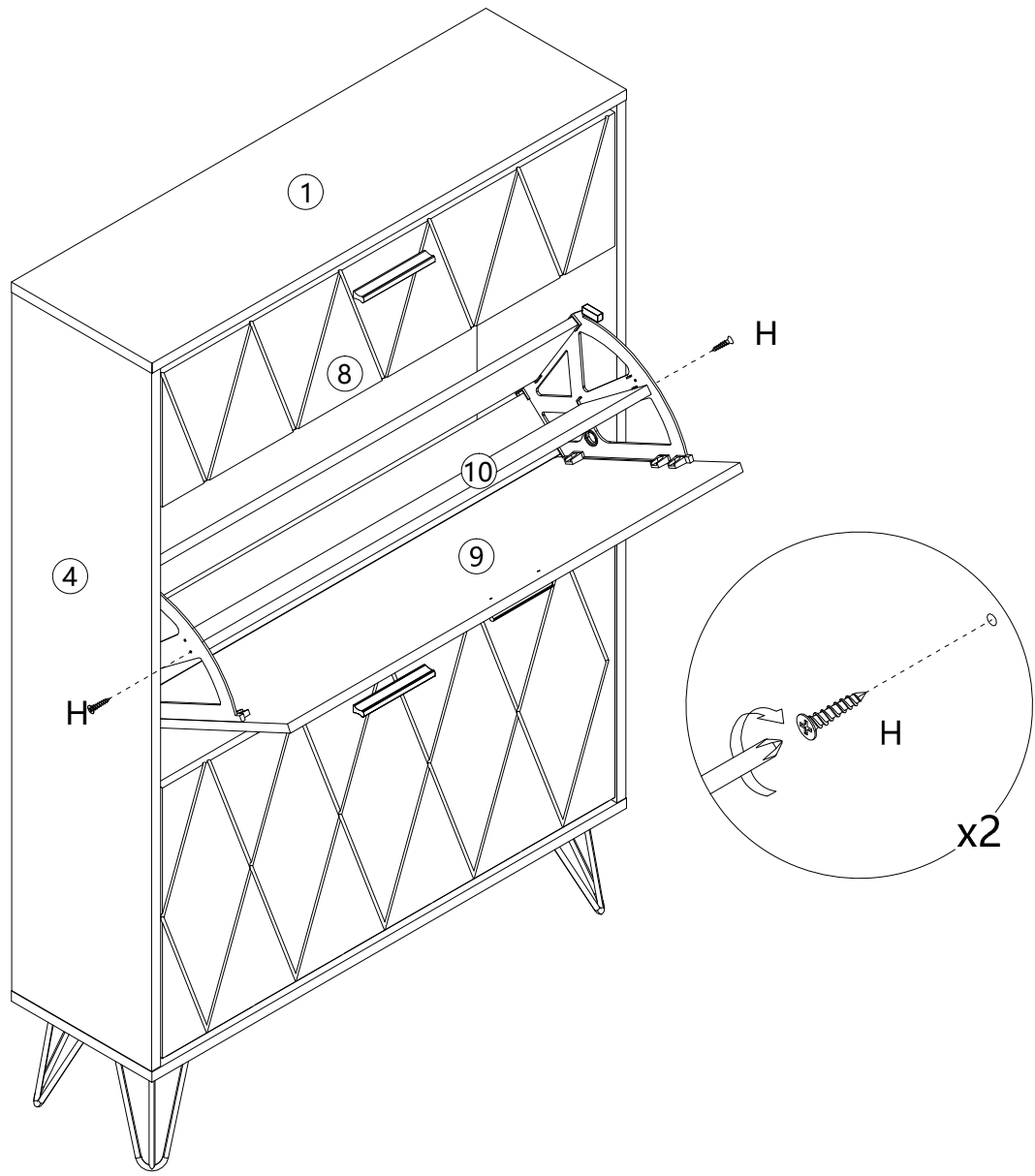
H x 2PCS

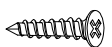


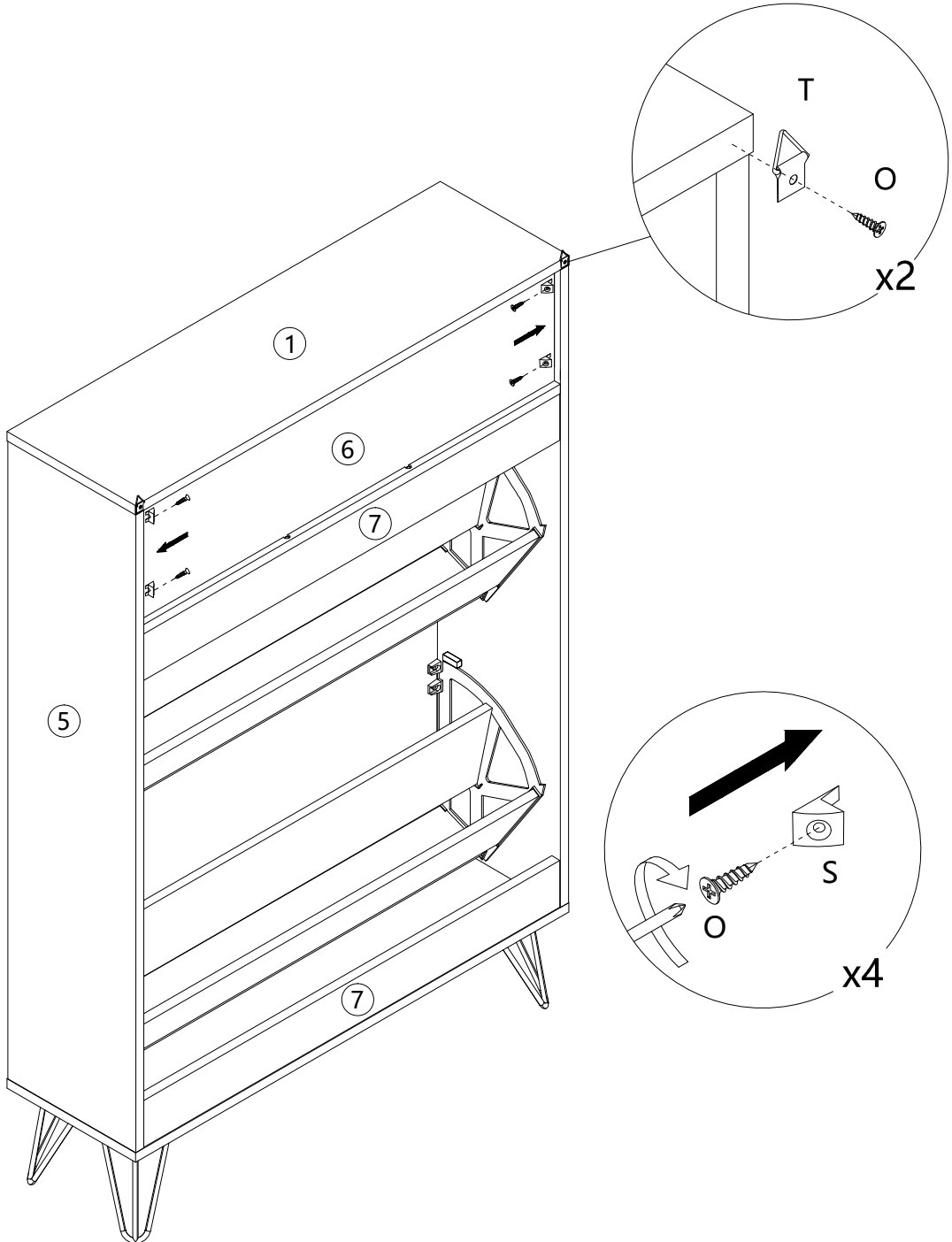





	I3 x 2PCS
	K x 2PCS

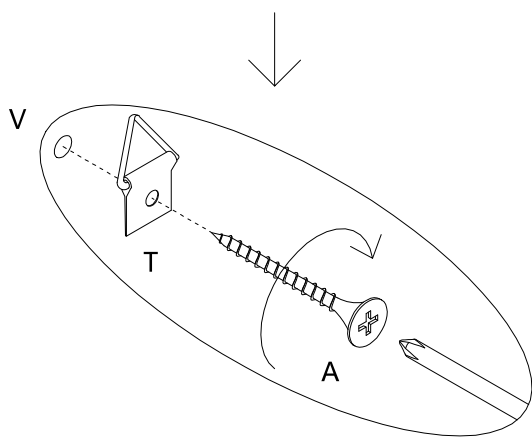
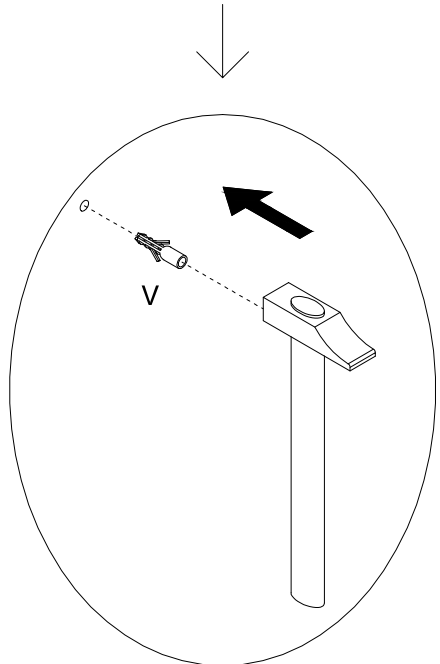
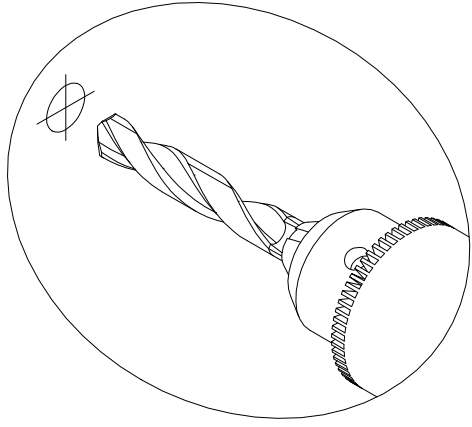
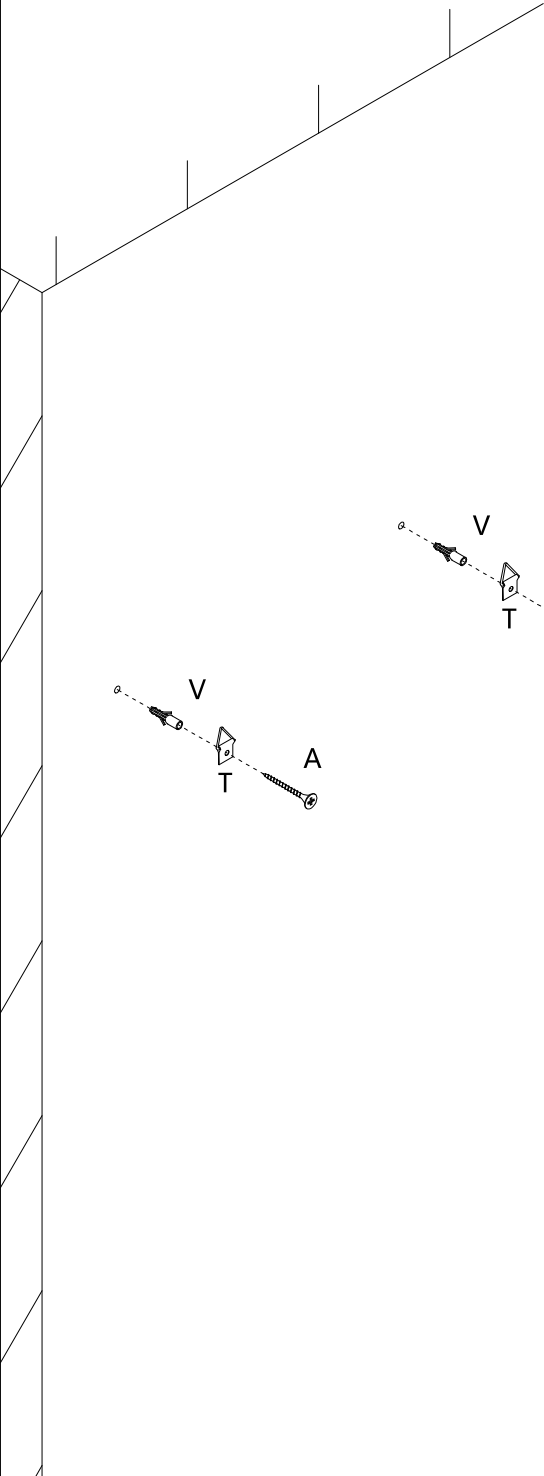


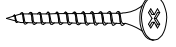




 H x 2PCS

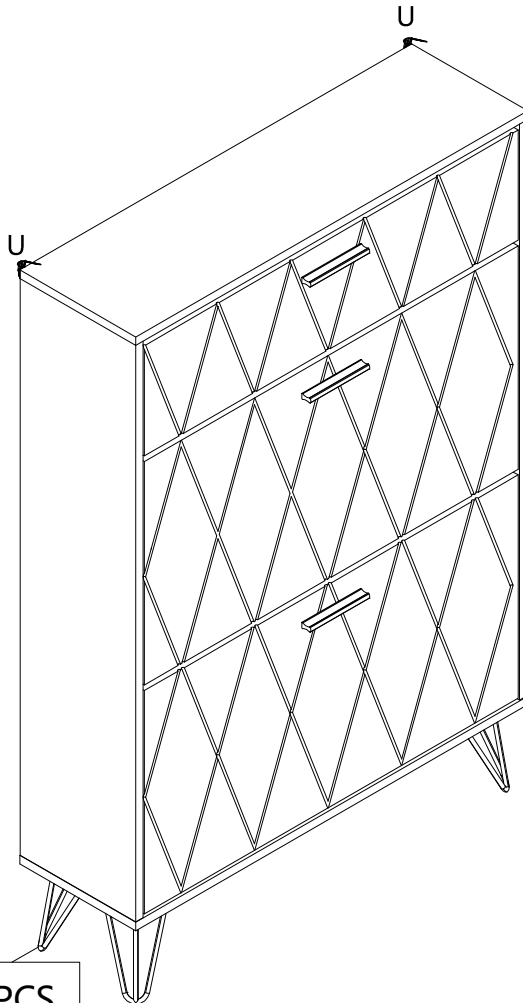
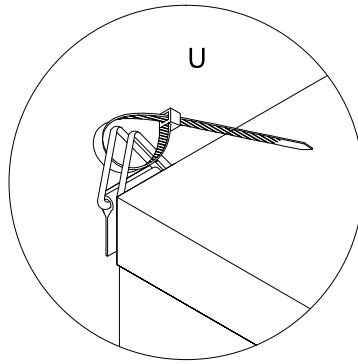
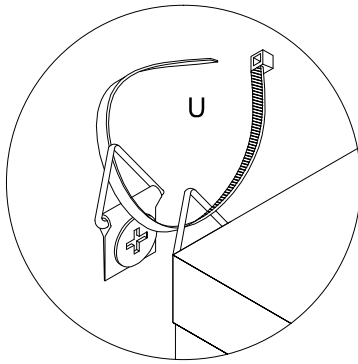
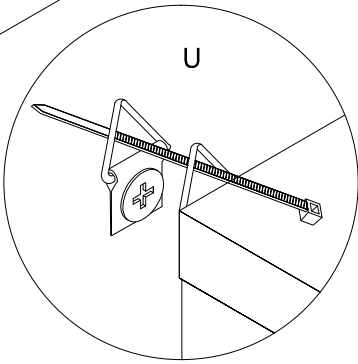


	O x 6PCS
	S x 4PCS
	T x 2PCS



	A x 2PCS
	T x 2PCS
	V x 2PCS

31



U x 2PCS

PRODUCT PARAMETER

Package size (mm)	1155*470*168
Size (mm)	800*239*1200
Colour	White
Type	3 layers
Texture	Engineering board
Base	4 individual iron legs
Load-bearing	≥150 lbs

Address: Shuangchenglu 803nong11hao1602A-1609shi, baoshanqu, shanghai 200000 CN.

Imported to AUS: SIHAO PTY LTD, 1 ROKEVA STREETEASTWOOD NSW 2122 Australia

Imported to USA: Sanven Technology Ltd., Suite 250, 9166 Anaheim Place, Rancho Cucamonga, CA 91730

EC	REP
-----------	------------

E-CrossStu GmbH.
Mainzer Landstr.69, 60329 Frankfurt am Main.

UK	REP
-----------	------------

YH CONSULTING LIMITED.
C/O YH Consulting Limited Office 147, Centurion House, London Road, Staines-upon-Thames, Surrey, TW18 4AX

VEVOR[®]

TOUGH TOOLS, HALF PRICE

Technical Support and E-Warranty Certificate

www.vevor.com/support