

# **VEVOR<sup>®</sup>**

**TOUGH TOOLS, HALF PRICE**

Technical Support and E-Warranty Certificate [www.vevor.com/support](http://www.vevor.com/support)

## **FOLDING TABLE AND CHAIR CART USER MANUAL**

We continue to be committed to provide you tools with competitive price.

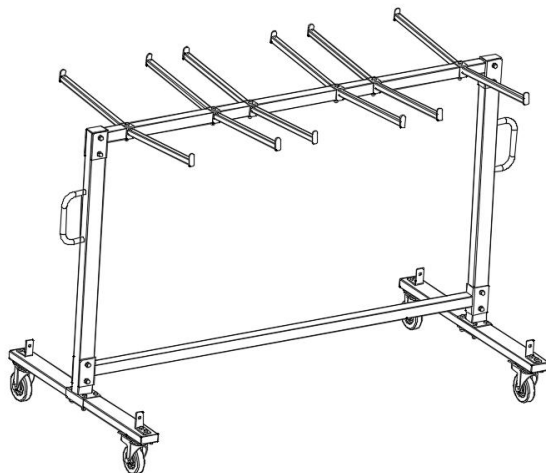
"Save Half", "Half Price" or any other similar expressions used by us only represents an estimate of savings you might benefit from buying certain tools with us compared to the major top brands and does not necessarily mean to cover all categories of tools offered by us. You are kindly reminded to verify carefully when you are placing an order with us if you are actually saving half in comparison with the top major brands.

# VEVOR®

TOUGH TOOLS, HALF PRICE

## FOLDING TABLE AND CHAIR CART

Thanks for purchasing one of our products, please read carefully the assembly instructions before the installation.



**Model: LD-CT1108**

### NEED HELP? CONTACT US!

Have product questions? Need technical support? Please feel free to contact us:

 [CustomerService@vevor.com](mailto:CustomerService@vevor.com)

This is the original instruction, please read all manual instructions carefully before operating. VEVOR reserves a clear interpretation of our user manual. The appearance of the product shall be subject to the product you received. Please forgive us that we won't inform you again if there are any technology or software updates on our product.

# PRODUCT PARAMETERS

Model	Product Size/cm	Maximum number of carrying chairs	accessory
LD-CT1108	183x86x114	42pcs (Max:120kg)	Dust cover×1 Elastic string×2

## WARNING:

Please read this manual carefully before using the product. Failure to do so may result in serious injury.

## ASSEMBLY PRECAUTIONS

1. Assemble needs to follow these instructions. Incorrect assembly can be a hazard.
2. Wear safety goggles and heavy-duty work gloves during assembly.
3. Do not assemble when tired or under the influence of alcohol, drugs or medication.
4. Weight capacity and other product capabilities only apply to a wholly and correctly assembled product.
5. Keep the assembly area clean and well-lit.
6. Keep bystanders out of the area during assembly.
7. The weight of plate is heavy; pay attention to the installation to avoid hurting it, and if necessary, find someone to assist with the installation.

## USE PRECAUTIONS



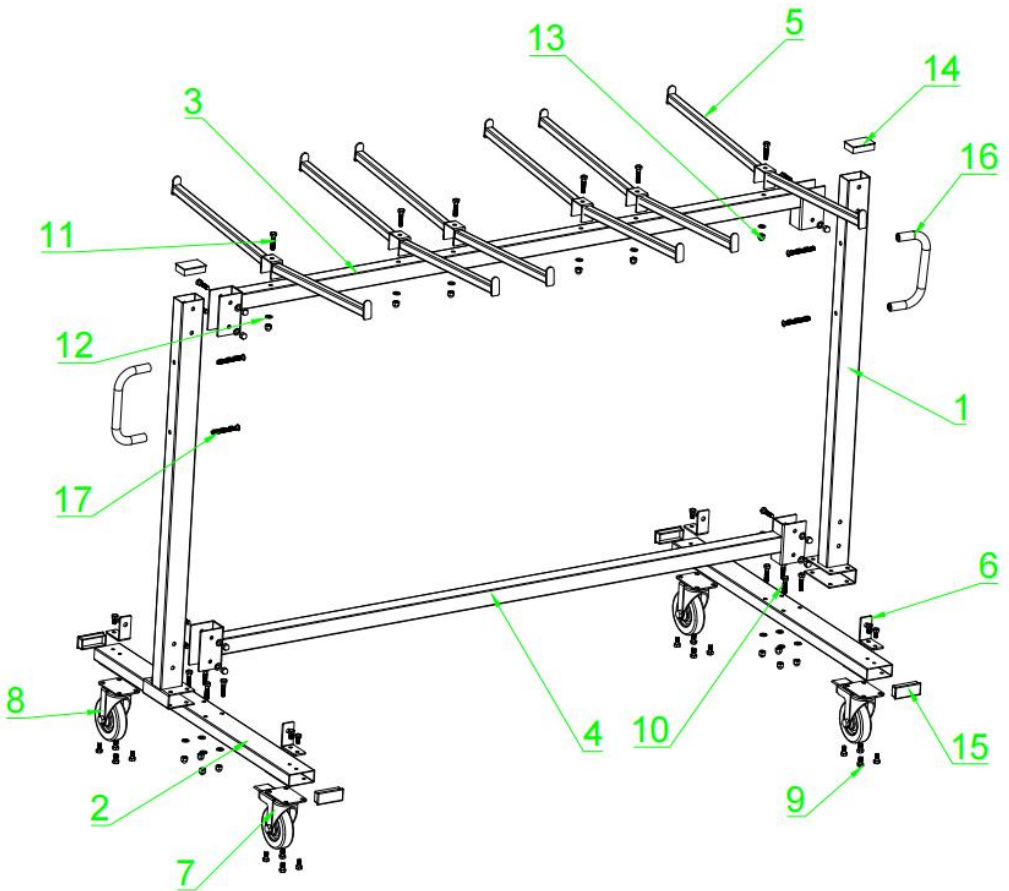
**WARNING: TO PREVENT SERIOUS INJURY AND DEATH FROM TIPPING:**

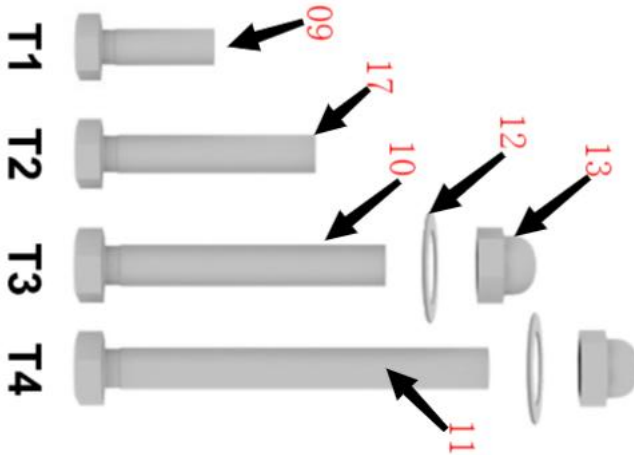
1. This product is not a toy. Do not allow children to play with or approach this item.
2. Use as intended only. Do not sit or stand on the product.

3. Inspect before every use. Do not use it if parts are loose or damaged.
4. Use on flat, level, and hard surfaces only.
5. Do not exceed the listed weight capacity. Tighten all knobs securely before applying load. Be aware of dynamic loading! The sudden load movement may briefly create an excess load, causing product failure.

## SAVE THESE INSTRUCTIONS

### Exploded Drawing





## PARTS LIST

NO.	Description	Quantity
01	Vertical Bar	2
02	Small Bar	2
03	Upper Crossbar	1
04	Lower Crossbar	1
05	Chair Hangers	6
06	Angle Bar	4
07	Wheel With Brake	2
08	Wheel	2
09	External Hexagon Bolt (M8*15)	24
10	External Hexagon Bolt (M8*50)	8
11	External Hexagon Bolt (M8*55)	14
12	Shim Φ8	22
13	Bolted Cap M8	22
14	Plastic Cover( 40*60mm)	2
15	Plastic Cover (30*70mm)	4
16	Handle	2
17	Round Head Bolt (M8*70)	4

# ASSEMBLY STEPS

## STEP 1:



I .Place the wheel on the (2) bar. Insert retaining screw T1 (4 for each wheel). Use the wrench to tighten it in place. Repeat for each of the 4 wheels.

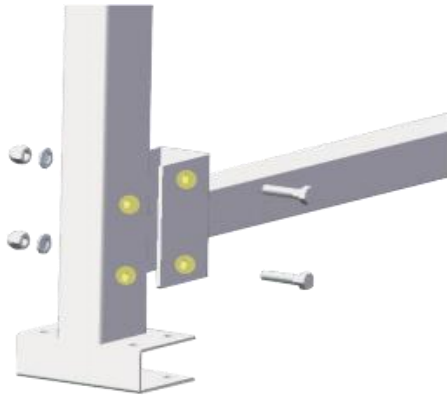
II .Place angle bar on (2) bar. Make sure the L shape faces out. Insert crossbar retaining screws T1 (2 for each one). Use the wrench to tighten it in place. Repeat for all the other 3 rods.

## STEP 2:



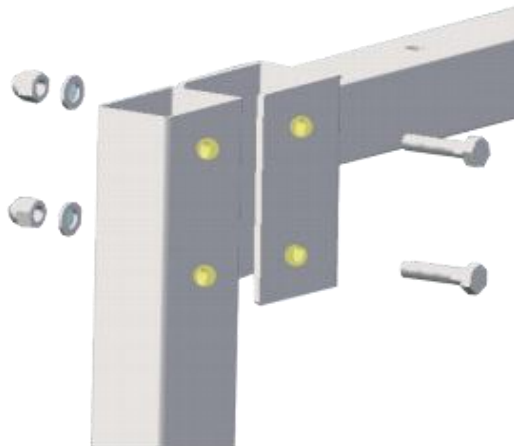
Take vertical bar (1) and place it in the middle of the bar(2). Make sure the rail part of the bar faces in. Insert retaining screws T3 (4 for each bar). Tighten screws with nut cap using wrench keys. Repeat for the other side.

### STEP 3:



Place a lower crossbar (4) at the end of the vertical bar (1). Insert retaining screws T4 (2 for each side). Tighten screws with nut cap using wrench keys. Repeat for the other side.

### STEP 4:



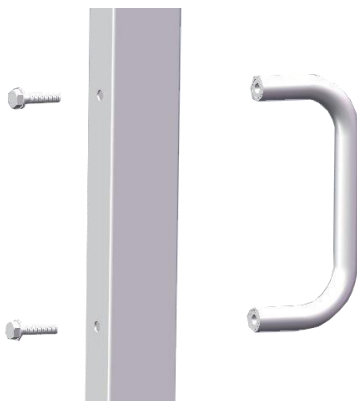
Place upper crossbar (3) at the top of the vertical bar (1). Insert retaining screws T4 (2 for each side). Tighten screws with nut cap using wrench keys. Repeat for the other side.

### STEP 5:



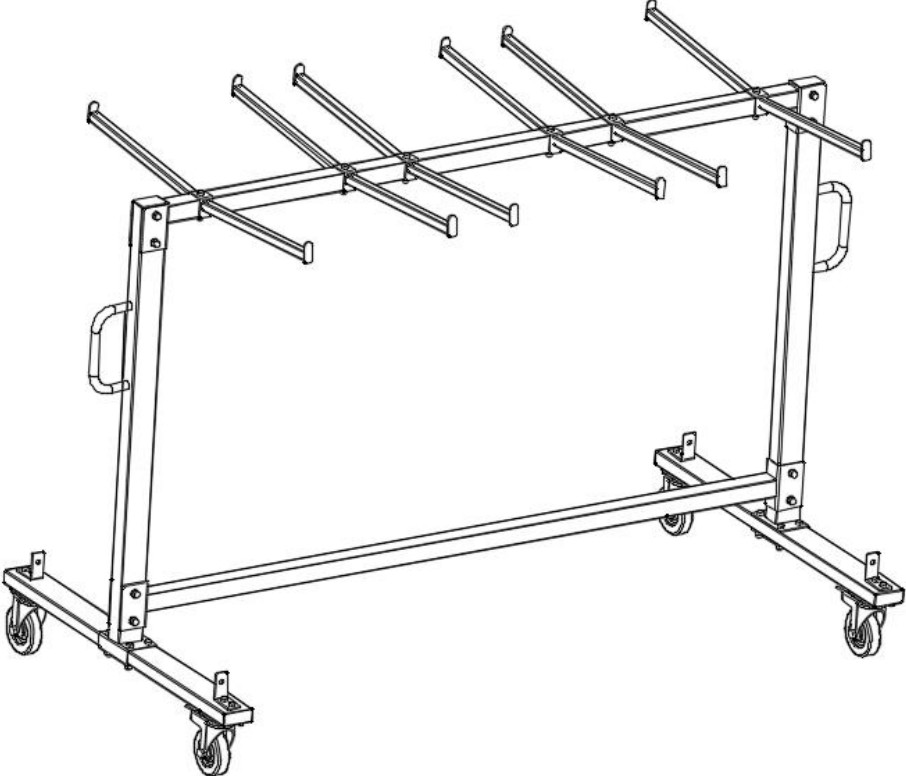
Place first chair hook on crossbar (3). Align hooks hole with crossbar (3) hole. Insert crossbar retaining screw T4 (1 for each). Tighten screw with nut cap using metal key. Repeat for all the other 5 hooks.

### STEP 6:



Finally, attach your side handle. Place handle on vertical bar. Insert retaining screws T2 (2 for each handle). Tighten screws using the hex key. Repeat for the second handle.





# Cleaning

-For cleaning, wipe the surface with a damp (not wet) cloth or wipe dry with a clean lint free cotton cloth.

**Sanven Technology Ltd.**

**Address: Suite 250, 9166 Anaheim Place, Rancho Cucamonga, CA  
91730**



**VEVOR<sup>®</sup>**

**TOUGH TOOLS, HALF PRICE**

**Support and E-Warranty Certificate [www.vevor.com/support](http://www.vevor.com/support)**

**Made in China**