

VEVOR[®]

TOUGH TOOLS, HALF PRICE

Technical Support and E-Warranty Certificate www.vevor.com/support

Dog-door-for-sliding-door USER MANUAL

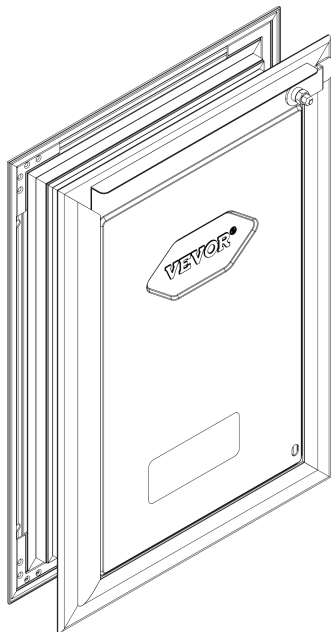
We continue to be committed to provide you tools with competitive price.

"Save Half", "Half Price" or any other similar expressions used by us only represents an estimate of savings you might benefit from buying certain tools with us compared to the major top brands and does not necessarily mean to cover all categories of tools offered by us. You are kindly reminded to verify carefully when you are placing an order with us if you are actually saving half in comparison with the top major brands.

VEVOR[®]

TOUGH TOOLS, HALF PRICE

Dog-door-for-sliding-door



CWM01-S/CWM01-M/CWM01-L/CWM01-XL

NEED HELP? CONTACT US!

Have product questions? Need technical support? Please feel free to contact us: Technical Support and E-Warranty Certificate www.vevor.com/support

This is the original instruction, please read all manual instructions carefully before operating. VEVOR reserves a clear interpretation of our user manual. The appearance of the product shall be subject to the product you received. Please forgive us that we won't inform you again if there are any technology or software updates on our product.

Important Safety Information



The warning sign depicted serves to alert you about possible dangers that may cause personal injuries. Adhere to all subsequent safety instructions indicated by this symbol to prevent any potential harm or fatal consequences.

WARNING indicates a hazardous situation which, if not avoided, could result in death or serious injury.

CAUTION used with the safety alert symbol, indicates a hazardous situation which, if not avoided, could result in minor or moderate injury.

NOTICE is used to address safe use practices not related to personal injury.

⚠ WARNING

When there are children in the home, it's crucial to integrate the pet door into your child safety measures. The risk lies in a child potentially misusing the pet door and gaining access to hazardous areas beyond it. Parents or homeowners with swimming pools must ensure constant supervision of the pet entrance and implement sufficient barriers around the pool. Should a novel danger arise within or outside the home, reachable via the pet door, remember that the included closing panel or lock, if available, is designed primarily for aesthetics and energy conservation, not as a security feature. VEVOR will not be held responsible for any unintended usage, and by purchasing this product, you accept full accountability for supervising the access it permits.

Power tools pose a high risk of severe injuries; adherence to all safety guidelines is mandatory. Always don appropriate safety gear.

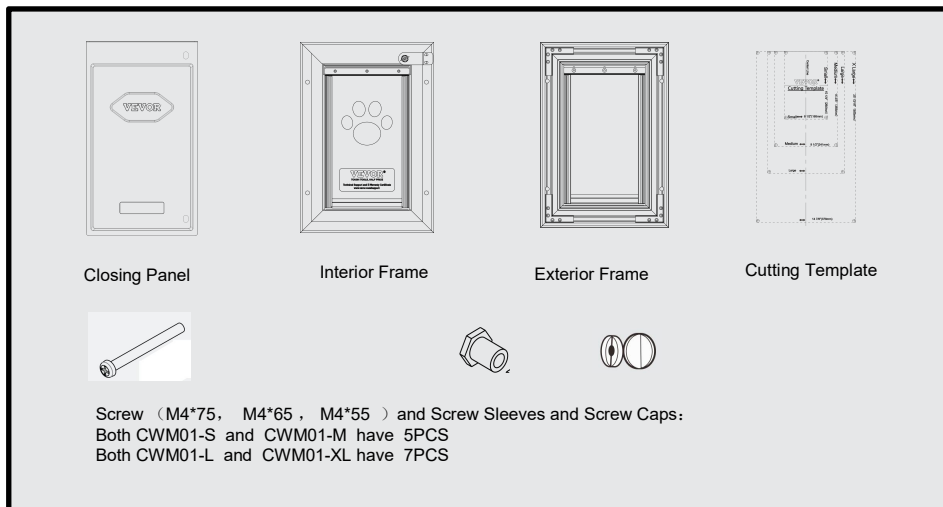
⚠ CAUTION

Before installation, users must acquaint themselves with relevant building codes impacting the pet door's installation. Collaborate with a licensed contractor to assess the door's fitness for the specific installation—note that this pet door isn't fire-resistant. Both owner and contractor should carefully evaluate any existing or potential hazards on either side of the pet door, plus those arising from property modifications and their implications on the door's presence, proper use, and potential misuse.

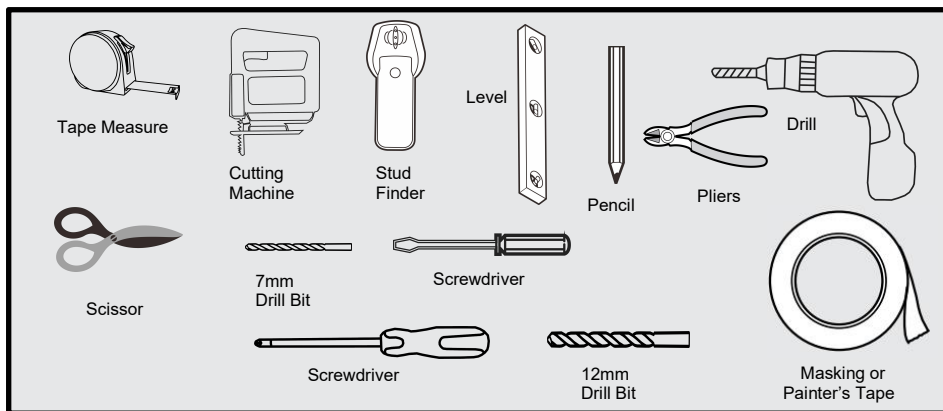
NOTICE

Retain these guidelines alongside your vital documents, and ensure they are conveyed to the prospective owner of the property. Inspect the intended location for the pet door for any electrical or plumbing installations that might interfere. Verify that the support fits securely, neither excessively lengthy nor unduly brief, as either condition could inflict harm on the wall. If fastening screws into vinyl siding, you might need to bore a pilot hole slightly wider than the screw heads through the siding. This enables the screws to anchor flush against the plywood without deforming the vinyl siding.

Kit includes



Tools Needed



Key Definitions

Outer Frame Size: Overall pet door dimensions

Cut door Size: Opening cut in homeowner's door for proper fit and pet door installation

Replacement Flap Size: Overall flap size when removed from pet door. During extreme changes in

weather, vinyl flaps can shrink during cold months and stretch in warmer months

Flap Opening Size: Usable flap size for pet to enter and exit through pet door

Interior Frame: Pet door frame on the inside of home

Exterior Frame: Pet door frame on the outside of home

Model and Parameters

Suitable Door Thickness: 1 1/16" ~ 2" (27~50mm)

CWM01-S:

Flap Opening Size: 5 1/4"W × 8 1/8"H (133×206mm)

Cutting Door Size: 6 1/2"W ×10 1/4 "H (165×260mm)

CWM01-M:

Flap Opening Size: 8 1/4"W × 12 1/4"H (210×311mm)

Cutting Door Size: 9 1/2"W ×14 2/5"H (241×365mm)

CWM01-L:

Flap Opening Size: 10 1/4"W × 16 1/4"H (260×413mm)

Cutting Door Size: 11 1/2"W ×18 2/5"H(292*467mm)

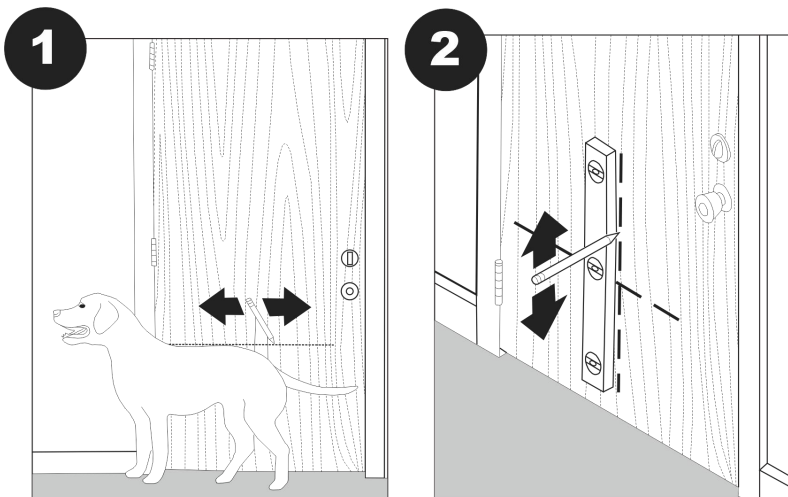
CWM01-XL:

Flap Opening Size: 13 5/8"W × 23 5/8"H (346×600mm)

Cutting Door Size: 14 7/8"W ×25 13/16 "H(378×655mm)

Mark the pet door location

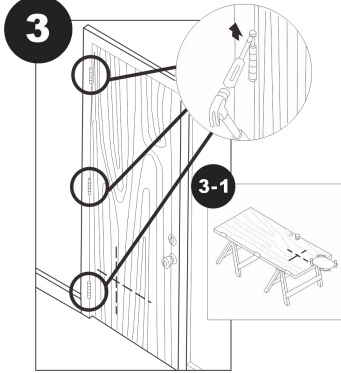
1. Measure and mark your pet's shoulder height on the inside of the door where you will install the pet door
2. Using a level, draw a vertical line where you want the center/centre of the pet door to be located ,The pet door must be level to swing properly.



Prepare the door

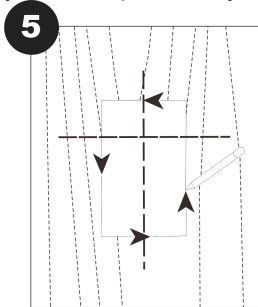
3. If possible, remove the door from its hinges and place it on a raised level surface, such as two saw horses (3-1). The interior side of the door should face up. Make sure there is nothing underneath the door where you will cut the opening for the pet door.

If necessary, you can install the pet door without removing the door from its hinges.



4. Cut out the correct size cutting template for your pet door.

5. Tape the cutting template to the interior side of the door, matching the shoulder and center/centre lines on the template with the shoulder and center/centre lines you drew previously



NOTICE

Make sure there is a minimum of 3 inches (8 centimetres) between the outer edge of the cutting template and the bottom and sides of the door to maintain the structural integrity of the door.

6. Trace the outside edge of the cutting template, making sure to connect the corners.

7. Remove the cutting template and any excess tape from the door.

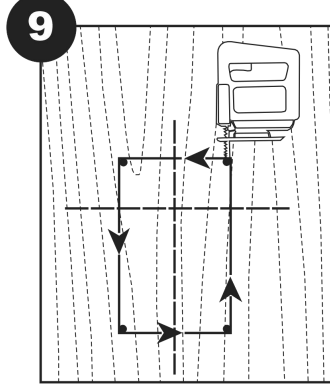
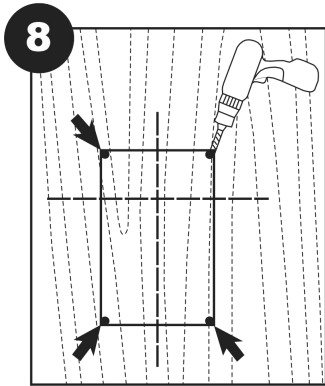
Cut the pet door opening

NOTE: When drilling holes and cutting the opening for the pet door, wear safety glasses and make sure to hold the drill and jigsaw with both hands and at a 90-degree angle to the door

8. Drill 1/2-inch (12-millimetre) holes just inside the corners of the drawn template.

These will be the pilot holes for the saw blade.

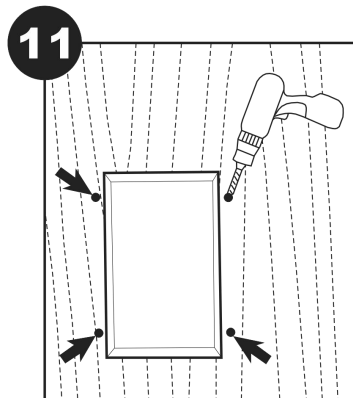
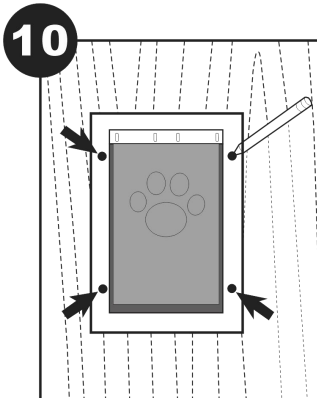
9. Cut between the holes you just drilled, along the drawn template lines



Drill holes for the frame

10. Place the interior frame (the frame with one flap) in the opening and mark the screw holes (four holes for the medium and large pet doors, six holes for the x-large pet door)

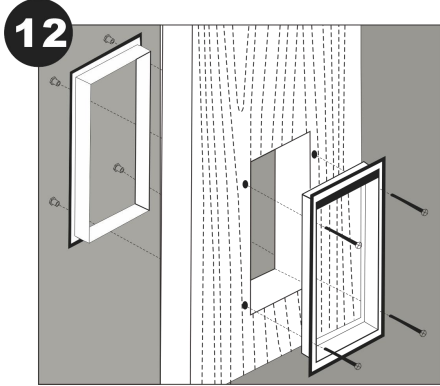
11. Remove the frame and drill 1/4-inch (7-millimetre) holes in the marked locations.



Install the pet door

NOTE: If you purchased an Installation Adaptor, place the installation adaptor plates on the interior and exterior frames of the pet door before installation. The Installation Adaptor is necessary only if you are installing the pet door in a door less than 1 1/2 inches (38 millimetres) thick. For more details, please contact Customer Care.

12. Place the interior frame (the frame with one flap) in the opening on the interior side of the door.



13. Place the exterior frame (the frame with two flaps) in the opening on the exterior side of the door.

14. Insert screws through the holes in the interior and exterior frames and match screw sleeves to the end of each screw.

15. Tighten the screws until the frames come together and the screw sleeves are flush with the exterior frame.

NOTICE

16. Use a manual screwdriver to tighten screws. Do not overtighten. Overtightening can strip the screws or warp the pet door frame.

17. For best weather resistance, caulk around the exterior frame and inside the threshold where the frames meet.

18. If you removed your door from its hinges, rehang it now.

Train your pet

19. Lift the flaps or tape them open as you use praise and treats to encourage your pet to go through the pet door.

19



It may help if you are on one side of the door and your pet is on the other. Do not force your pet through the pet door.

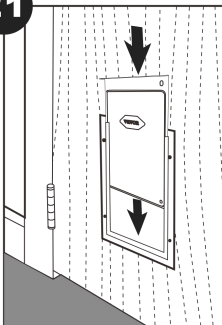
20. After your pet has gone through the pet door a few times, allow the flaps to touch your pet's back so he will become comfortable using the pet door on his own.

Use the closing panel

The closing panel is useful during inclement weather, or to prevent your pet from using the pet door at certain times.

21. To use the closing panel, slide it into the grooves at each side of the pet door frame. Pull and release the latch to lock it in place.

21



To remove, pull the latch and slide the closing panel up and off the pet door frame.

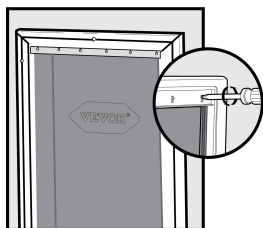
You can use an additional closing panel (sold separately) on the exterior frame of

the pet door for improved weather resistance.

Replacement Flaps

Replace & Adjust

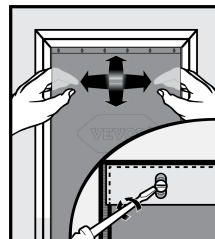
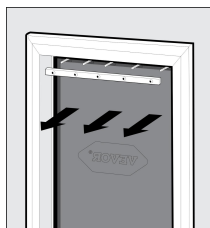
During extreme changes in weather, vinyl flaps can shrink during cold months and stretch in warmer months. Easily replace or adjust to ensure a snug fit during seasonal changes.



To Replace: Remove screws from the interior frame of pet door.



Remove bar and flap.



Replace new vinyl flap and position horizontally and vertically to fit into door frame. Replace existing bar and tighten screws in place.

To Adjust: Slightly loosen screws from interior frame of pet door.



Slightly move bar away from flap.



Adjust flap horizontally and/or vertically to fit into door frame. Push bar towards flap and tighten screws in place.

Terms of Use and Limitation of Liability

1. Acceptance of Terms Usage of this product is conditional upon your unaltered acceptance of the terms, conditions, and notices detailed herein. Engaging with the product signifies your agreement to all such provisions.

2. Intended Usage The product has been tailored for pet training purposes. It is essential to consider your pet's unique disposition, as it may not be compatible with this system. Should you have doubts about its suitability for your pet, seek advice from a veterinarian or a certified animal behaviorist. Adequate usage encompasses studying the comprehensive Operating Guide accompanying your product and heeding all specific Warnings included.

3. Prohibited Applications The design of this product confines its application to pets exclusively. It is not purposed to cause harm, injury, or agitation. Misapplication of the product in contradiction to its intended function could lead to breaches of federal, state, or municipal regulations.

4. Liability Exclusion Vevor shall not be held accountable for any direct, indirect, punitive, incidental, special, or consequential harms, or any damages of any kind arising from or in connection with the proper or improper use of this Product. The

purchaser accepts full responsibility and liability stemming from the utilization of this Product.

5. Amendments to Terms and Conditions Vevor Corporation retains the authority to amend the terms, conditions, and notices governing the provision of this Product at its discretion.

Manufacturer: Shanghai muxinmuyeyouxiangongsi

Address: Shuangchenglu 803nong11hao1602A-1609shi, baoshanqu, shanghai 200000 CN.

EC REP: E-CrossStu GmbH.

Mainzer Landstr.69, 60329 Frankfurt am Main.

UK REP: YH CONSULTING LIMITED.

C/O YH Consulting Limited Office 147, Centurion House, London Road, Staines-upon-Thames, Surrey, TW18 4AX

Imported to AUS: SIHAO PTY LTD.

1 ROKEVA STREET EASTWOOD NSW 2122 Australia

Imported to USA: Sanven Technology Ltd.

Suite 250, 9166 Anaheim Place, Rancho Cucamonga, CA 91730

VEVOR[®]

TOUGH TOOLS, HALF PRICE

Technical Support and E-Warranty Certificate

www.vevor.com/support