

# **VEVOR<sup>®</sup>**

## **TOUGH TOOLS, HALF PRICE**

Technical Support and E-Warranty Certificate

[www.vevor.com/support](http://www.vevor.com/support)

### **FUEL CADDY——JGC32PE**

#### **Model: JGC32PE**

We continue to be committed to provide you tools with competitive price.

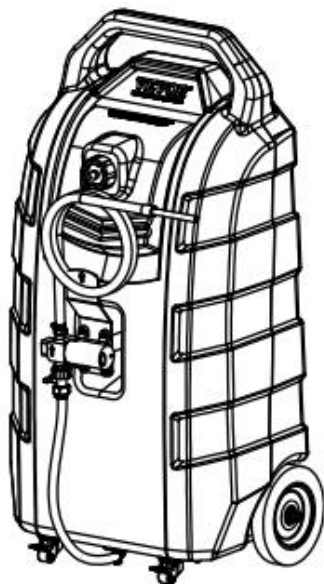
"Save Half", "Half Price" or any other similar expressions used by us only represents an estimate of savings you might benefit from buying certain tools with us compared to the major top brands and does not necessarily mean to cover all categories of tools offered by us. You are kindly reminded to verify carefully when you are placing an order with us if you are actually saving half in comparison with the top major brands.

# VEVOR<sup>®</sup>

TOUGH TOOLS, HALF PRICE

## FUEL CADDY

MODEL: JGC32PE



### NEED HELP? CONTACT US!

Have product questions? Need technical support? Please feel free to contact us:

**Technical Support and E-Warranty Certificate**  
**[www.vevor.com/support](http://www.vevor.com/support)**

This is the original instruction, please read all manual instructions carefully before operating. VEVOR reserves a clear interpretation of our user manual. The appearance of the product shall be subject to the product you received. Please forgive us that we won't inform you again if there are any technology or software updates on our product.

## **⚠️ WARNING**

1. Read carefully and understand all **ASSEMBLY AND OPERATION INSTRUCTIONS** before operating.
2. Failure to follow the safety rules and other basic safety precautions may result in serious personal injury.

## **GENERAL SAFETY RULES**

When using this product, basic precautions should always be followed, including the following;

- This product is not intended for use by persons (including children) with reduced physical, sensory, or mental capabilities or lack of experience and knowledge unless they have been given supervision or instruction concerning the use of the product by a person responsible for their safety.
- Do not use this product other than intended use.
- Wear proper protective equipment when installing or using this product.
- Ensure all fittings and threaded connections are tightened and leak-free before operating.

### **A DANGER!**

Fuels are extremely flammable. Keep away from heat sparks and open flames.

- Do not use electronics or mobile communications devices such as mobile phones when pumping flammable liquids.
- Attach ground wire and bond containers that are being pumped from and into. Ground all containers to a known ground source to dissipate static electricity before pumping liquids.
- Fuel vapors can explode. Harmful or fatal if swallowed. Avoid breath in fuel vapors.
- Do not smoke near or while using the fuel caddy.
- This product is intended for fuel transfer only and is not intended to be used to transport fuel in any vehicle or trailer.
- Do not modify this product.

## **A WARNING! CAUTION! ATTENTION!**

- Do not use this product for prop-longed fuel storage.
- Use the caddy for one fuel type only to avoid possible damage.
- Monitor flow rate and fill level to prevent overflows and spills.
- Always empty the pump and hose after using the caddy. Lift the hose and turn the handle in the opposite direction to empty all remaining liquid back into the caddy.
- Caution when filling the caddy through the fill tube, Monitor closely to prevent overflows or spills.
- This product is not suitable for placing in a yacht, off-road vehicle, and another violent vibration place.



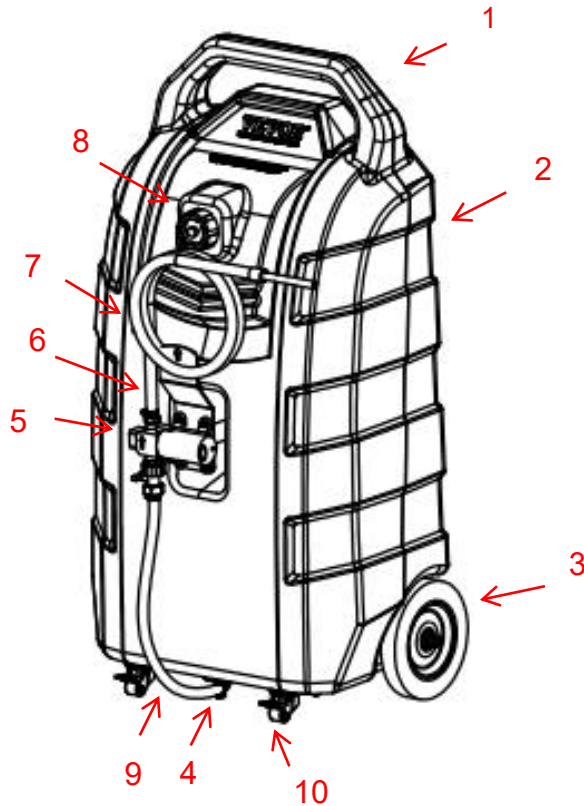
Never use the fuel caddy near open flames or heat sources.

## **SAVE THESE INSTRUCTIONS**

### **MODEL AND PARAMETERS**

<b>Model</b>	<b>JGC32PE</b>
Capacity	32 Gal
Fuel Type	Diesel,Lubricating Oil,Gasoline
Oil Discharge	Electric Pump
Rating(s)	DC12V, 80W
Max. Flow	7L/min
Hose	Φ12(Inside Diameter)x250cm
Wheel	8" Fixed Wheel+2.5"Swivel Caster
Package	1
Material	PE
Color	Red

## STRUCTURE DIAGRAM



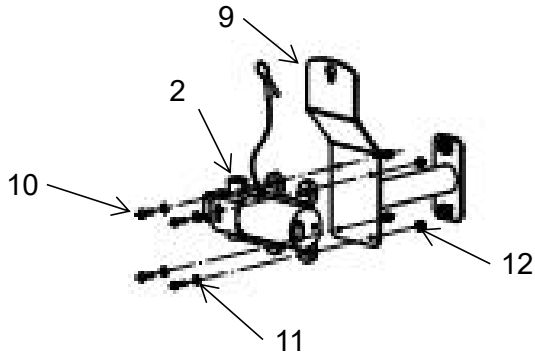
- 1. Handle    2. Fuel Tank    3. Fixed Wheel    4. Outlet
- 5. Electric Pump    6. Fixed Plate Assembly    7. Long Hose
- 8. Fuel Tank Cap    9. Flexible Pipe    10. Universal wheel

## COMPONENTS

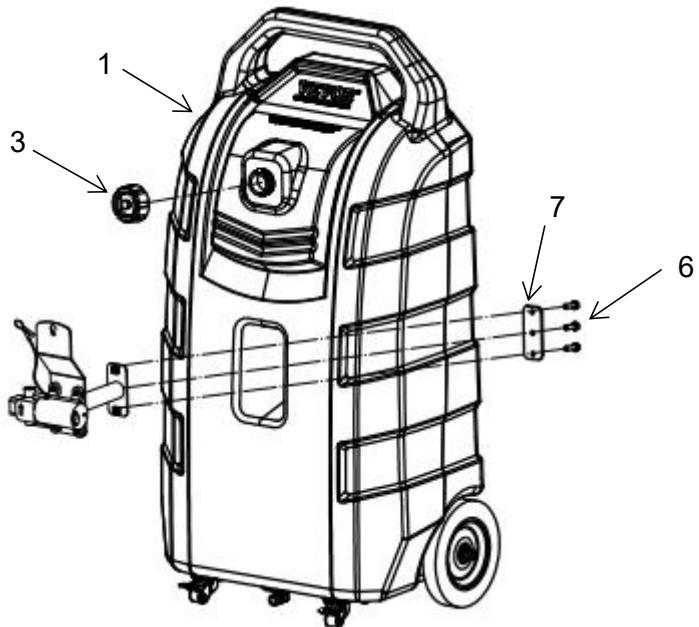
N	Picture	Name and Qty	N	Picture	Name and Qty
1		Box (x1)	9		Fixed Plate Assembly (x1)
2		Electric Pump (x1)	10		M4*16Cross Slot Head Screw (x4)
3		Fuel Tank Cap (x1)	11		Φ4 Flat Washer
4		Long Hose (x1)	12		M4 Jam Nut (x4)
5		Φ13-Φ19Hose Clamp (x1)	13		Inner Silk Pagoda Joint (x1)
6		Assembling Bolt (x3)	14		Aluminum Variable Diameter Joint(x1)
7		Reinforced Sheet (x1)	15	/	User Manual (x1)
8		Flexible Pipe (x1)	16		Power Line (X1)

## ASSEMBLY

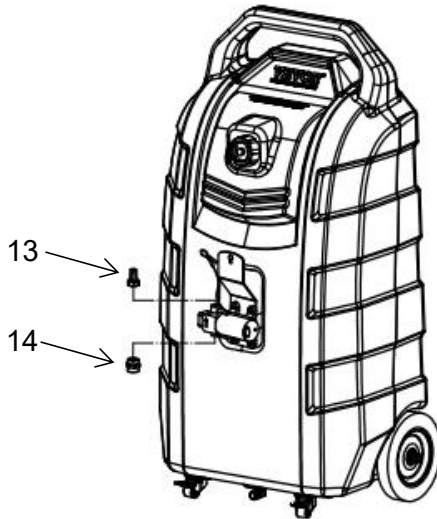
**Step1:** Install the pump(2) on the fixed mount(9) and pre-tighten with screws,gasket and nuts(10,11,12) as shown below.



**Step2:** Install the assembly on the fuel tank and lock with screws(6) as shown. Put on the fuel tank cap(3).

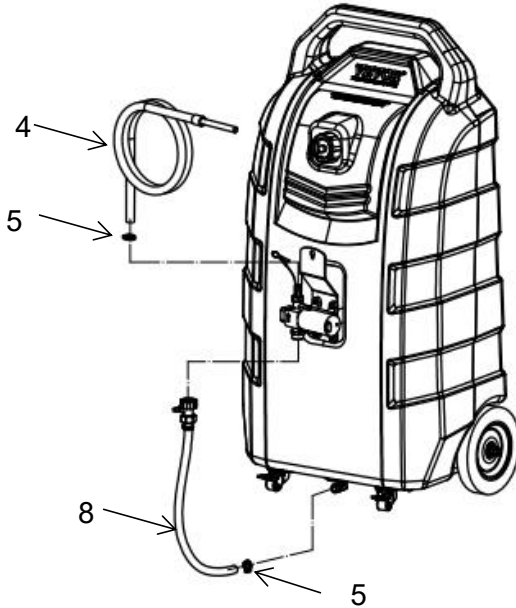


Step3: Install the pagoda connectors(13,14) on the electric pump as shown.

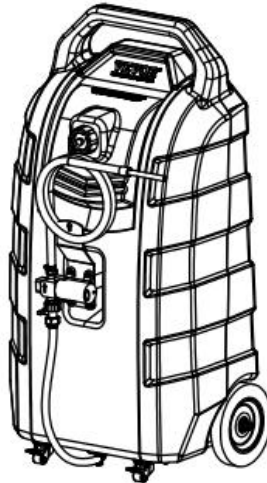


Step4: Connect the long hose(4) to the outlet connector of the pump and lock with hose clamp(5).  
Connect pump inlet to tank outlet with flexible pipe(8) and lock with hose clamp(5).





**Step5:** Make sure that the components are tightened;The product is assembled and ready for use.



## OPERATION

### Refueling operation:

-Please choose the appropriate oil filling, do not fill with chemicals or other corrosive solvents.

- Lay the tank flat and make sure the direct ball valve joint is closed.
- Open the tank cap and fill the oil.
- Pay attention to the tank filling during oil filling to avoid overflow.
- After filling the tank, tighten the cap and place the tank in a safe place.

### **Pumping operation:**

- Before pumping oil, ground the grounding wire of the fuel tank.
- Place the tank vertically and turn the air valve of the fuel tank cap counterclockwise.
- Open the direct ball valve joint at the bottom of the tank
- Continuously rotate the oil pump clockwise to pump oil.
- After pumping, rotate the pump counterclockwise to recover the remaining oil in the long hose and return to the tank.
- Close the direct ball valve joint and the air valve of the fuel tank cap.

## **MAINTENANCE**

1. Please clean the measure and filter regularly.
2. Keep away from fire.
3. After using a gasoline tank, it is recommended to lubricate the pump—Remove the long hose, add a small amount of oil at the outlet, slowly rotate the pump counter-clockwise, and fully lubricate the pump body.
4. For different types of oil, cleaning the tank before storing another type of oil is recommended.
5. If this product is not used for a long time, it is recommended to clean and store it in a cool and dry environment

Sanven Technology Ltd.

Address: Suite 250, 9166 Anaheim Place, Rancho Cucamonga, CA 91730





**VEVOR**<sup>®</sup>

**TOUGH TOOLS, HALF PRICE**

**Technical Support and E-Warranty Certificate**

**[www.vevor.com/support](http://www.vevor.com/support)**