

# **VEVOR<sup>®</sup>**

## **TOUGH TOOLS, HALF PRICE**

Technical Support and E-Warranty Certificate

[www.vevor.com/support](http://www.vevor.com/support)

## **FUEL CADDY USER MANUAL**

**Model: JGC30W**

We continue to be committed to provide you tools with competitive price.

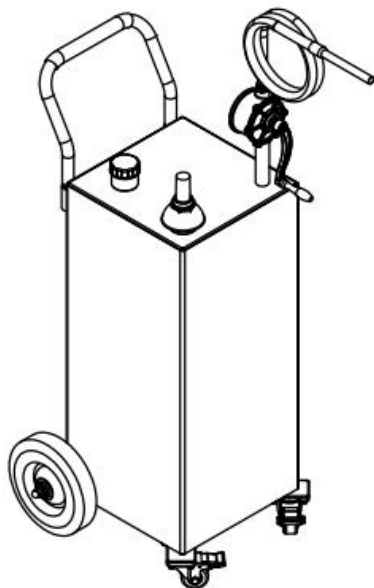
"Save Half", "Half Price" or any other similar expressions used by us only represents an estimate of savings you might benefit from buying certain tools with us compared to the major top brands and does not necessarily mean to cover all categories of tools offered by us. You are kindly reminded to verify carefully when you are placing an order with us if you are actually saving half in comparison with the top major brands.

# VEVOR<sup>®</sup>

TOUGH TOOLS, HALF PRICE

## FUEL CADDY

MODEL: JGC30W



### NEED HELP? CONTACT US!

Have product questions? Need technical support? Please feel free to contact us:

**Technical Support and E-Warranty Certificate**  
**[www.vevor.com/support](http://www.vevor.com/support)**

This is the original instruction, please read all manual instructions carefully before operating. VEVOR reserves a clear interpretation of our user manual. The appearance of the product shall be subject to the product you received. Please forgive us that we won't inform you again if there are any technology or software updates on our product.

## **▲WARNING**

1. Read carefully and understand all **ASSEMBLY AND OPERATION INSTRUCTIONS** before operating.
2. Failure to follow the safety rules and other basic safety precautions may result in serious personal injury.

## **GENERAL SAFETY RULES**

When using this product, basic precautions should always be followed, including the following;

- This product is not intended for use by persons (including children) with reduced physical, sensory or mental capabilities, or lack of experience and knowledge, unless they have been given supervision or instruction concerning using the product by a person responsible of their safety.
- Do not use this product other than intended use.
- Wear proper protection equipment when installing or using this product.
- Ensure all fittings and threaded connections are tightened and leak free before operating.

## **A DANGER!**

Fuels are extremely flammable. Keep away from heat sparks, and open flame.

- Do not use electronics or mobile communications devices such as mobile phones when pumping flammable liquids.
- Attach ground wire and bond containers that are being pump from and into. Ground all containers to a known ground source to dissipate static electricity before pumping liquids.
- Fuel vapors can explode. Harmful or fatal if swallowed. Avoid breath in fuel vapors.
- Do not smoke near or while using the fuel caddy.

- This product is intended for fuel transfer only and is not intended to be used to transport fuel in any vehicle or trailer.
- Do not modify this product.

### **A WARNING! CAUTION! ATTENTION!**

- Do not use this product for prop-longed fuel storage.
- Use caddy for one type of fuel only to avoid possible damage.
- Monitor flow rate and fill level to prevent overflows and spills.
- Always empty the pump and hose after using the caddy. Lift the hose and turn the handle to the opposite direction to empty all remaining liquid back into the caddy.
- Caution when filling the caddy through the fill tube, Monitor closely to prevent overflows or spills.



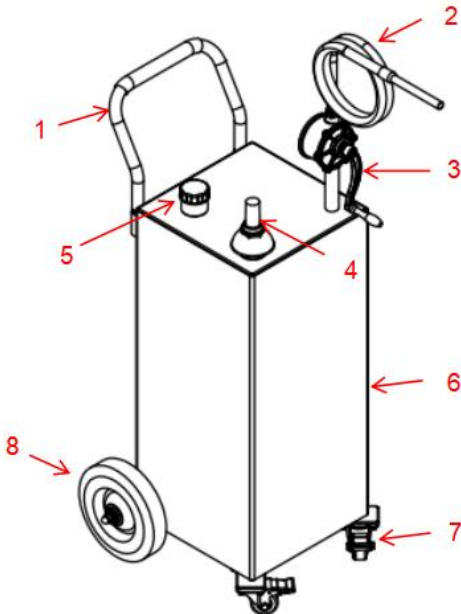
Never use the fuel caddy near open flames or heat sources.

### **SAVE THESE INSTRUCTIONS**

## MODEL AND PARAMETERS

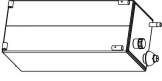
















Model	JGC30W	JGC30W
Capacity	30 Gallons	30 Gallons
Fuel Type	Diesel, Lubricating Oil, Machine Oil, Gasoline	
Pump	Hand	Hand
Max. Flow	15 L/100rpm	15 L/100rpm
Hose	Φ19(Inside	Φ19(Inside
Wheel	2.5"(Front) ; 10"(Back)	2.5"(Front) ; 10"(Back)
Material	Steel	Steel
Color	Yellow	Blue

## STRUCTURE DIAGRAM



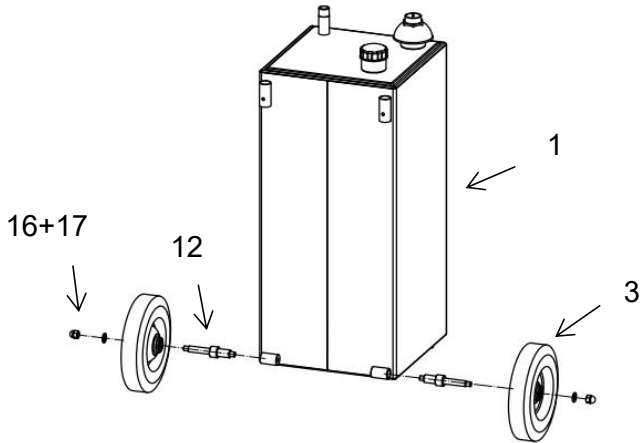
1. Handle
2. Hose
3. Pump
4. Oil gauge
5. Fuel inlet Cap
6. Fuel Tank
7. Swivel Caster (Front)
8. Fixed Wheel (Back)

## COMPONENTS

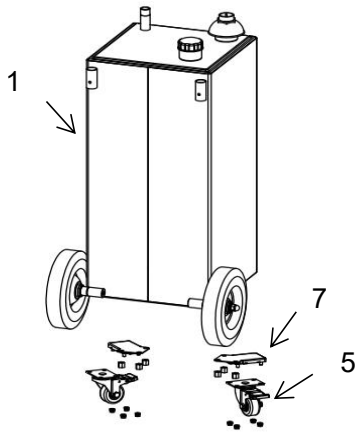
No.	Picture	Name and Qty	No.	Picture	Name and Qty
1		Fuel Tank(x1)	10		Lock Nut(x1)
2		Handle (x1)	11		Hose Clamp(x1)
3		Wheel (x2)	12		Wheel shaft (x2)
4		Oil Hose (x1)	13		Oil Gauge Fixing Nut (x1)
5		Swivel Caster (x2)	14		Oil gauge (x1)
6		Oil Pump and handle (x1)	15		Hose Fitting(x1)
7		Swivel Caster Film (x2)	16		Flat Gasket(x2)
8		Raw Tape(x1)	17		Acorn Nut M12(x2)
9		Ground Lead (x1)	18	/	User Manual(x1)

## ASSEMBLY

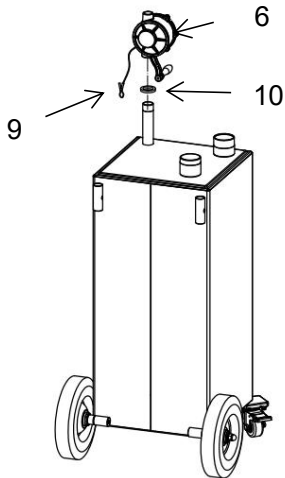
Step1: Install the fixed wheels. Screw the wheel shafts(12) into the fuel tank, then put the fixed wheels (3) into the wheel shafts and lock it with gaskets and nuts.(16+17)



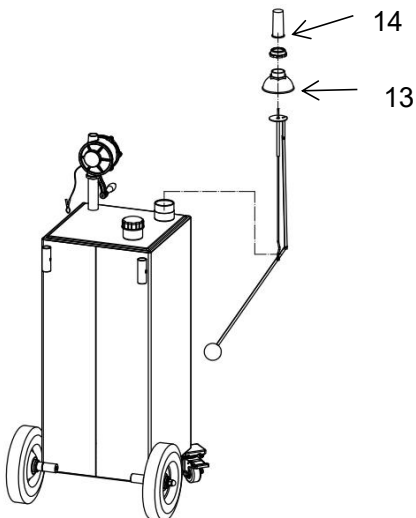
Step2: Unscrew the nuts first, and then install the swivel caster Films(7) and the swivel casters(5), screw the nuts.



**Step3:** Screw the lock nut(10) into the oil outlet, Wrap not less than 5 circles of raw tape on the outlet, then screw the pump(6) on the outlet and adjust the orientation, and finally lock the pump with the lock nut. Remove the screw on the pump and install the grounding lead(9) on the pump with this screw.

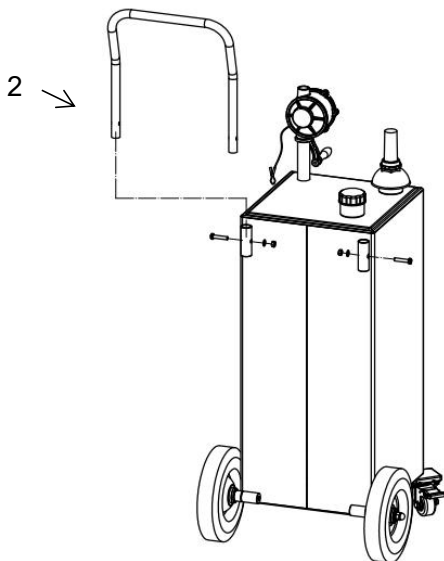


**Step4:** Lock the oil gauge(14) on the pump with the oil gauge fixing (13), as shown.

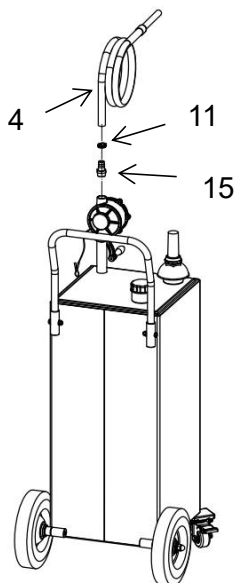




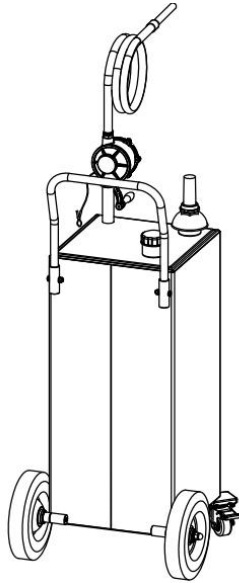
**Step5:** Insert the handle(2) into the tank at the appropriate position, as shown.



**Step6:** Wrap not less than 5 circles of raw tape on the hose fitting(15) and screw it to the pump outlet; then attach the oil hose (4) to the hose fitting(15) and lock it with a hose clamp (11).



Step 8. The product is assembled and ready for use.



## OPERATION&MAINTENANCE

1. Connect the clipper of grounding wire to a good earthing terminal and ensure user safety ;
2. Put the oil to the caddy through the oil inlet. For the first time usage, please eliminate air while noticing the measure showing.
3. Please do not add the oil beyond the capacity. When the red pointer reach the highest limited, do not add oil anymore.
4. Please clean the measure and filter regularly.
5. This machine is suitable for gasoline, diesel, lubricating oil, machine oil. But not suitable for water, or other corrosive solvent;
6. Operate the machine in a horizontal position, do not incline;
7. Keep away from fire.
8. For different types of oil, it is recommended to clean the tank before storing another type of oil.
9. If this product is not used for a long time, it is recommended to clean and store in a cool and dry environment.



**VEVOR**<sup>®</sup>

**TOUGH TOOLS, HALF PRICE**

**Technical Support and E-Warranty Certificate**

**[www.vevor.com/support](http://www.vevor.com/support)**