

VEVOR[®]

TOUGH TOOLS, HALF PRICE

Technical Support and E-Warranty Certificate

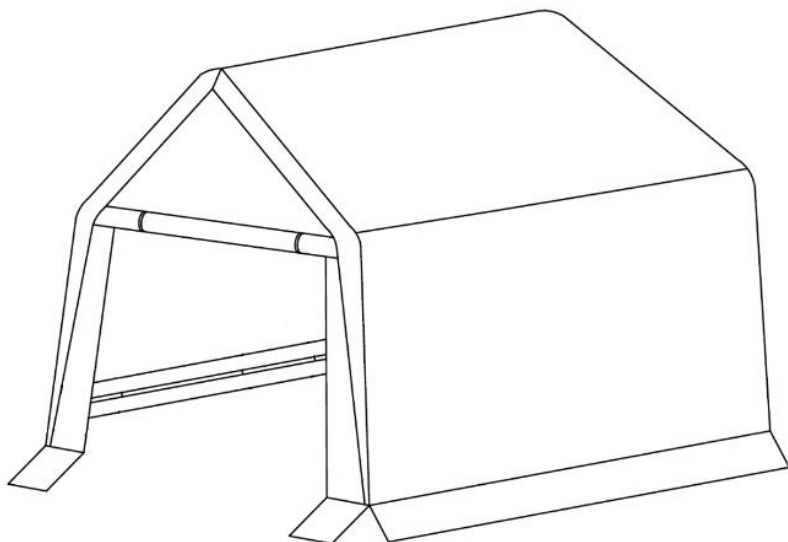
www.vevor.com/support

OUTDOOR STORAGE SHELTER USER MANUAL

We continue to be committed to offering tools at competitive prices. "Save Half", "Half Price", or any other similar expressions used by us only represent an estimate of savings you might benefit from buying certain tools with us compared to the major top brands and do not necessarily mean to cover all categories of tools offered by us. You are kindly reminded to verify carefully when placing an order with us if you are saving half in comparison with the top major brands.

VEVOR[®] OUTDOOR STORAGE SHELTER

MODEL:SCP0608



NEED HELP? CONTACT US!

Have product questions? Need technical support? Please feel free to contact us:

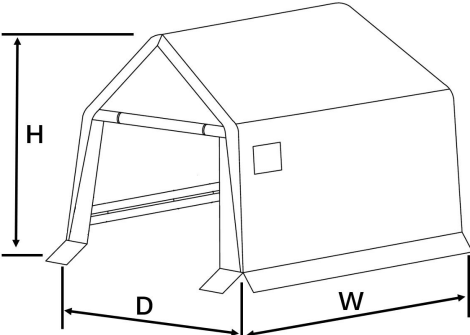
✉ CustomerService@vevor.com

This is the original instruction, please read all manual instructions carefully before operating. VEVOR reserves a clear interpretation of our user manual. The appearance of the product shall be subject to the product you received. Please forgive us that we won't inform you again if there are any technology or software updates on our product.

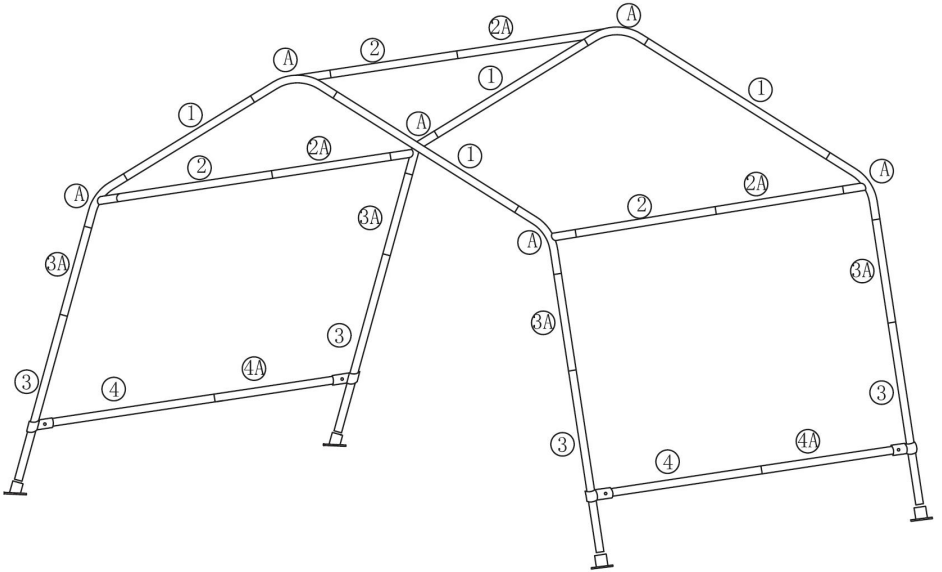
SAFETY INSTRUCTIONS

1. The instant garage needs to be installed on the smooth grass.
2. It is recommended to wear gloves during assembly.
3. You may need to use a ladder during assembly. Please pay attention to safety.
4. If any part of the product is damaged, please do not use it.
5. Do not stand or sit on top of the instant garage.
6. Do not smoke or use open flame devices in and around the instant garage to avoid fire.
7. In bad weather, the instant garage needs to be put away.
8. It is not recommended to use it in snowy conditions.
9. Assemble in strict accordance with the instructions, and use rope, anchor, and other accessories in the assembly process.

MODEL AND PARAMETERS

| Appearance | Color | Size (D*W*H) | Net Weight |
|---|-------|-----------------|---------------|
|  | Gray | 6*8*7FT | 51.8lbs |

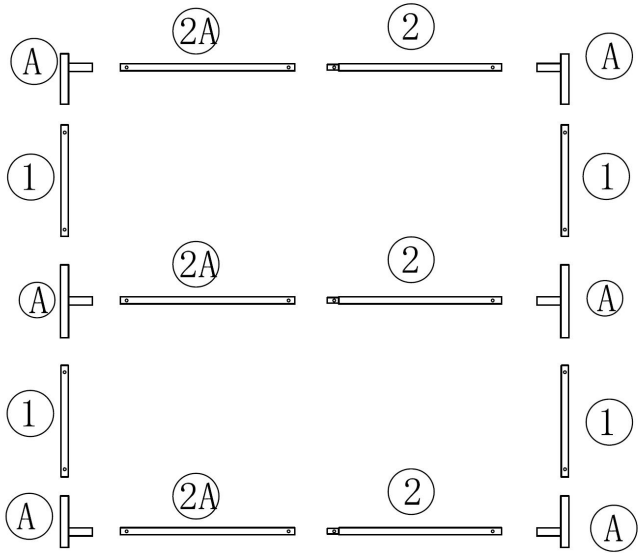
COMPONENTS



| | | | | | | |
|-----|--|------|-----|--|--------------------------------|---------|
| 1# | | 4pcs | E# | | $\phi 4.4 \times 200\text{mm}$ | 4pcs |
| 2# | | 3pcs | F# | | | 28+4pcs |
| 2A# | | 3pcs | G# | | M8×50 | 4+1 pcs |
| 3# | | 4pcs | H# | | M6×45 | 8+1 pcs |
| 3A# | | 4pcs | I# | | $\phi 4.2 \times 16$ | 12pcs |
| 4# | | 2pcs | J# | | $\phi 5$ | 4pcs |
| 4A# | | 2pcs | K# | | | 1pc |
| A# | | 6pcs | K1# | | | 1pc |
| C# | | 4pcs | K2# | | | 1pc |
| D# | | 8pcs | | | | |

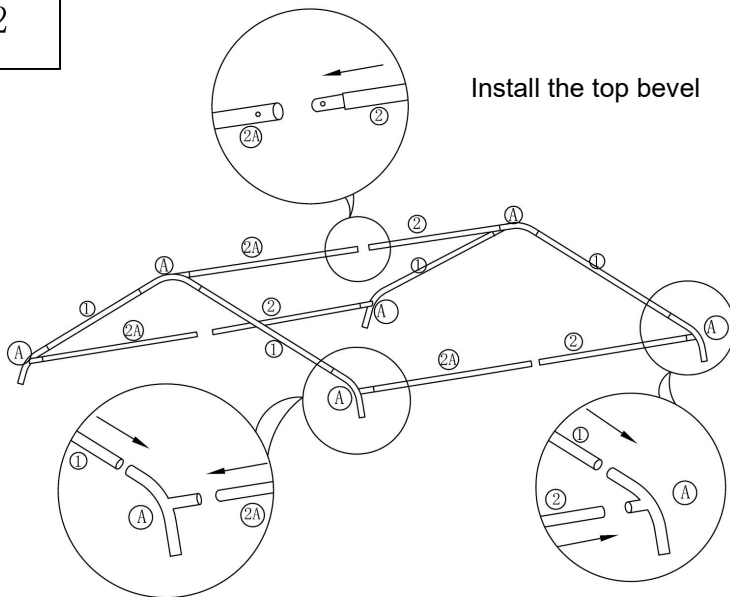
ASSEMBLY

1

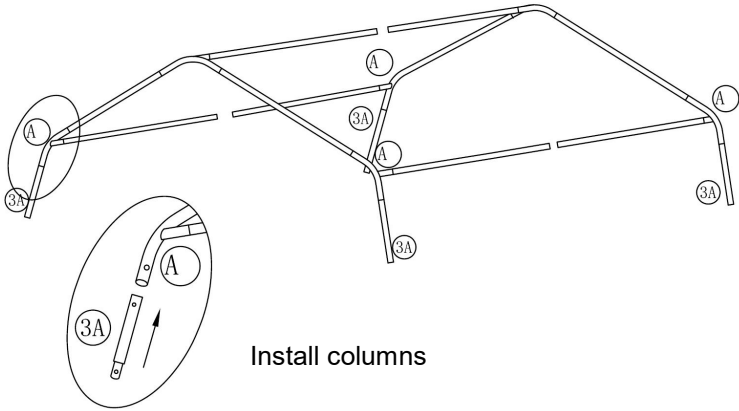


Top slope overlooking plan

2

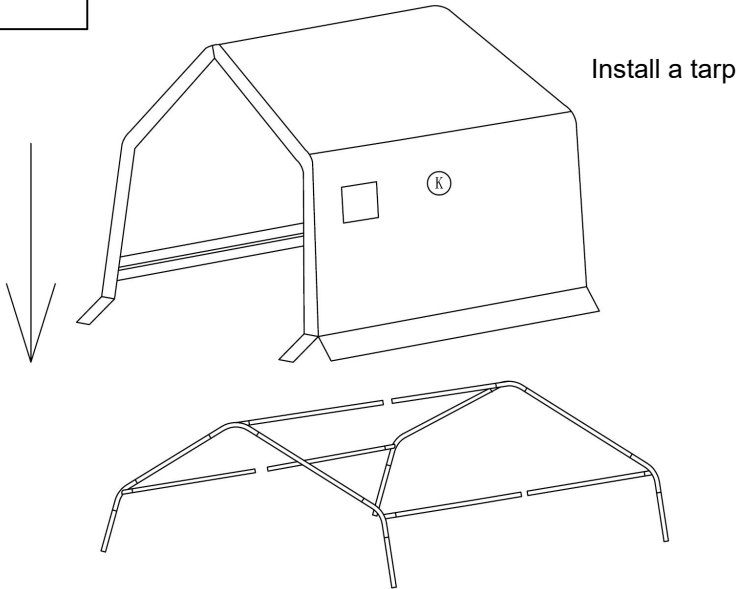


3



Install columns

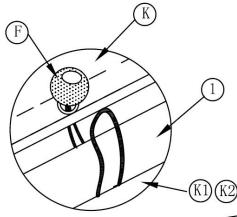
4



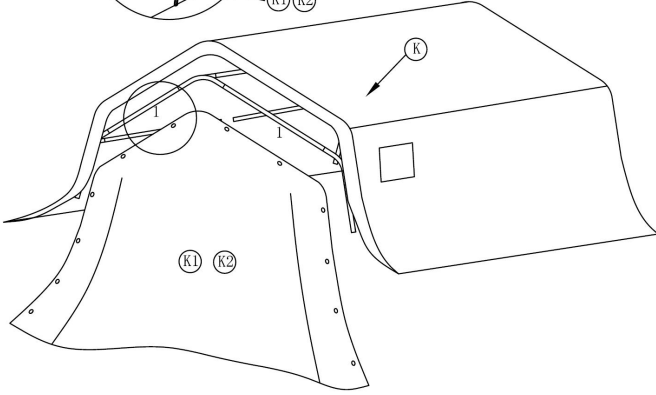
Install a tarp

E

5

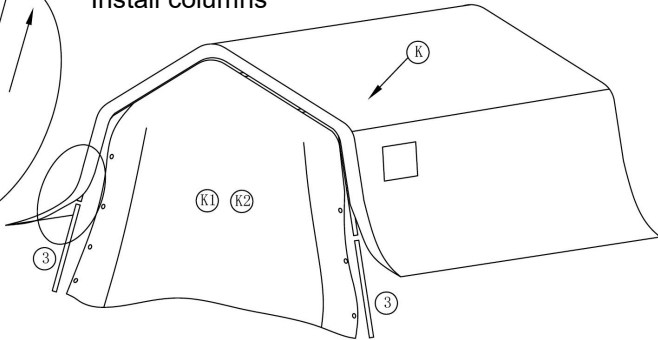
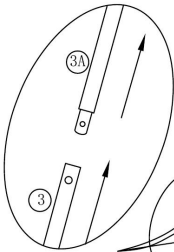


Secure the tarp with elastic rope



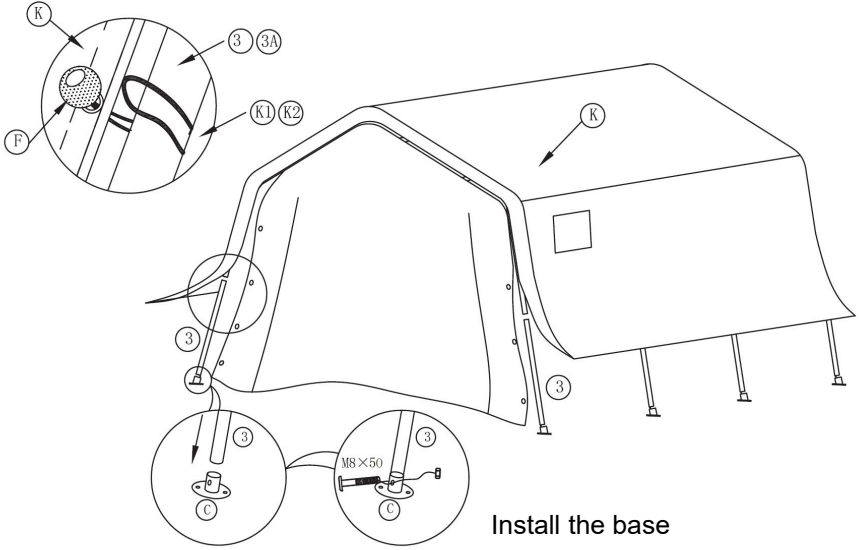
6

Install columns

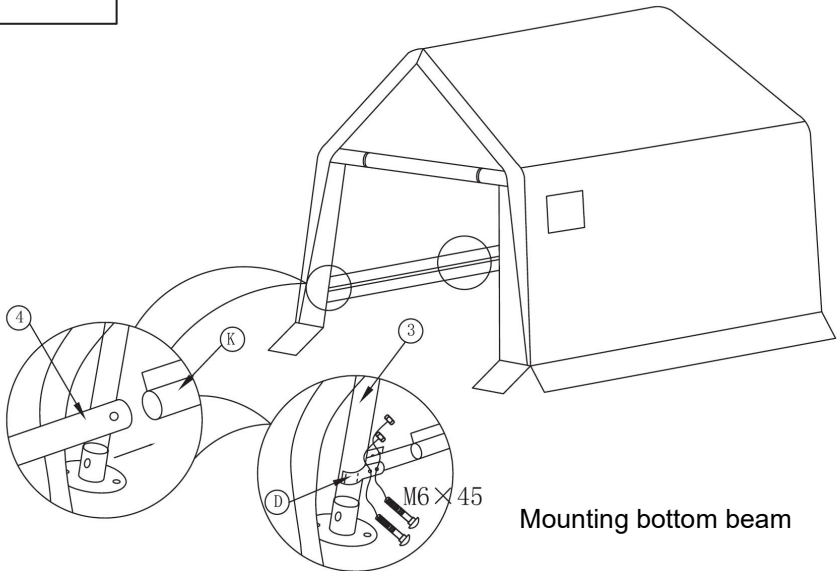


7

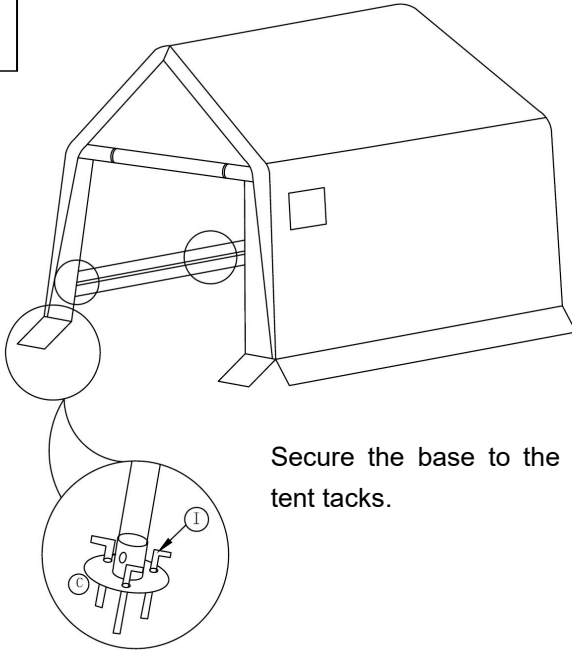
Secure the tarp with elastic rope



8

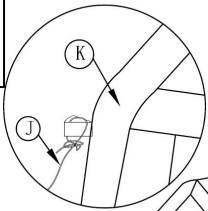


9

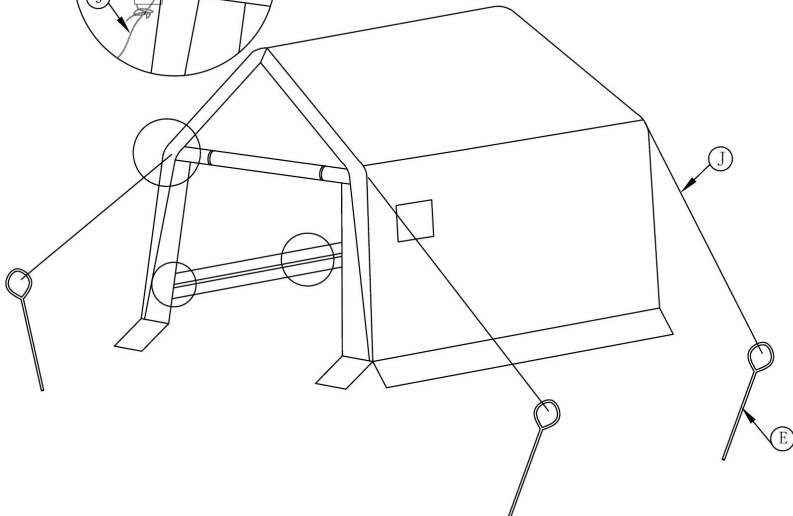


Secure the base to the ground with tent tacks.

10



Secure the perimeter with windproof drawstrings and secure the product to the ground.



Cleaning and Maintenance

1. If there is snow or ice on the top of the instant garage, please clear it in time.
2. It is recommended to clean the surface of the instant garage regularly with mild soap and water.

VEVOR STORE INC

Address: 9448 RINCHMOND PL #E RANCHO CUCAMONGA, California, 91730
United States of America

Made in China

VEVOR[®]

TOUGH TOOLS, HALF PRICE

Technical Support and E-Warranty Certificate

www.vevor.com/support