

VEVOR[®]

TOUGH TOOLS, HALF PRICE

Technical Support and E-Warranty Certificate

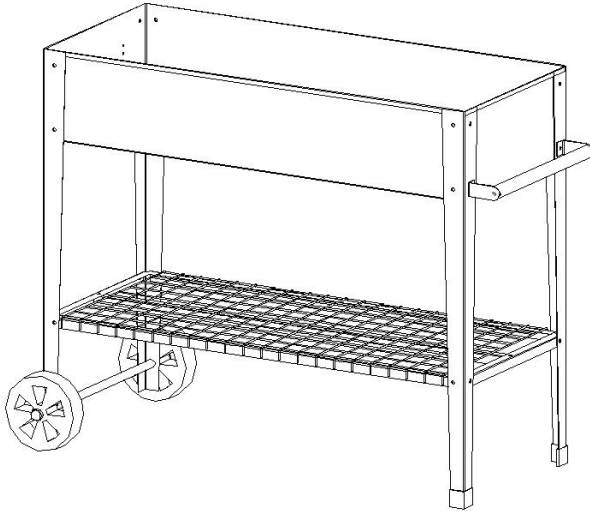
www.vevor.com/support

RAISED GARDEN BED MODEL:GM51077

We continue to be committed to provide you tools with competitive price. "Save Half", "Half Price" or any other similar expressions used by us only represents an estimate of savings you might benefit from buying certain tools with us compared to the major top brands and does not necessarily mean to cover all categories of tools offered by us. You are kindly reminded to verify carefully when you are placing an order with us if you are actually saving half in comparison with the top major brands.

VEVOR[®] RAISED GARDEN BED

MODEL:GM51077



NEED HELP? CONTACT US!

Have product questions? Need technical support? Please feel free to contact us:

Technical Support and E-Warranty Certificate
www.vevor.com/support

This is the original instruction, please read all manual instructions carefully before operating. VEVOR reserves a clear interpretation of our user manual. The appearance of the product shall be subject to the product you received. Please forgive us that we won't inform you again if there are any technology or software updates on our product.




NOTES

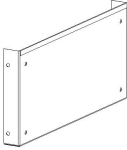
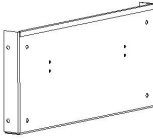
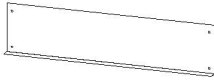

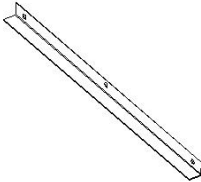
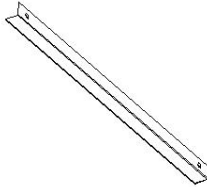
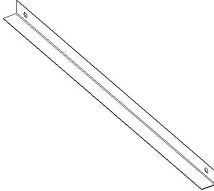

1. The work may have burrs that injure the hands, please wear gloves before installation.
2. Check whether the parts are complete before installation.

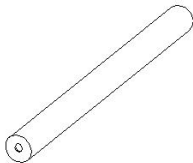

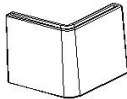
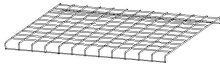




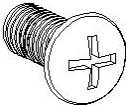
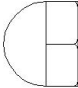
MODEL AND PARAMETERS

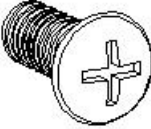
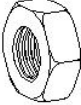


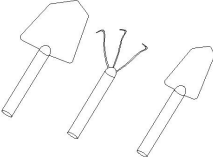
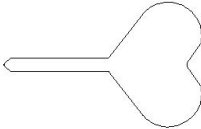
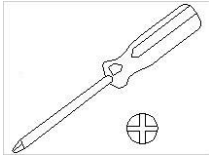
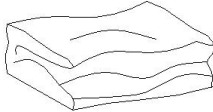

Model	GM51077
Contour Feature	Elevated Type
Material	Steel(0.8mm+1.5mm)
Color	Black
Product Size	L108xW49.5xH80cm
Bottom floor capacity	45kg

ASSEMBLY

PART	No.	NAME	QTY
	D253	Supporting foot	2
	D254	Supporting foot(wheel)	1
	D255	Supporting foot(wheel)	1

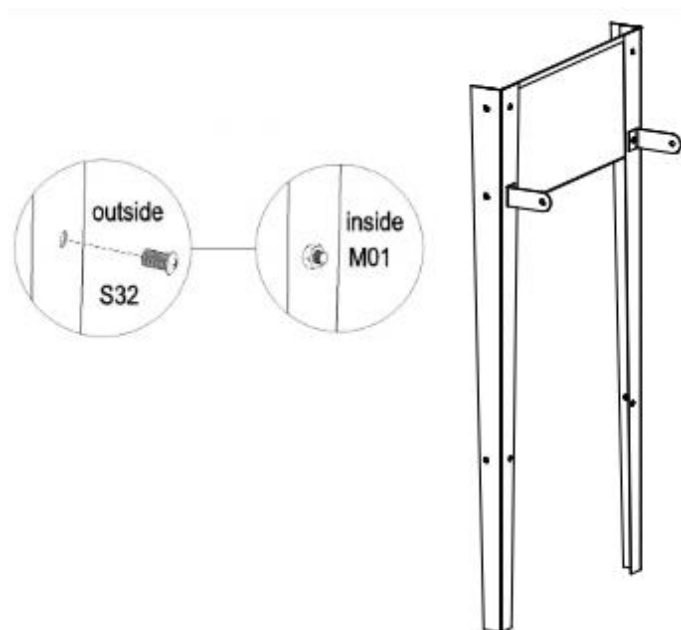
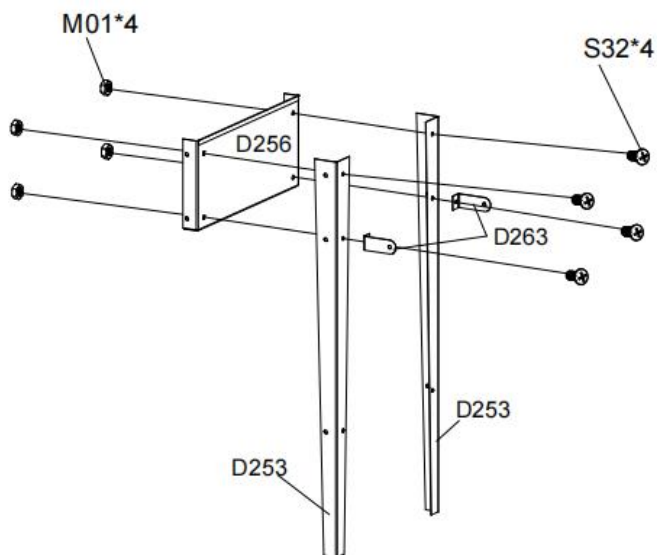
	D256	Side plate	1
	D257	Side plate	1
	D258	Long coaming	2
	D259	Inner bottom plate	1
	D260	Long connector	2
	D261	Intermediate connector	1
	D262	Short connector	2
	D263	Push-rod mounting piece	2

	D264	Hand putter	1
	H123	Wheel	2
	J116	Plastic foot mat	2
	D66	Supporting network	1
	A65	Wheel shaft	1
	H36	Hook	2
	S32	Bolt(M6x10mm)	40
	M01	Nut(M6)	40
	S22	Bolt(M8x20mm)	2
	M10	Nut(M13)	2

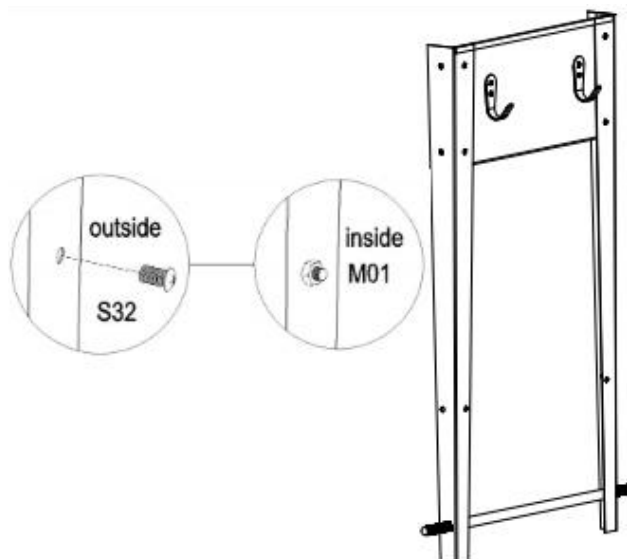
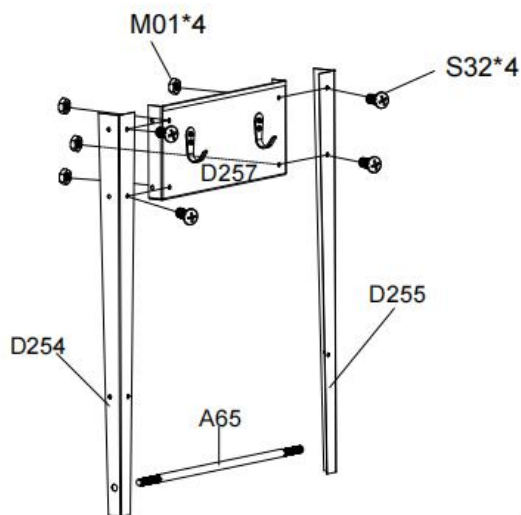
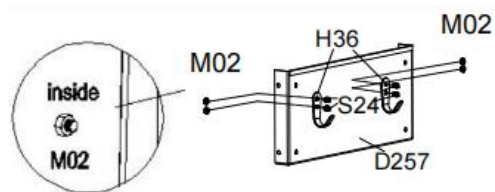
	S24	Bolt(M4x10mm)	4
	M02	Nut(M4)	4
	H115	Spanner	1
	H116	Gloves	1
	H117	Planting tools	1 each
	H118	Planting labels	20
	H121	Cross screwdriver	1
	H122	Portable planting bag	1
	/	User manual	1

Assemble the parts as shown below:

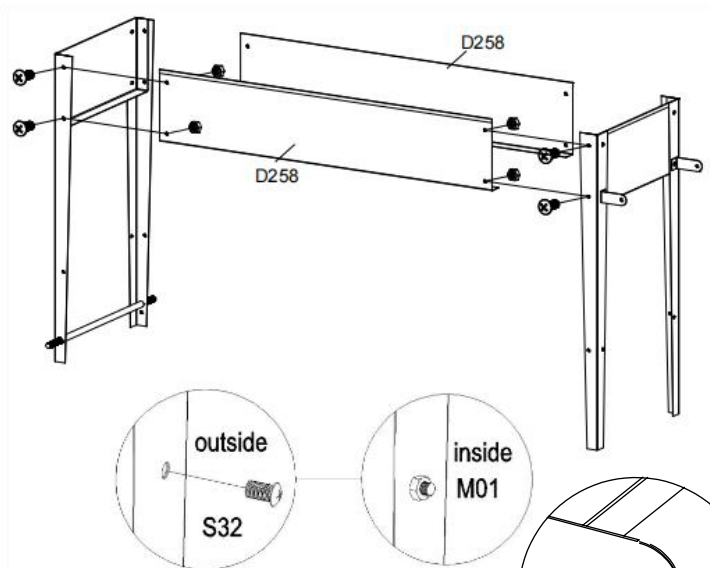
Step1: Install the foot, side plate, and push rod mounting pieces.



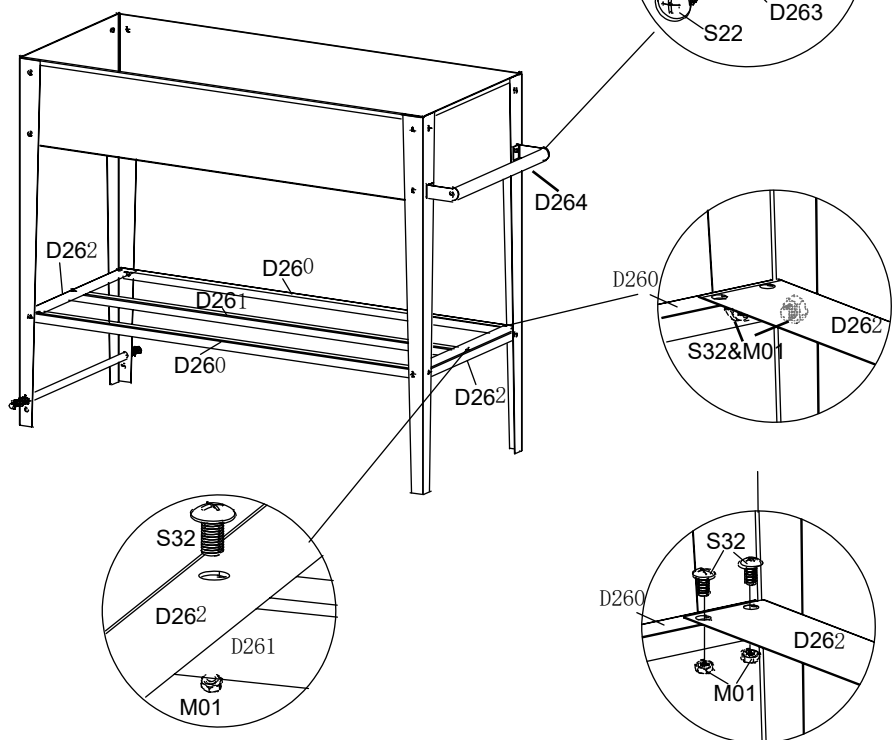
Step2: Install the foot, hook, side plate, and axle of the other end.



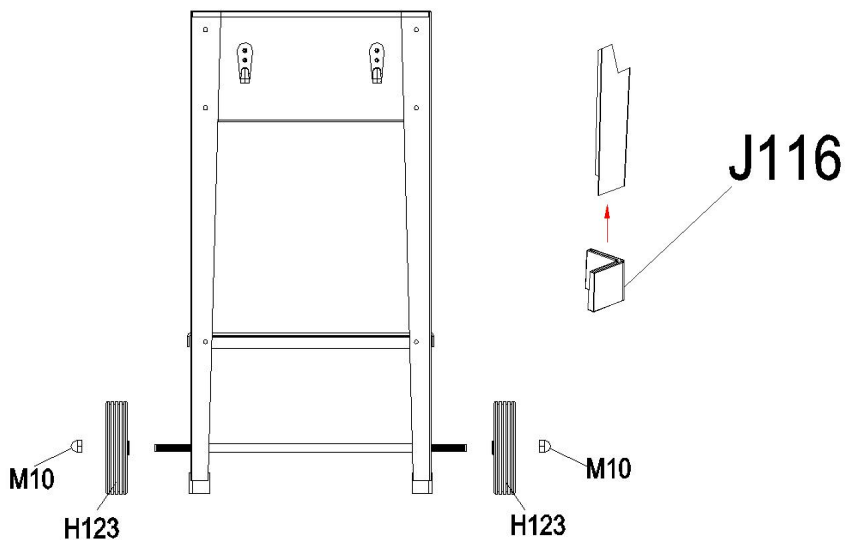
Step3: Install long side panels.



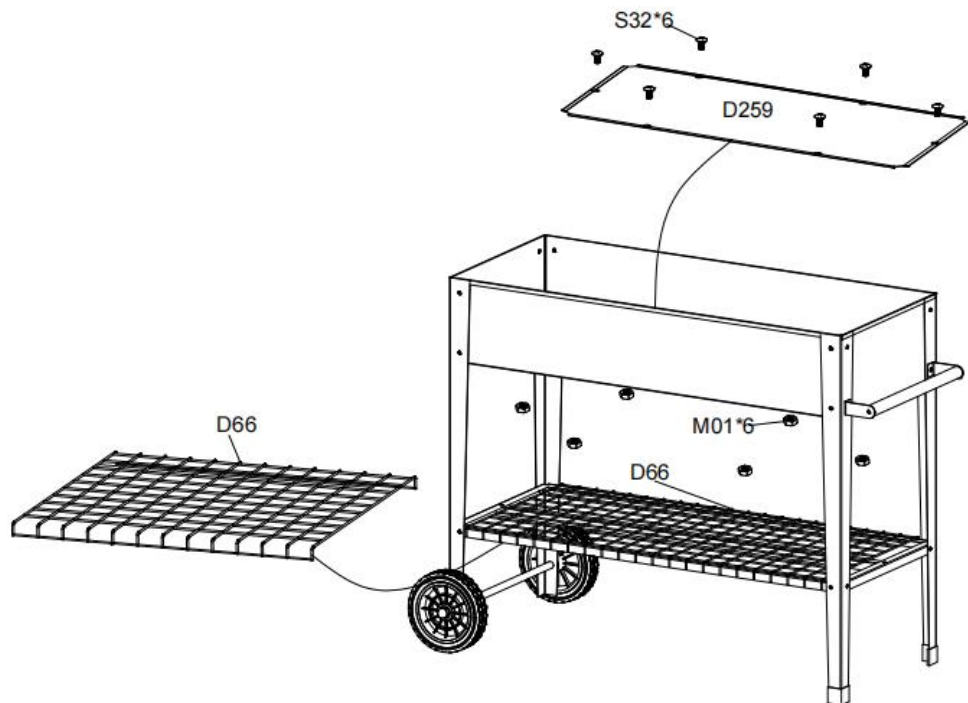
Step4: Install the push rod and bottom frame.



Step5: Install wheels and plastic foot pads.



Step6: Put the inner bottom plate into the frame, and put the supporting net at the bottom.



Manufacturer: Shanghaimuxinmuyeyouxiangongsi

Address: Shuangchenglu 803nong11hao1602A-1609shi, baoshanqu, shanghai 200000 CN.

Imported to AUS: SIHAO PTY LTD, 1 ROKEVA STREETEASTWOOD NSW 2122 Australia

Imported to USA: Sanven Technology Ltd., Suite 250, 9166 Anaheim Place, Rancho Cucamonga, CA 91730



**E-CrossStu GmbH
Mainzer Landstr.69, 60329 Frankfurt am Main.**



**YH CONSULTING LIMITED.
C/O YH Consulting Limited Office 147, Centurion House,
London Road, Staines-upon-Thames, Surrey, TW18 4AX**

VEVOR[®]

TOUGH TOOLS, HALF PRICE

Technical Support and E-Warranty Certificate

www.vevor.com/support