

3x2X2M Greenhouse

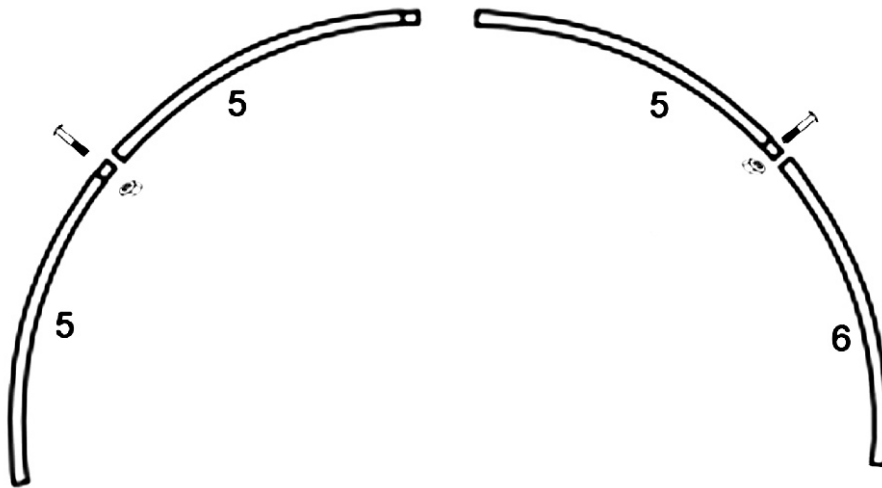


Please carefully follow assembly instruction.
Suggested 2-4 person to construction.

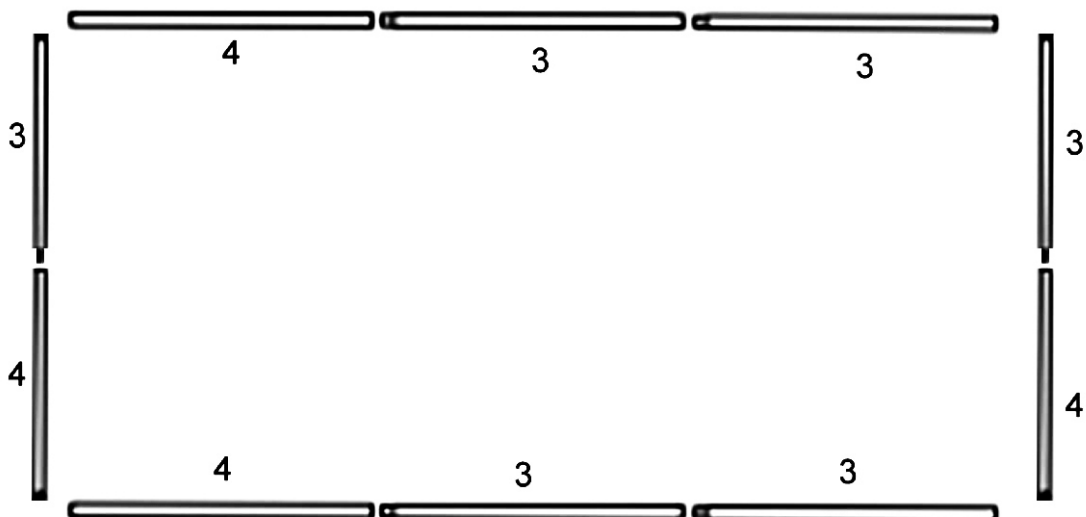
3X2X2 ASSEMBLY INSTRUCTIONS

NO.	1	2	3	4	5	6	7	7A	8	9	10	11	12	13	14	15	16
	4PCS	4PCS	12PCS	7PCS	12PCS	4PCS	2PCS	2PCS	24PCS	12PCS	36PCS	1PC	1PC	4PCS	4PCS	1PC	10PCS

Step 1 mainly struction



Assemble for each 4 sets No.5+No.5 together, make them to one part firstly, use the shorter bolts, put the curve tube on the flat ground, make both tubes in horizontal then must tighten the nuts done. And assemble for 4 sets No.5+No.6 in same way.

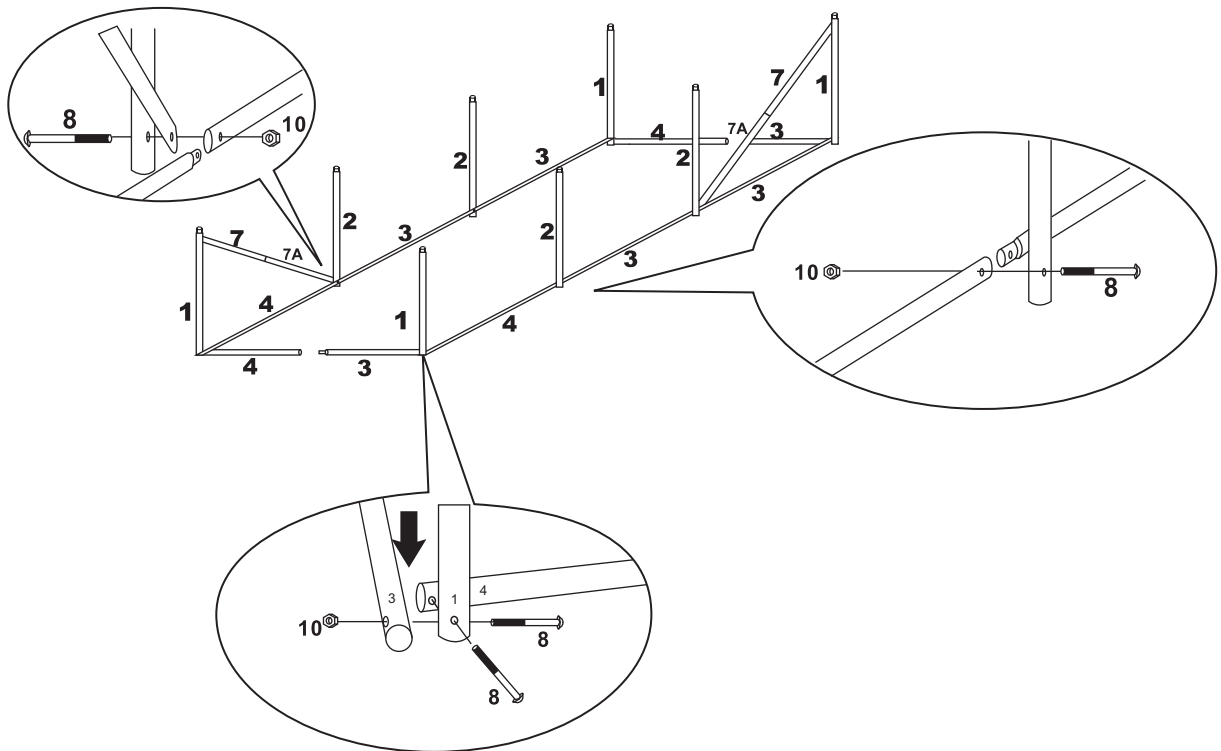


Assemble for 2 sets floor tubes No3+No4 use the shorter bolts, and the horizontal frame No4+No3+No3 together



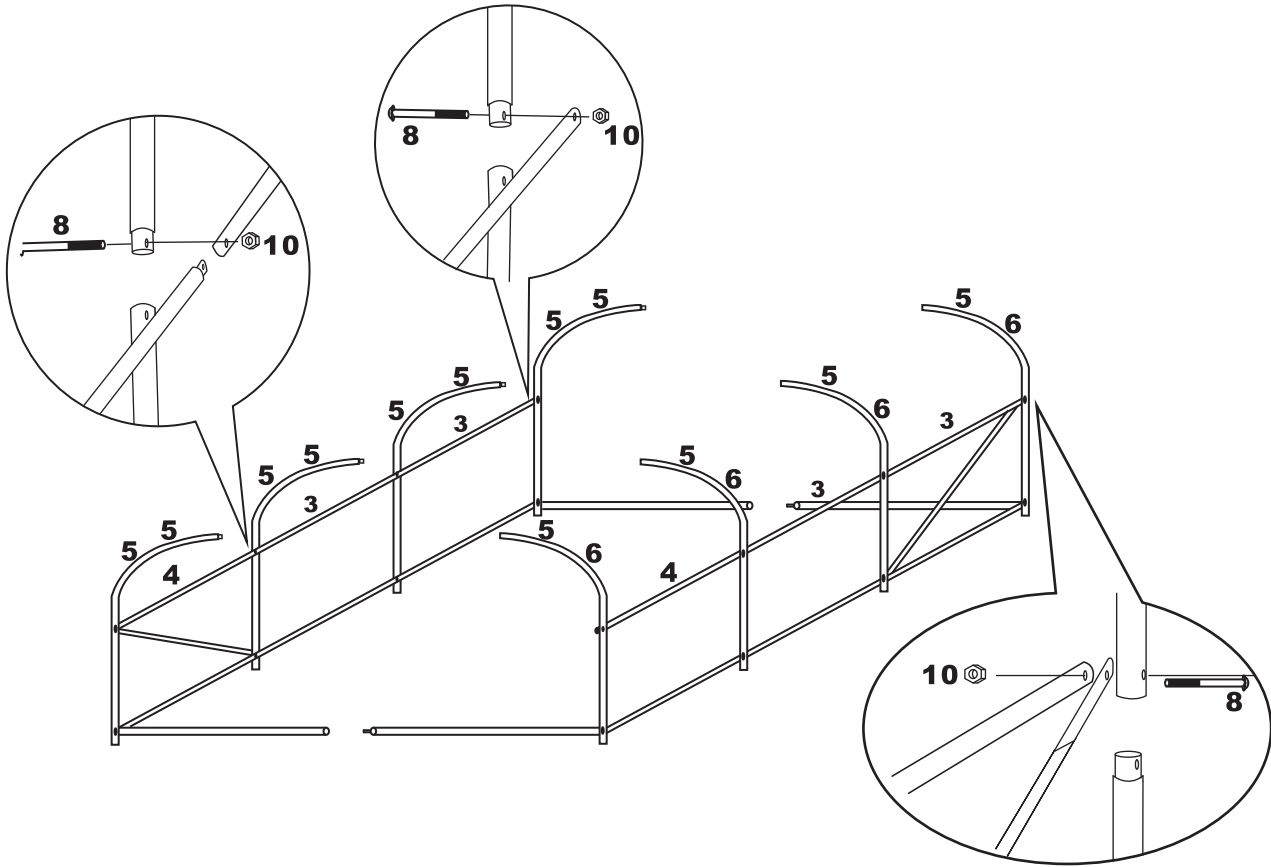
Assemble for 2 sets support diagonal tubes No7 + No7A use the shorter bolts

Step 2



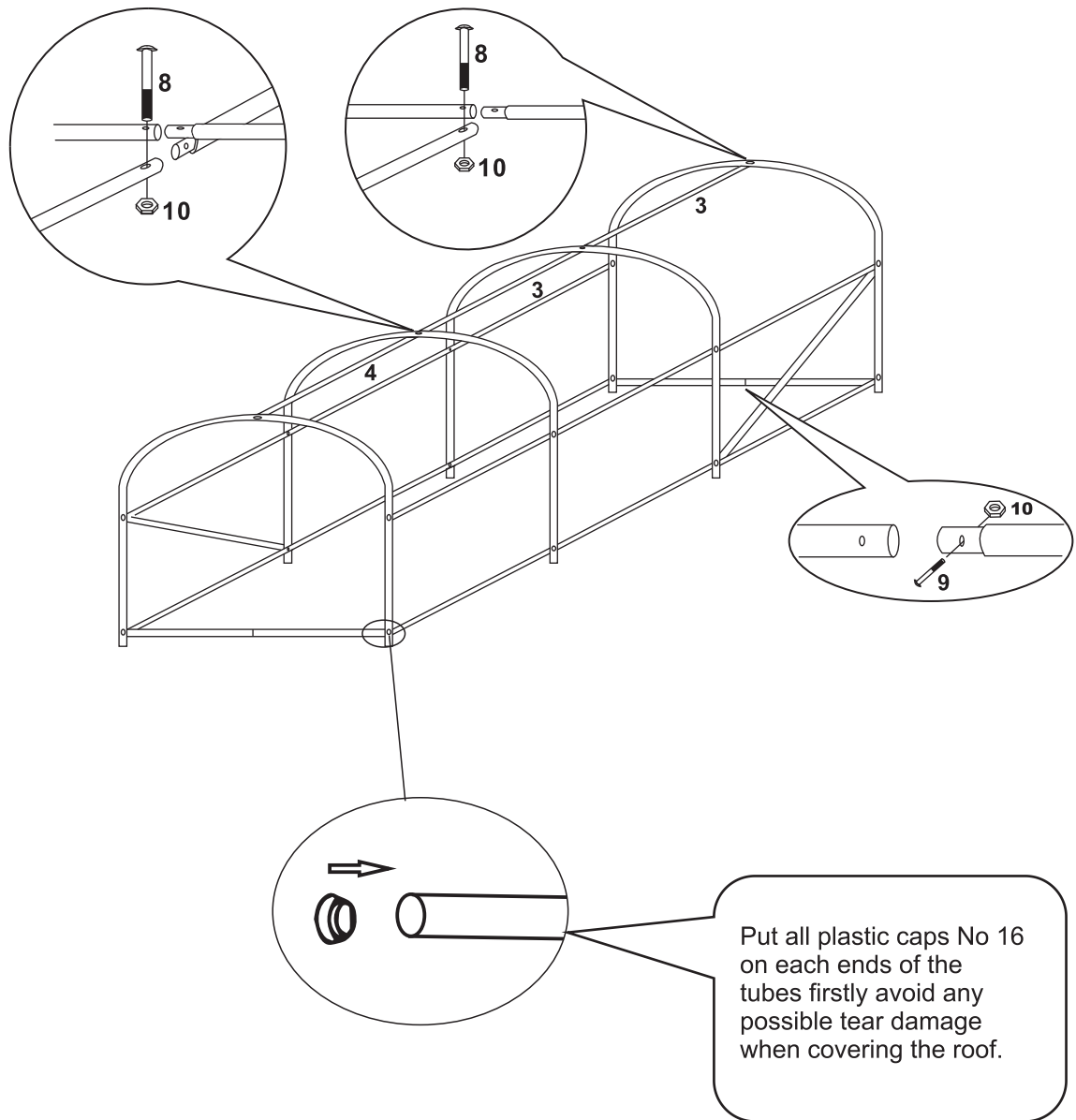
Loosely assemble complete frame, before tightening all bolts in final position.

Step3



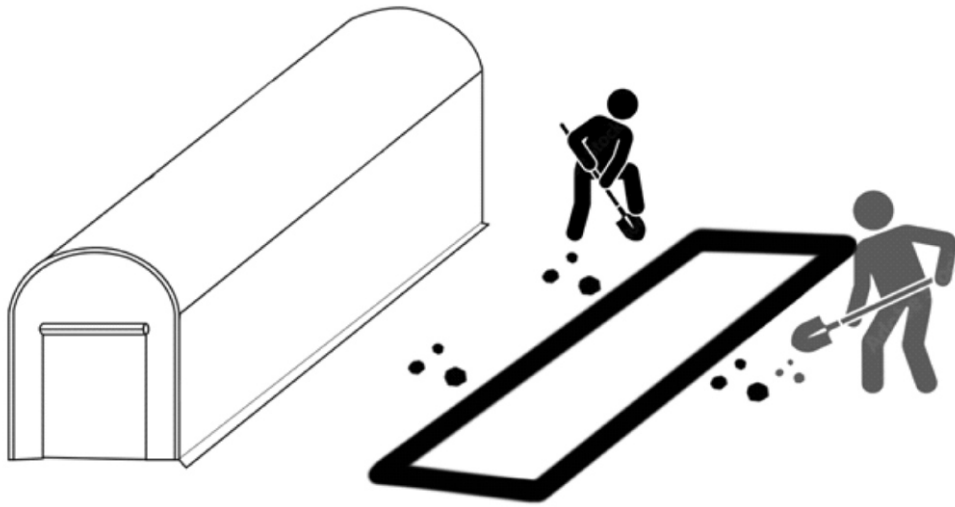
Loosely assemble complete frame, before tightening all bolts in final position.

Step4



Loosely assemble completed frame before tightening all bolts in final position.

Step 5

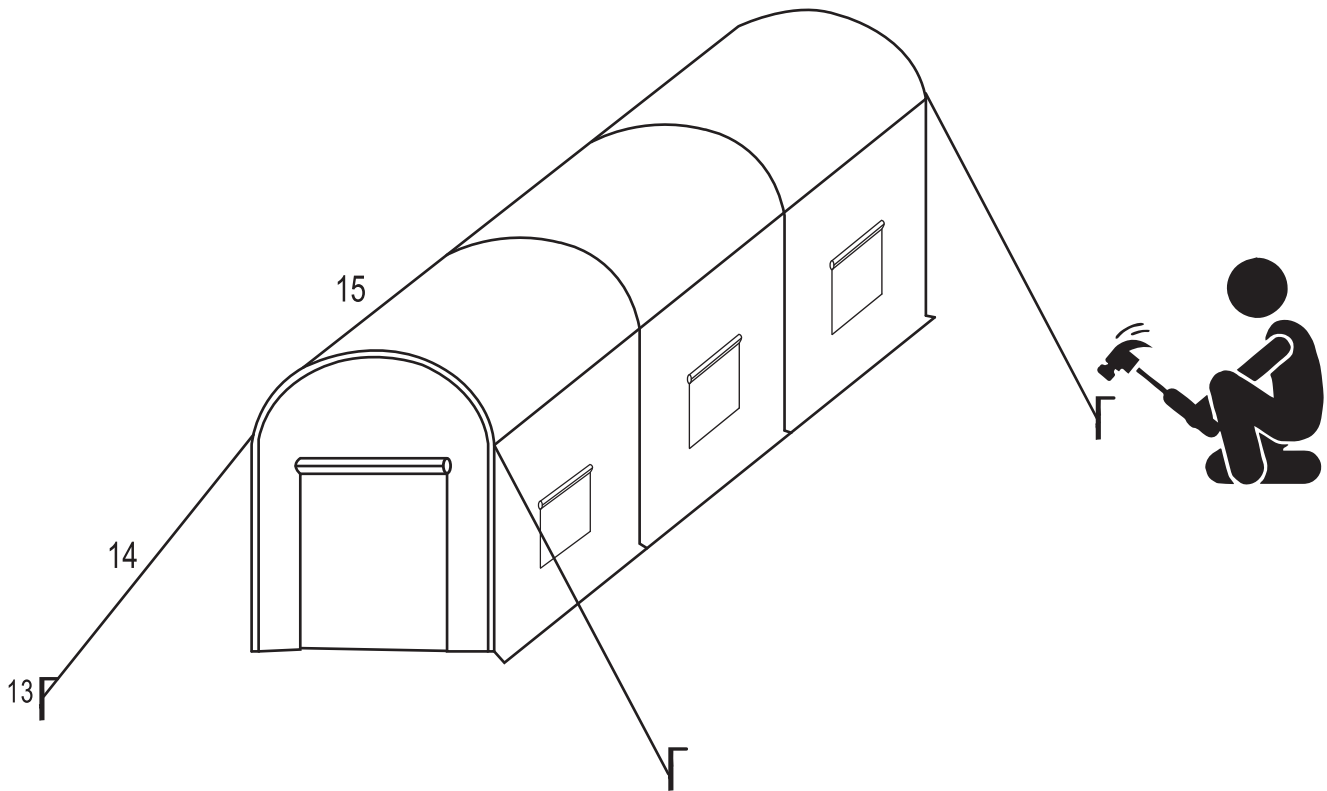


For maximum stability of your polytunnel, we recommend digging a 20cm width trench around the base of the polytunnel and back



Put the frame inside the trench, filling with the soil

Step 6



Tied the string in the back of the cover to the frame.

Use the ropes and stakes for four corners of the greenhouse, to reinforce the stability of it.

WARNING

Covering the roof carefully, makes all places in right position. as possible as not make the frame structure of the greenhouse out of the shape.

DO NOT USE IN BAD WEATHER CONDITIONS, such as rainstorm, hailstone, heavy snow and heavy wind.