

VEVOR[®]

**MESH GARDEN CART
CJ-023
USER MANUAL**

CJ-023



NEED HELP? CONTACT US!

Have product questions? Need technical support? Please feel free to contact us:



CustomerService@vevor.com

This is the original instruction. Please read all manual instructions carefully before operating. VEVOR reserves clear interpretation of our user manual. The appearance of the product shall be subject to the product you received. Please forgive us that we won't inform you again if there is any technology or software updates on our product.

SAFETY INSTRUCTIONS

WARNING:

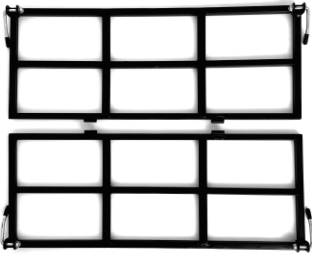
1. Please check and confirm that the cart is intact and the tire pressure is normal before each use.
2. It is forbidden to carry people at any condition.
3. It is forbidden to load articles on uneven and hilly terrains.
4. Overload is strictly prohibited.
5. Don't move too fast when passing potholes areas.

CAUTION: Carefully read instructions and procedures for safe operations.

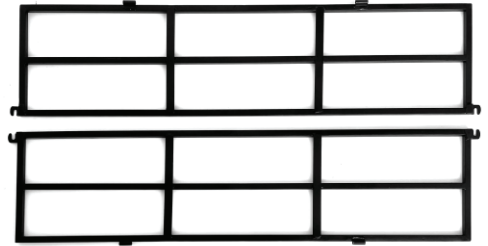
MODEL AND PARAMETERS

Model	CJ-023
Maximum Static Load	1200lbs
Tire Pressure	25-30psi
Frame Size	(1130±10) x (753±10) mm
Wheels Specification(in)	12.5*4-6 (Dia. * Width-Hub Size)

COMPONENTS



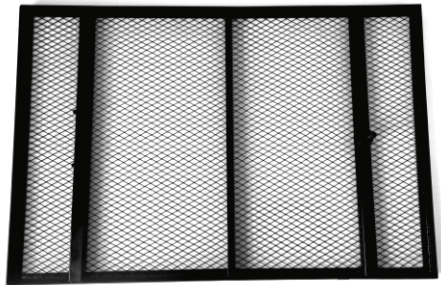
A. end sections(×2)



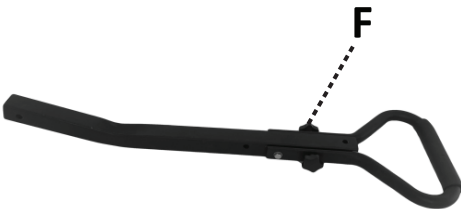
B. side sections(×2)



C. pneumatic wheels(×4)



D. base(×1)



E. handle(×1)



F. five star screw and nut



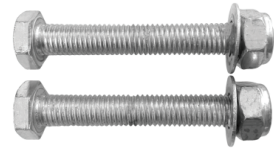
G. handle bracket(×1)



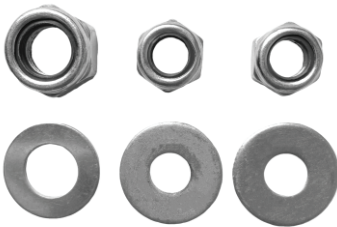
H. front axle(×1)



I. rear axle(×1)



J. bolts/washers/nuts(×2)



K. large nylon nuts/washers(×3)



L. bolt nut/washer(×1)



M. R-pins(×8)



O. section link pieces(×4)



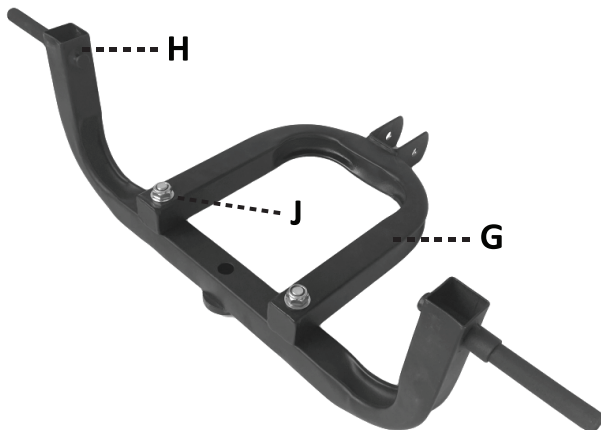
N. split pins(×4)



P. wheel washers(×4)

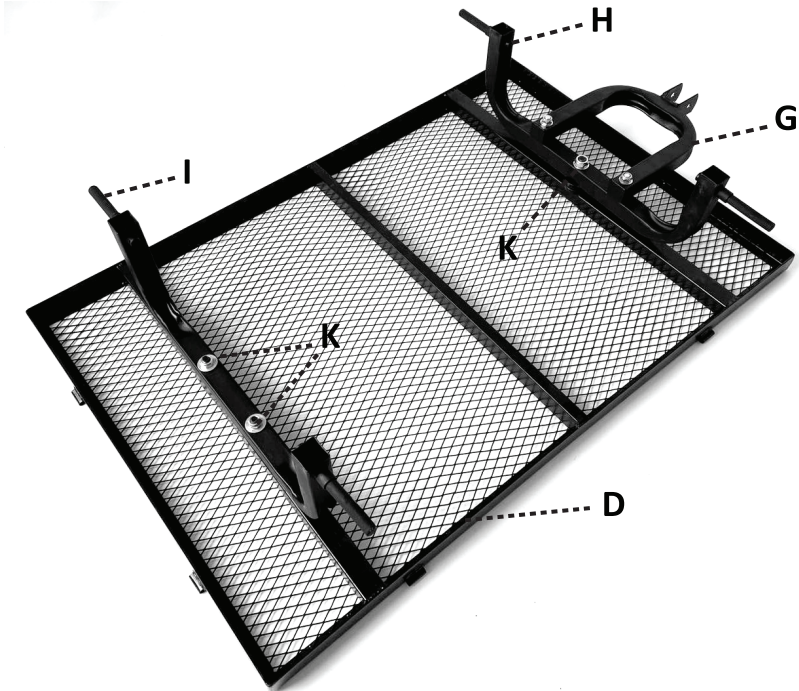
ASSEMBLY

Step 1: Fix the handle bracket(G) to the front axle(H), using the 2 of bolts/washers/ nuts(J).



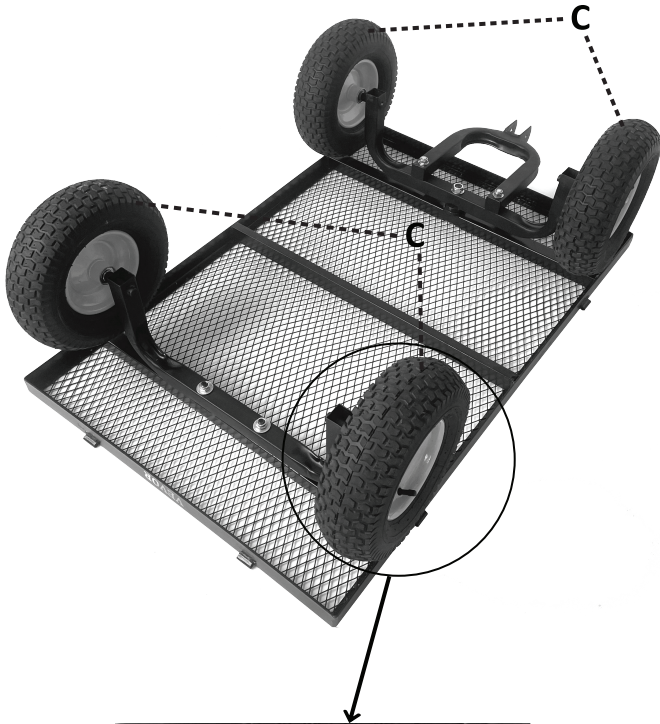
Step 2: Take the base(D) and turn it upside down, so that the protruding bolts are facing upwards.

Place both axles(H/I) on the bolts, followed by tight axles on the place, using the 2 large nylon nuts/washers(K) as shown.

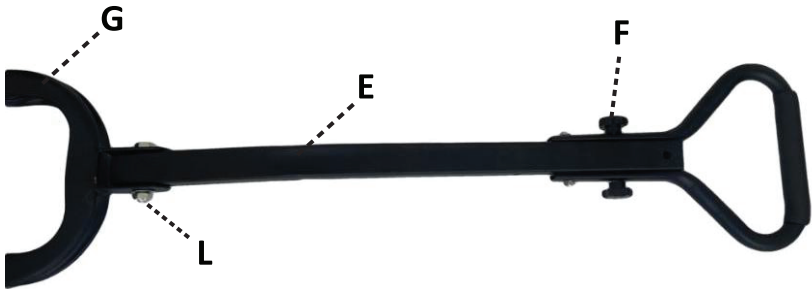
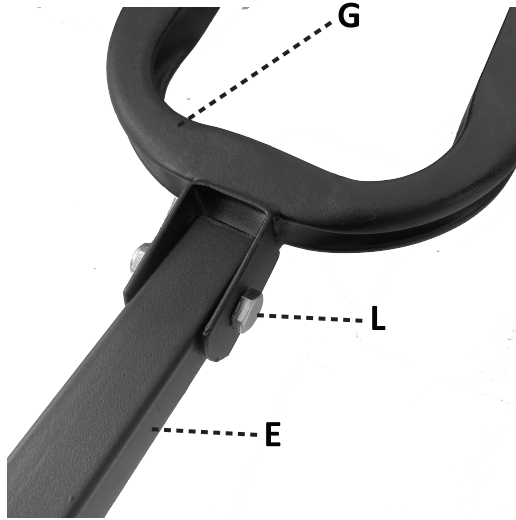


Step 3: Attach the 4 pneumatic wheels(C) to each end of the assembled base, followed by wheel washer(P).

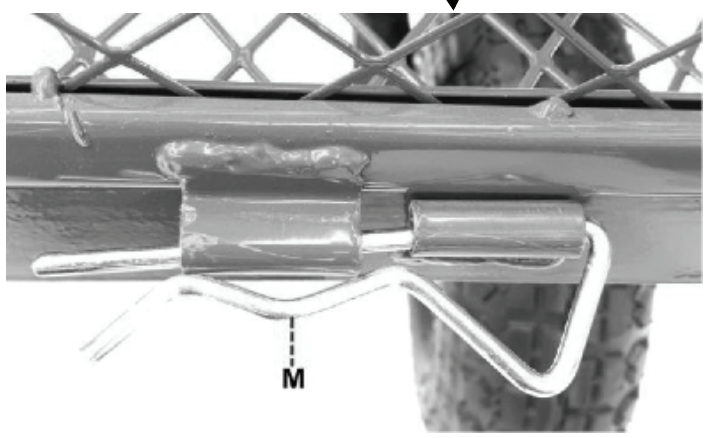
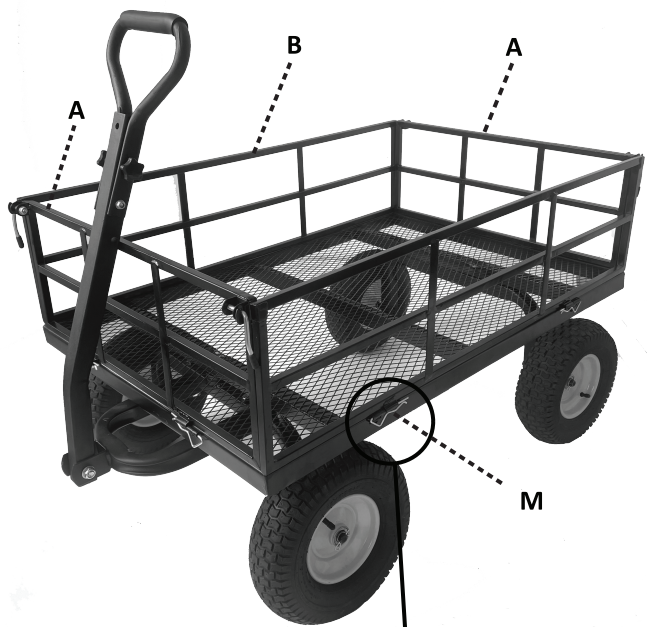
Thread split pin(N) through each of the holes and bending to secure them into place.



Step 4: Remove the bolt/washer/nut(L(f))from the plastic block(F).
Aligning up the handle(E) and the plastic block(L)(F) to the holes of the
handle bracket(G).



Step 5: Put the assembled cart onto its wheels, then take the side sections(B)and the end sections(A), securing them into place using the R-pins(M).



NOTE: Ensure the brackets are on the outside of the cart for keeping the sides and ends sitting flush.

NOTE: Lift the locking handles to align with the slots on the side panels. Lower the locking handles to secure.

Step 6: After releasing the trolley handle, it can also be used for traction and motor vehicle connection, only rotating the trolley handle upward and fix the handle on the upper hole with the five-star screen and nut.



Manufacturer: Qingdao Prosperity Handtruck Co.,Ltd

Add: No. 2938, Fenghuangshan Road, Huangdao District, Qingdao, Shandong Province

Made in China

VEVOR[®]

E-mail: CustomerService@vevor.com