

# **VEVOR<sup>®</sup>**

## **TOUGH TOOLS, HALF PRICE**

Technical Support and E-Warranty Certificate [www.vevor.com/support](http://www.vevor.com/support)

## **UTILITY CARTS**

### **USER MANUAL**

**MODEL:UD253-3**

We continue to be committed to provide you tools with competitive price.

"Save Half", "Half Price" or any other similar expressions used by us only represents an estimate of savings you might benefit from buying certain tools with us compared to the major top brands and does not necessarily mean to cover all categories of tools offered by us. You are kindly reminded to verify carefully when you are placing an order with us if you are actually saving half in comparison with the top major brands.

# VEVOR<sup>®</sup>

TOUGH TOOLS, HALF PRICE

UTILITY CARTS

MODEL:UD253-3



## NEED HELP? CONTACT US!

Have product questions? Need technical support? Please feel free to contact us:

 [CustomerService@vevor.com](mailto:CustomerService@vevor.com)

This is the original instruction, please read all manual instructions carefully before operating. VEVOR reserves a clear interpretation of our user manual. The appearance of the product shall be subject to the product you received. Please forgive us that we won't inform you again if there are any technology or software updates on our product.

## SAFETY INSTRUCTION AND PRECAUTIONS



### **WARNING:**

Read this material before using this product. Failure to do so can result in serious injury. SAVE THIS MANUAL

### **Assembly precautions**

1. Assemble only according to these instructions. Improper assembly can create hazards.
2. Wear ANSI-approved safety goggles and heavy-duty work gloves during assembly.
3. Keep assembly area clean and well lit.
4. Keep bystanders out of the area during assembly.
5. Do not assemble when tired or when under the influence of alcohol, drugs or medication.
6. Weight capacity and other product capabilities apply to properly and completely assembled product only.
7. Assemble on a flat, level, hard and smooth surface capable of safely supporting a fully loaded service cart.

### **Use precautions**

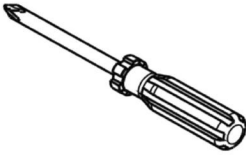
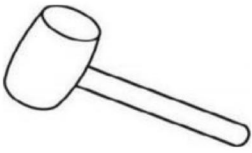
#### **TO PREVENT SERIOUS INJURY AND DEATH FROM TIPPING:**

1. DO NOT SIT, STAND OR CLIMB ON THIS ITEM.
2. This product is not a toy nor a toy chest. Do not allow children to play with or near this item.
3. Do not exceed weight capacities, evenly distributed from bottom up. Be aware of dynamic loading! Sudden load movement may briefly create excess load causing product failure. Do not exceed capacity of bench or shelf supporting Top Chest.
4. Use only on a flat, level, hard and smooth surface capable of safely supporting a fully loaded Chest.
5. Do not lift while loaded.
6. To prevent tipping, push/pull using supplied handle only.

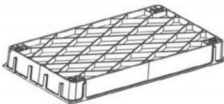

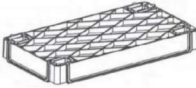
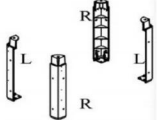


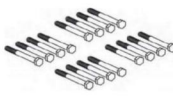
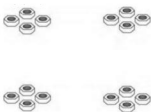


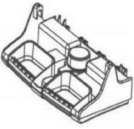

7. Use as intended only.

8. Inspect before every use; do not use if parts are loose or damaged.

## TOOL REQUIRED FOR INSTALLATION

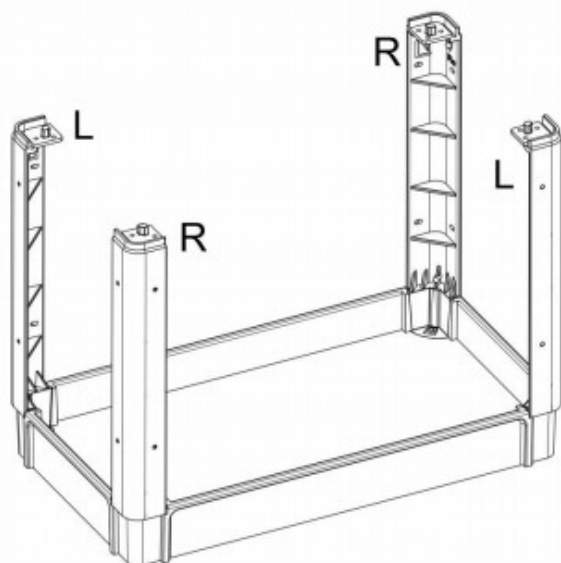
Phillips Screwdriver	Rubber mallet	Note: The phillips screwdriver and rubber mallet tools not included with this product
		

## PARTS LIST

1-TOP Tray	2-Middle Tray	3-Bottom Tray	4-Beams
			
5-SwivelCaster	6-FixedCaster	7-Bolts	8-Nuts
			
9-M6Screw	10-SpringWasher	11-Handletray	12-Towelbar
			

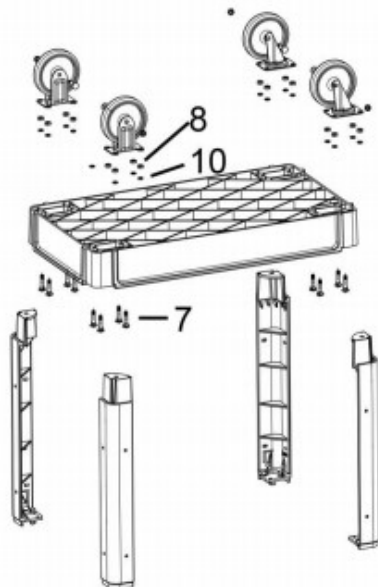
## ASSEMBLY

1.



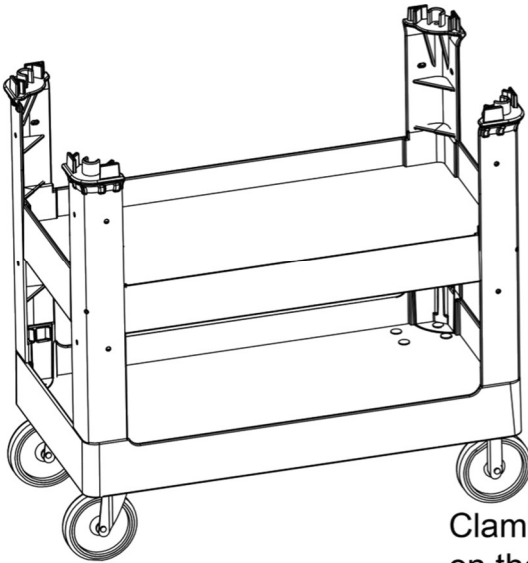
Insert Beam(4) to  
the Bottom Shelf(3)  
\* **R to R, L to L**

2.



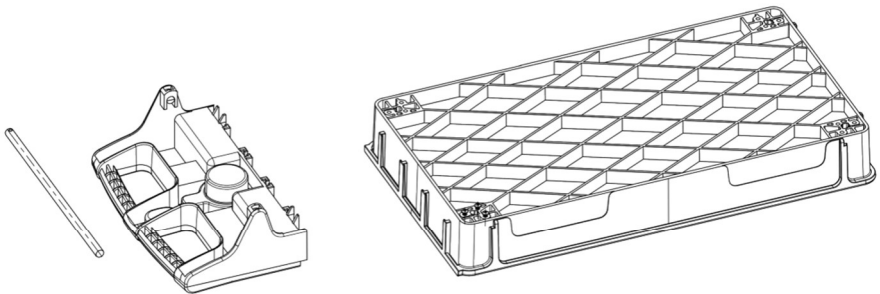
Put 4 wheels(5) & (6)  
on the Bottom Shelf  
with Blot(7),  
Washer(10), Nut(8).

3.



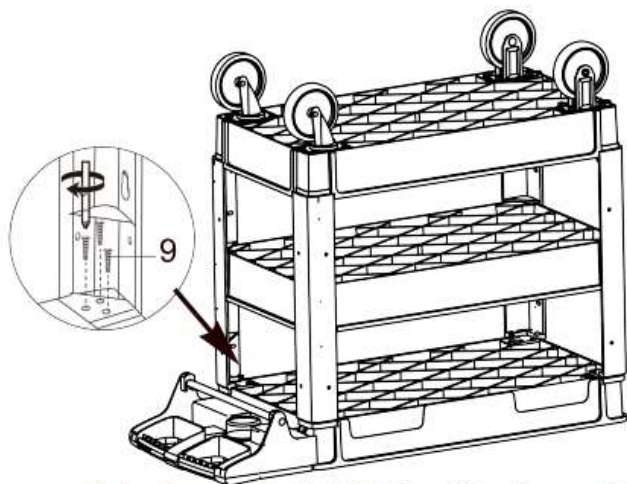
Clamb the Middle Tray (2)  
on the Beams (4)

4.



Insert Handle Tray(11) to the TOP Shelf(1),  
Knock & reinforce with Rubber Mallet.  
Put the Towel Bar (12) in to Handle Tray.

5.



Fix the Beams (4) with TOP Tray (1) by Screws (9).

**Made In China**

**VEVOR<sup>®</sup>**

**TOUGH TOOLS, HALF PRICE**

**Technical Support and E-Warranty Certificate**

**[www.vevor.com/support](http://www.vevor.com/support)**