

VEVOR[®]

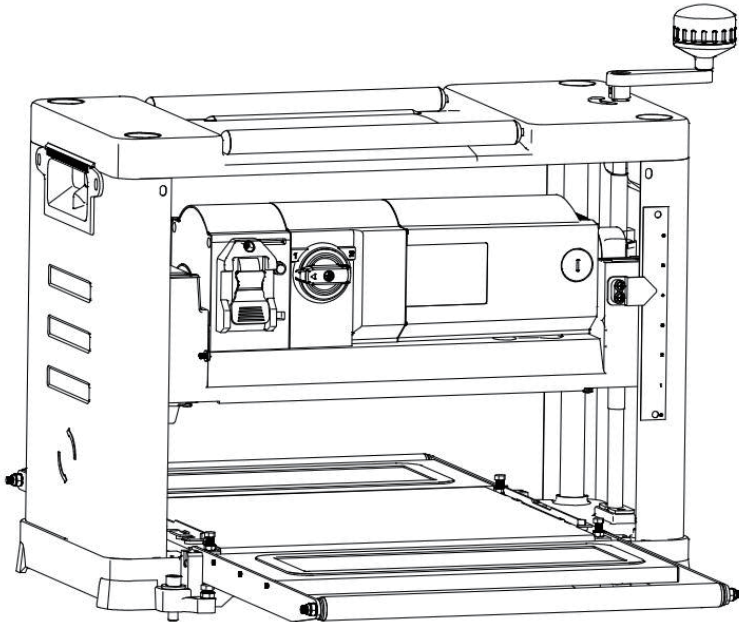
Thicknesser

M1B-LS-3305

USER MANUAL

VEVOR®

Thicknesser



NEED HELP? CONTACT US!

Have product questions? Need technical support? Please feel free to contact us:

✉ CustomerService@vevor.com

This is the original instruction, please read all manual instructions carefully before operating. VEVOR reserves clear interpretation of our user manual. The appearance of the product shall be subject to the product you received. Please forgive us that we won't inform you again if there is any technology or software updates on our product.

SAFETY INSTRUCTIONS

IMPORTANT: carefully read the instructions in this manual as well as the general safety instructions before using this tool.



Before using the tool, read the instruction book carefully.



Class II appliance, reinforced insulation or double insulation

Keep the packaging material out of the reach of children -- risk of suffocation.

WARNING ! Always take basic safety precautions when using power tools to safeguard against the risk of fire, electric shock and /or personal injury.

- 1. For safe operation.** We recommend that you take appropriate measures for the protection of hearing if the sound pressure of 85dB (A) is exceeded
- 2. Keep the work area clean.** Cluttered work areas increase the risk of accidents and injuries.
- 3. Keep the workplace environment safe.** Do not use power tools in damp or wet areas. Do not expose power tools to rain. Make sure the work area is well lit. Do not use power tools in explosive environments, such as in the vicinity of flammable liquids, gases or dust.
- 4. Protect against the risk of electric shock.** Avoid body contact with earthed surfaces, Such as pipes, radiators, cookers and refrigerators.
- 5. Keep children at a safe distance.** Do not allow onlookers to touch the tool or the extension cord. Onlookers should be kept away from the work area.
- 6. Put away tools that are not being used .** When not in use, store the tool in a dry place out of the reach of children.
- 7. Do not force the tool .** The tool does the job better and safer when used at the rate for which it was designed.
- 8. Use the correct machine.** Do not force small machines or accessories to perform jobs that require a powerful machine. Use tools only for their intended purpose.
- 9. Wear suitable clothing.** Do not wear loose clothing or jewellery. they can be caught in moving parts. Non-slip shoes are recommended when working outdoors. Wear a hair net if you have long hair.
- 10. Wear safety glasses.** Wear a dust mask if the work generates dust.
- 11. Be careful with the cable.** Never carry the tool by the cable. Do not pull the cable to disconnect the plug from the socket. Keep the cable away from heat, oil and sharp edges.

12. Secure the workpiece. Secure the workpiece with stand. This is safer than using your hands and means you have both hands free to operate the tool.

13. Do not overreach. Always maintain a firm footing and good balance.

14. Maintain the tool in good care. Keep cutting tools sharp and clean for better, safer work. Follow the instructions for lubricating and for the replacement accessories. Check power cords regularly. If damaged, they must be replaced at an authorised service centre. Check extension cords at regular intervals and replace them if they are damaged. Keep the hands clean, dry and free from oil and grease.

15. Always unplug the power cord. when the tool is not being used, and before carrying out service work or changing accessories, such as knife blades/carbon brush/gears and so on.

16. Remove adjuster keys/spanners and other assembling tools. Remove adjuster keys/spanners and other assembling tools before starting the power tool.

17. Avoid accidental starting. Never carry a power tool with your finger on the switch when it is connected to the mains. Make sure the power switch is in the OFF position before plugging in the power cord.

18. If using the tool outdoors. only use an extension cord approved for outdoor use.

19. Stay alert . Always be careful when using the equipment. Use your common sense ,Do not use the tool if you are tired.

20. Connect dust extraction equipment . If dust extraction and dust collection equipment is provided. This should be connected and used correctly.

21. Check for damaged parts. If a guard or some other part has been damaged, check carefully before using the tool to ensure that it will operate correctly and as intended. Make sure that moving parts are properly adjusted and do not jam and that no parts are incorrectly fitted or damaged. Check for any other factors that could influence functionality. Guards or other parts that are damaged must be repaired or replaced by an authorised service centre. Unless otherwise specified in these instructions. If the power switch does not work, it must be replaced by an authorised service centre. Do not use the tool if it cannot be switched on and off using the power switch.

WARNING! The use of accessories or attachments other than those recommended in these operating instructions can result in personal injury. Repairs must only be carried out by qualified personnel. This power tool has been manufactured in compliance with current safety standards and requirements. Repair may only be carried out by qualified personnel using identical spare parts. Failure to carry out repairs correctly can result in the risk of personal injury/death or material damage.

NOTE: A temporary voltage drop can occur when starting the machine. Which could affect other equipment. If the main supply impedance Z_{max} is lower than 0.206ohms, this kind of interference is common. Contact your electricity supplier for more information.

IMPORTANT SAFETY INSTRUCTIONS

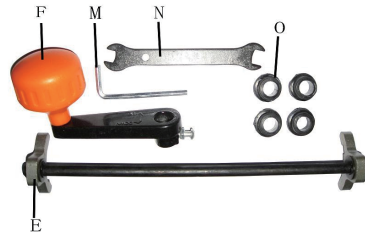
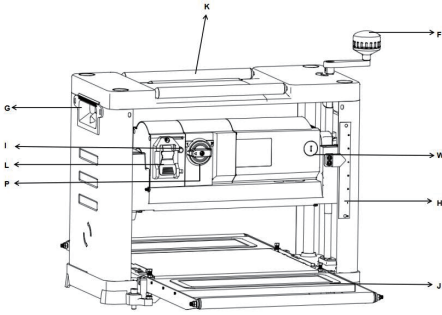
1. Wear safety glasses, Don't sent wood into outfeed side.
2. Before use, check that all screws connections are properly tightened.
3. Do not force the tool. Let the feed mechanism do the work. Never insert objects or body parts in the outfeed.
4. Check regularly that the rubber roller and iron roller are clean. If the rollers are contaminated the workpiece will not infeed correctly- risk of persona injury.
5. Do not machine workpieces with many knots or sprigs.
6. The operating position is in front of the machine. Stand by the side of the infeed table.
7. Remove any nails,screws and other metal objects from the workpiece before machining.
8. Check that the blades are correctly installed.
9. Handle the knife blades with care--risk of personal injury and/or damage to property.
10. Never start to planer until the blade shaft has reached full speed.
11. Never use blunt blades-risk of kickback.
12. Always replace or sharpen all blades at the same time. All blades must be of the same size and weight.
13. Never insert your fingers or other body parts in the chip outlet side--risk of personal injury-- DANGER.
14. Pls check the recoil claw is in the correct position.
15. If infeed wood not smooth,pls don't force the wood,check if machine have some problems.
16. Do not wear gloves to plane wood.
17. Do not plane wet wood, will cause the feed roller to slip and lead machine broken.
18. Do not plane hardness wood, will shorten the working life of the knife blades.
19. Do not plane the wood too long, the machine will be overloaded,infulence the wood planing surface effect.

TECHNICAL DATA

Model :	M1B-LS-3305 For US user	M1B-LS-3305 For European users
Specs:		
Rating(s):	110V~60Hz 2000W	230V~50Hz 2000W
First Feed Speed:	≥4.3m/min	≥4.3m/min
Second Feed Speed:	≥7.0m/min	≥7.0m/min
blade:	3pcs	3pcs
Max.planing width:	330mm	330mm
Planing depth:	0-3mm	0-3mm
Planing height:	6-160mm	6-160mm
G.W:	30kg	30kg
N.W:	28kg	28kg
Working table size:	330x290mm	330x290mm
Packing size:	570×360×505mm	570×360×505mm
Tested wood width is 150mm for feeding speed		

DESCRIPTION

1. The tool is designed for planing wooden planks and dry wood. It is forbidden to plane other materials. such as metals、 plastics、 branches、 tree trunks、 wet wood and very hard wood.
2. The tool is intended for household and professional use .
3. Pls use this machine under correct operation, if don't know how to use it, pls contact with factory.



E-Knife blade bit gauge

H-depth label

K-Roller bar

N-Open spanner

P-Speed control knob

Advised wear ear protection.

Advised wear safety glasses.

Advised wear dusk mask.

F-Depth adjustment handle

I-Overcurrent protective device

L-Switch

O-Rubber feet

G-Carrying handle

J-Extension table

M-Allen wrench

W-Carbon brush cover



OPERATION STEPS

Unpacking

Carefully unpack the machine. The packaging must be recycled in accordance with local regulations.

WARNING! Turn off the machine and unplug the power cord before cleaning - performing maintenance and adjustment.

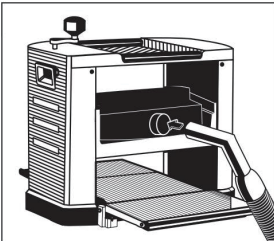
Assembly

Before using the machine must be in accordance with the requirements of the assembly complete.

Evacuation of shavings and wooddust:

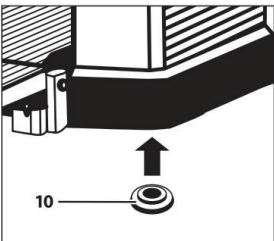
The tool is equipped with a dust hood with vacuum cleaner connection (V), this dust hood at the back of the machine for connection to a vacuum cleaner connection. A flexible hose (not supplied) can be connected to the collector. Some species of wood or processed wood produce sawdust harmful to health.

Pls attention: Always use the tool must be connected to a vacuum cleaner.



Install rubber feet (O):

If no need use foot frame to working, pls put 4pcs rubber feet into the four holes in the bottom of the machine.



Install depth Adjustment handle

Place the depth adjustment handle (F) on the protruding shaft to the right of the machine's top surface. Push on the handle firmly and lock it with the supplied screw.



Adjust depth of the planer

In order to be able to completely correct and safe operate this machine, User must be know how to correct adjust. Very Important!!!

Rotate the depth adjustment handle(F) a circle, the machine depth can be rised or lowered by 1.5 mm.

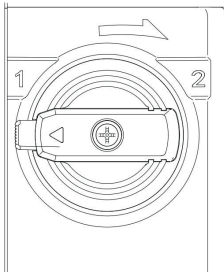
Adjust speed controller (P)

This machine has a two-speed function. 1 and 2 speed adjustment level,

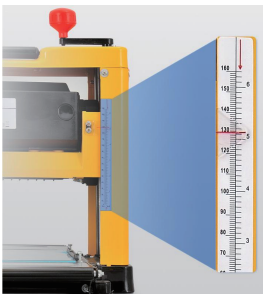
Position 1: wood feed speed 4.3M/minutes. planer big hardness wood.

Position 2: wood feed speed 7M/minutes, planer normal hardness wood.

under machine stop state, Use your thumb to press the governor button and rotate clockwise to position 2.



Before using, pls plane the wood a few times, that's can be ensure the surgace of the wood is completely horizontal in later use. Please refer to the correct wood width range to adjust the depth of the one-time planer:



width of wood (mm)	cutting depth (mm)
0~100	0~3
160~210	0~2
210~330	0~1



At first, user needs a ruler to measure the thickness of the wood to be planed, Then observation depth label (H) to adjust the depth label to the thickness of the planer required by the user.

Such as: the thickness of wood it's 200mm, user wants to planer 2mm, so depth label pointer is at 198mm, In this way, the thickness required by the user can be reached during the one- time working process.

Pls note:The distance between the bottom of the machine and the knife shaft is the thickness of the wood when it is planed; The difference between the thickness of the wood when it comes out of the machine and the thickness when it comes in is the thickness of the wood that was shaved off.

1. Width of wood 0-100mm, we suggest cutting depth adjust 0-3mm, Max 3mm per time.
2. Width of wood 160-210mm, we suggest cutting depth adjust 0-2mm, Max 2mm per time.
3. Width of wood 210-330mm, we suggest cutting depth adjust 0-1mm, Max 1mm per time.

Warning! The length of the wood must not be less than 153mm.The thickness of the wood must not be less than 10mm.

Operate switch (power ON/OFF)

Plug the power cord into the mains supply. If you are using an extension cord, the cross section of the conductors must be sufficient for the tool's power supply. Avoid inappropriate use of cable. as this can lead to voltage drop and cause power loss and over heating.



Up press the button marked “1” to start the machine. Down press the button marked “0” to stop the machine.

OPERATION

Coarse PLANING

Coarse planing is used to provide a reference surface for machining.

1. Set a small removal setting for the best surface finish.
2. Process where possible along the grain.

Note :the surface finish is affected by various factors.

1. the wood's hardness,moisture content,fibre structure. etc.
2. Blade sharpness,machining direction,material removal per pass. etc.
3. Perform test machining to find the best setting.

PLANING

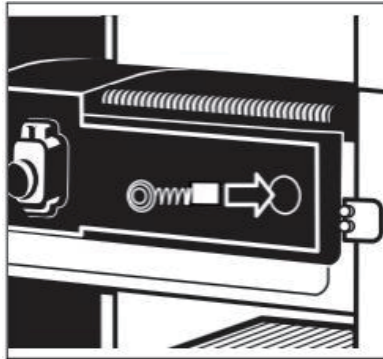
Planing involves material removal of the workpiece to the desired thickness, the machining of the surface opposite a coarse planed reference surface.

MAINTENANCE

WARNING : Turn off the machine and unplug the power cord before cleaning and maintenance, Do not use water or other liquids to clean electrical parts.

CHECK AND REPLACING THE CARBON BRUSH

1. Turn off the machine, unplug the power cord and wait until all moving parts have stopped completely.
2. Dismantle the carbon brush cover (W) as illustrated using a screw driver.
3. Fit the new carbon brushes. Always replace both carbon brush at the same time.
4. Replace the carbon brush cover (W).



Overcurrent protective device correct use and replacement (I)

When the load power is too large, the current exceeds the load, so the overcurrent protective device will jump!

1. When the overcurrent protective device jump, first disconnect the power supply of the machine, then press the protective button to reset it
2. When press the protective button to reset it, don't reboot immediately. Need wait for the machine temperature to cool then start for use.
3. If overcurrent protective device jump frequently. Pls replacement a new.



ADJUST TABLE EXTENSION (J)

Attention: this adjustment is already factory set ok ,in order to avoid to effecting the function of the machine . need to check again.

1. Put the engine body rise to a suitable height , so that it is easily assembly.
2. Place a horizontal rule on the main worktable, use rule to measure the table extension (J) and main worktable's level.
3. If the table extension (J) are not flush with the main worktable, loosen the nut and turn the screw until table extension's rollers and the main worktable touch the ruler, Adjust both the left and right -hand table extensions (J).

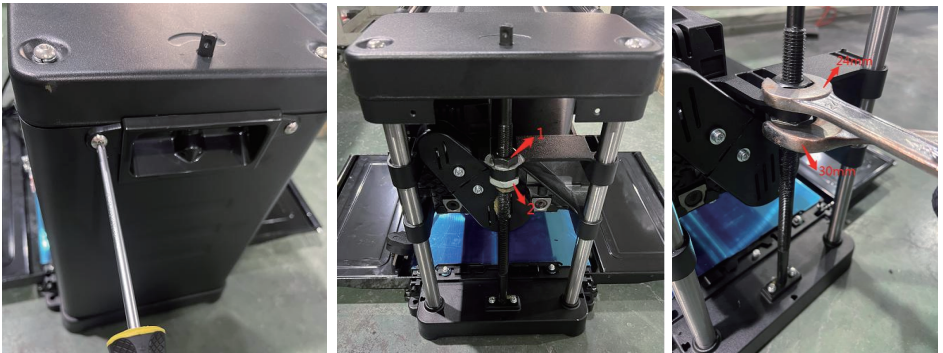


ENGINE BODY LEVEL ADJUSTING

ATTENTION: This adjustment is already factory set ok. in order to avoid to effecting the function of the machine. need to check again. Poor parallelism is usually caused by misaligned blades or A fall in transit caused the body to tilt. Always check that the blade holder and the work table parallel before attempting to adjust the parallelism setting.

Engine body is lowered to a certain height by rotating the handle, two wooden blocks of the same height are placed at the lower end of the body and clamped tightly

1. Loosen the two screws on the handle of the right panel using a cross screwdriver, see picture 1 Attention: only need adjusting right panel
2. Take off right pane
3. Use 24mm open wrench +30mm open wrench to adjusting engine body up and down. Position 1 use 24mm open wrench, position 2 use 30mm open wrench. 24mm open wrench clamp 24mm nut do not rotate and turn the 30mm open wrench one turn to the left (clockwise) to keep the screw nut loose
4. Use 24mm open wrench adjust 24mm nut, rotate clockwise to raise the engine body and counterclockwise to down the engine body, Until the engine body is level with the base
5. Use 24mm open wrench clamp 24mm nut do not rotate, use 30mm open wrench tighten 30mm nut

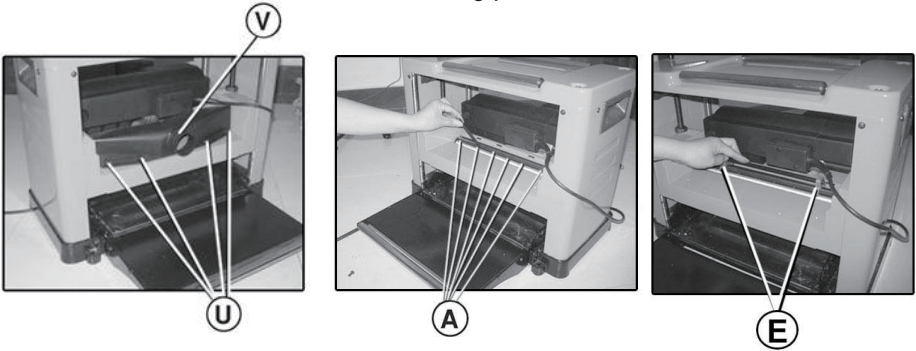


Replacing and Adjusting the blades

WARNING! Turn off the machine, unplug the power cord and wait until all moving parts have stopped completely before replacing or adjusting the blades.

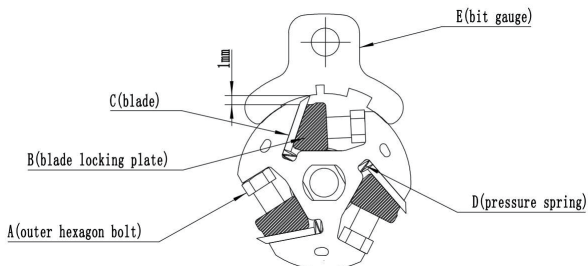
Dismantling the knife blade

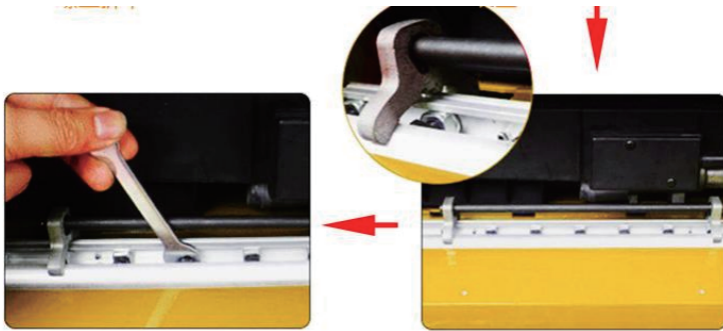
1. Use allen wrench (N) to remove the dust hood (V) by loosening the screws (U), see below picture.
2. Use the double open wrench (N) to loosen the blade locking plate (B) and knife blade (C) by turning the outer hexagon bolt (A) clockwise. The knife blades are spring-loaded (D) and can be removed when the blade locking plate is removed.
3. Remove the knife blade and blade locking plate.



Install the knife blade

1. First ensure that the pressure springs (D) on the knife shaft are in the 2 fixed holes
2. Align the hole in the knife blade with the pin in the blade locking plate,
3. Insert the 8 outer hexagon bolt (A) into the fixed hole of the blade locking plate
4. Insert the knife blade (C) and knife locking plate (B) and 8 outer hexagon bolt (A) together in the slot and lock in position by turning the outer hexagon bolt (A) anticlockwise but not 100% tighten. Ensure that the blades face in the right direction (see picture).
5. Set the height of the knife shaft of the knife blades as 1mm with the bit gauge (E). That two support blocks on left and right side of bit gauge are pressed against the knife blade. (Loosen, if necessary, the clamping screws to move the blade to the correct position.) When the knife blade is positioned correctly. Hold it firmly in place and tighten all outer hexagon bolt (A).





Warning! Check that total 24 screws are tightened. Turn the blade holder by hand to check that it rotates easily and smoothly. Handle the blades with caution to avoid personal injury and/or damage to property.

LUBRICATION :

1. Regularly remove shavings from the depth setting chains, reduction drive and lifting screws for the blade holder.
2. Remove chips with a cloth and brush and lightly grease with a clean brush dipped in oil.
3. Never pour oil directly on the components-- too much oil means dust will stick and impair lubrication, which in turn shortens component life.
4. The blade holder's bearings are sealed and must not be lubricated.

MAINTENANCE

1. Keep the machine clean and free of dust and chips.
2. Clean reapped materials from the blade holder and tongues and carefully lubricate with a clean brush dipped in oil.
3. Remove resin and the like from the rollers and work table with a non-flammable solvent.
4. Clean plastic parts with a damp cloth and mild detergent. Never immerse the tool in water or any other liquid. Never use detergents or alcohol.
5. Always check that all guards and other components are correctly fitted before use. Guards or other parts that are damaged must be repaired or replaced by an authorised service centre, unless otherwise specified in these instructions.

This product is subject to the provision of European Directive 2012/19/EC. The symbol showing a wheellie bin crossed through indicates that the product requires separate refuse collection in the European Union. This applies to the product and all accessories marked with this symbol. Products marked as such may not be discarded with normal domestic waste, but must be taken to a collection point for recycling electrical and electronic devices.



Manufacturer: ZHEJIANG LANGCHENG INDUSTRY&TRADE CO., LTD
 Address: No.18 Weisan East Road, Hardware Machinery Industrial Zone,
 Tongqin Town, Wuyi County, Jinhua City 321201 Zhejiang, P.R.China
 Importer: WAITCHX
 Address: 250 bis boulevard Saint-Germain 75007 Paris
 Importer: FREE MOOD LTD
 Address: 2 Holywell Lane, London, England, EC2A 3ET

UK	REP	EUREP UK LTD UNIT 2264, 100 OCK STREET, ABINGDON OXFORDSHIRE ENGLAND OX14 5DH
----	-----	---

EC	REP	EUREP GmbH Unterlettenweg 1a, 85051 Ingolstadt, Germany
----	-----	---

VEVOR[®]

E-mail: CustomerService@vevor.com