

# **VEVOR<sup>®</sup>**

## **TOUGH TOOLS, HALF PRICE**

Technical Support and E-Warranty Certificate

<https://www.vevor.com/support>

## **PORTABLE SAWMILL ( 36 IN / 48 IN )**

### **USER MANUAL**

We continue to be committed to offering tools at competitive prices. "Save Half", "Half Price", or any other similar expressions used by us only represent an estimate of savings you might benefit from buying certain tools with us compared to the major top brands and do not necessarily mean to cover all categories of tools offered by us. You are kindly reminded to verify carefully when placing an order with us if you are saving half in comparison with the top major brands.

# VEVOR®

Portable Sawmill  
(36 in / 48 in)



## NEED HELP? CONTACT US!

Have product questions? Need technical support? Please feel free to contact us:

✉ [CustomerService@vevor.com](mailto:CustomerService@vevor.com)

This is the original instruction, please read all manual instructions carefully before operating. VEVOR reserves a clear interpretation of our user manual. The appearance of the product shall be subject to the product you received. Please forgive us that we won't inform you again if there are any technology or software updates on our product.



**WARNING:**

Read carefully and understand all **ASSEMBLY AND OPERATION INSTRUCTIONS** before operating. Failure to follow the safety rules and other basic safety precautions may result in serious personal injury.

**INTEND USE**

Attach the portable chainsaw sawmill to your chainsaw to create a portable mill where you need it most.

**TECHNICAL SPECIFICATIONS**

ITEM	Description (24in.)	Description (36in.)	Description (48in.)
SIZE	24"	36"	48"
FITS	Chainsaw bars 14" to 24"	Chainsaw bars 14" to 36"	Chainsaw bars 14" to 48"
Log Diameter	21in.	33in.	45in.
THICKNESS	Cut plank from 0.2" to 11.81" thick	Cut plank from 0.2" to 11.81" thick	Cut plank from 0.2" to 11.81" thick

**GENERAL SAFETY RULES**



**WARNING: Read and understand all instructions.** Failure to follow

all instructions listed below may result in serious injury.



**CAUTION: Do not allow persons to assemble this Mower Display**

**Rack until they have read this manual and have developed a thorough understanding of how the Mower Display Rack works.**



**WARNING:** The warnings, cautions, and instructions discussed in this instruction manual cannot cover all possible conditions or situations that could occur. It must be understood by the operator that common sense and caution are factors which cannot be built into this product, but must be supplied by the operator.

## SAVE THESE INSTRUCTIONS

### WORK AREA

**Keep work area clean,** free of clutter and well lit. Cluttered and dark work areas can cause accidents.

**Keep children and bystanders** away while assembling Lumber mill

**Be alert of your surroundings.** Using a Lumber mill in confined work areas may put you dangerously close to cutting tools and rotating parts.

## ASSEMBLY

### Step 1

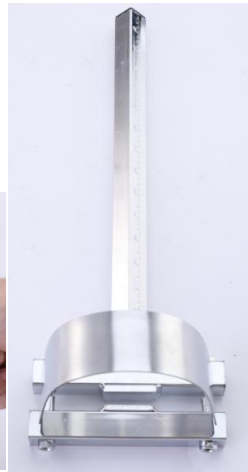


Insert two M8x75 bolts (item#19) through adjustment post (item#1) and into clamping bracket(make sure the side of the adjustment post with measurements on it is facing away from you when assembling)(item#2)engaging nuts on bottom of clamping bracket. leave loose so there is a gap for the saw bar!

## Step 2



to



Insert two M8x75 bolts (item#19) through adjustment post (item#5). Slide bolts through nose guard (item #11) and through clamping bracket (item#6). Start hex head bolts (item#19) into nuts on bottom of bracket. Leave loose so there is a gap for mounting chainsaw bar!

## Step 3



Attach thrust and post assembly t end bracket using U-clamp (item#12) post clamp (item#13) two i washer (item#18), and coupling nuts (item#17).

### Step 4



Secure handle at thrust end flush with end bracket using pan head(item#21)and lock nut (item#22).

### Step 5



The same applies to the nose end but do not tighten nut(same Step 3 and Step 4).

### Step 6



Attach tie bar (item#8) and grip handle (item#3) to an-off bar (item#7) using carriage bolts (item #16). Coupling nut (item #17)then attach unit to thickness rails (item #10) using two bolts (item #16) flat washer (item #18) and nuts (item#17).

## Step 7



Attach end bracket (item#4) to thickness rails(item#10) using carriage bolts (item#19) two flat washer and Coupling Nut (item#17). Tighten hex nuts finger tight only. Attach 2nd end bracket (item#4) to thickness rail (item#10) using two bolt(item#16), washer and nuts (item#17) now tighten hex nuts. Be sure than end brakets are flush with thickness rails.



### New function

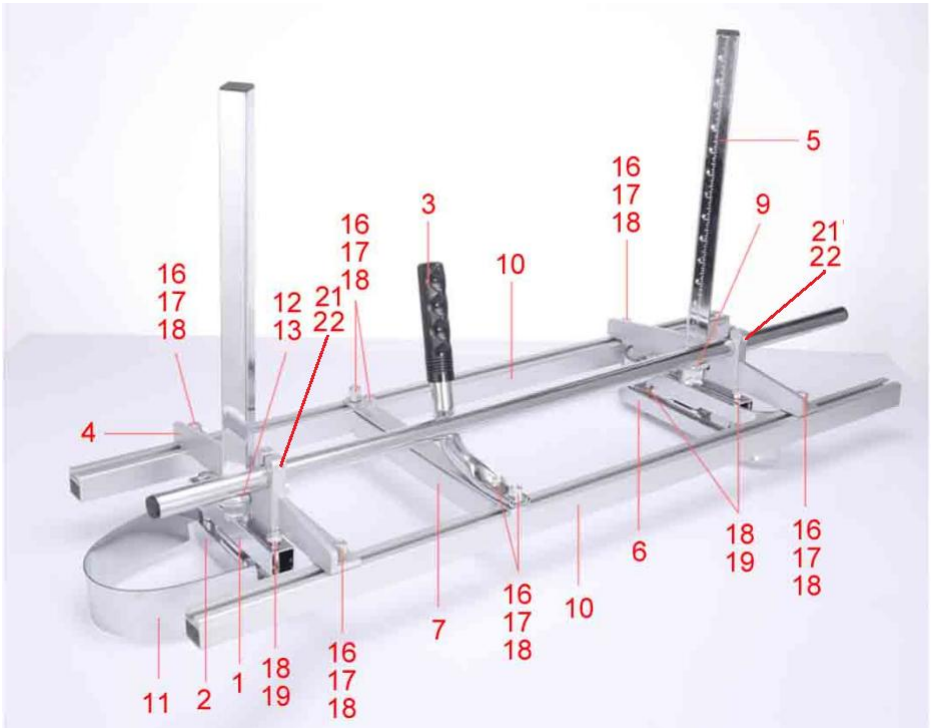
You can use the scREW (item#20) to fix the Chain saw to Clmp. Brkt/Nose End (item#6) , so it can make the Chain saw firm.



		
<p>#1 ADJ .Post/Trust End (1pcs)</p>	<p>#2 Clmp.Brkt/Trust End (1pcs)</p>	<p>#3 Grip Handle (1pcs)</p>
		
<p>#4 End Bracket (2pcs)</p>	<p>#5 ADJ .Post/Nose End (1pcs)</p>	<p>#6 Clmp.Brkt/Nose End (1pcs)</p>
		
<p>#7 On-off Guard Bar (1pcs)</p>	<p>#8 Tie Bar (1pcs)</p>	<p>#9 Handle (1pcs)</p>
		
<p>#10 Thickness Rail (2pcs)</p>	<p>#11 Nose Guard (1pcs)</p>	<p>#12 U-clamp (2pcs)</p>
		
<p>#13 Post Clamp (2pcs)</p>	<p>#14 Combination wrench (8-10mm)</p>	<p>#15 "T" Soket wrench, Screwdrivers</p>



		
<p>#16 CRG Bolt M8*25 (8pcs)</p>	<p>#17 Coupling Nut M8*13 (12pcs)</p>	<p>#18 Flat Washer (16pcs)</p>
		
<p>#19 Hex Bolt M8*75 (4pcs)</p>	<p>#20 Machine Screw (2pcs)</p>	<p>#21 Pan screw M5*40 (2pcs)</p>
		
<p>#22 Hex lock nut M5 (2pcs)</p>	<p>#23 Wedge (2pcs)</p>	<p>#24 Glove (2pcs)</p>



Manufacturer: Yongkang jinjian hardware factory

Address: 11 Huabao Road, Zhiying Industrial Zone II, Yongkang City,  
Zhejiang Province, China

**VEVOR**<sup>®</sup>

**TOUGH TOOLS, HALF PRICE**

Technical Support and E-Warranty Certificate

<https://www.vevor.com/support>