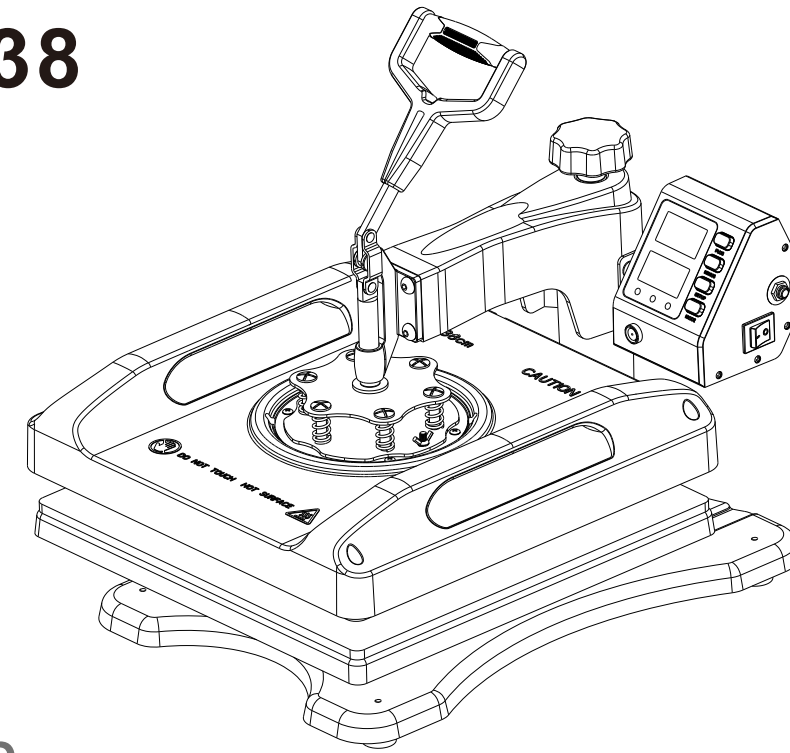


# HEAT PRESS P8038



## EN Start Here

Warnings must be followed carefully to avoid body injury.



### Transfer Parameter(for reference)

T shirt (sublimation)	T shirt(PU flex film)	Pillow	Cap	Rock photo	Crystal	Aluminum sheet
200°C(390°F) 60S	170°C(338°F) 25S	200°C(390°F) 60S	200°C(390°F) 40S	190°C(380°F) 400S	190°C(380°F) 720S	170°C(338°F) 100S
Mug	Magic mug	Plate	Sport bottle	Aluminum sheet	Glass frame	Pen
180°C ( 360°F ) 180S	180°C ( 360°F ) 180S	200°C(392°F)900S	180°C ( 360°F ) 90S	170°C(338°F) 100S	180°C(360°F) 300S	200°C(390°F) 20S

### Main parameters

Product Name	Multi funtion heat press machine	Rated voltage	220V~	110V~
Item No.	P8038	Rated frequency	50Hz	50-60Hz
Highest temperature	210°C 410°F	Rated power	1200W	1000W
Transfer size	380*380mm	Length of the cable	1.5 M	
Packing size	580*535*420mm	Mug heat press machine power	280 W	
Cap heat press machine power	150W	Pen heat press machine power	160 W	

### Feature commentary

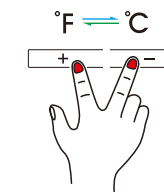
# 1

**+ Plus**

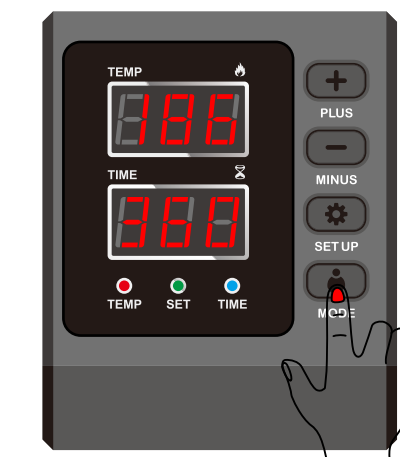
**- Minus**

**Setup**

**Mode**



Note: Press (+/-) to switch Fahrenheit and Celsius



### 1. How to turn on/off and how to start?



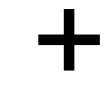
Press the switch button on the side of the thermostat to start the machine. Press once to count down and press again to reset.

### 2. How to set the temperature/time?



Press once to set the temperature, press twice to set the time and press again to exit.(It will automatically exit the temperature/time setup state in case of no operation within 5sec.).

### 3. How to set the temperature/time to increase or decrease?



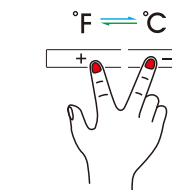
Set the time/temperature increase



Set the time/temperature decrease

### 4. How to change the temperature unit from °C to °F?

In the power-on state, press "+" and "-" at the same time to change the temperature unit between °C and °F.



### 5. How to set auto shutdown time?



Press and hold for 5 sec. to set the auto shutdown time. (The factory default is 60min and the range is from 10min to 120min)

### 6. How to do temperature correction?



Press and hold for 5 seconds to enter the temperature correction setting. (Range ±30°C, initial value is 0)

### 7. How to turn on / off the beep sound?

In the shutdown state, press "-" to turn off the sound and OFF is shown; Press again to turn on the sound and ON is shown.

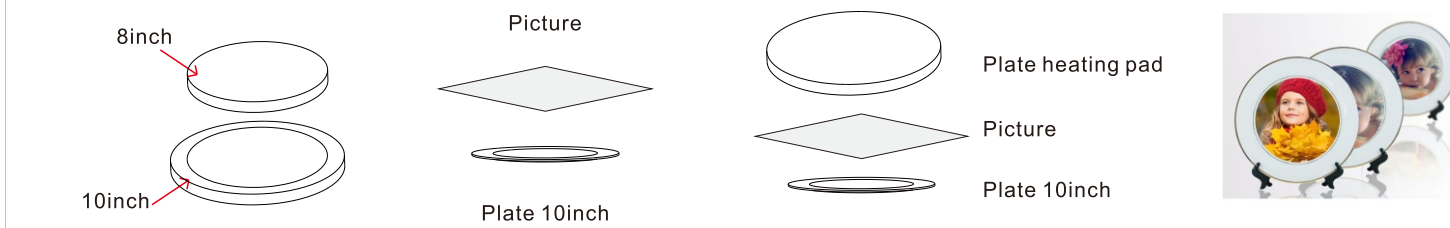
### 8. Tips: The max. set temperature of this machine is 210°C and the longest time is 999sec.

### Accessories installation diagram

Please perform all operations after power off



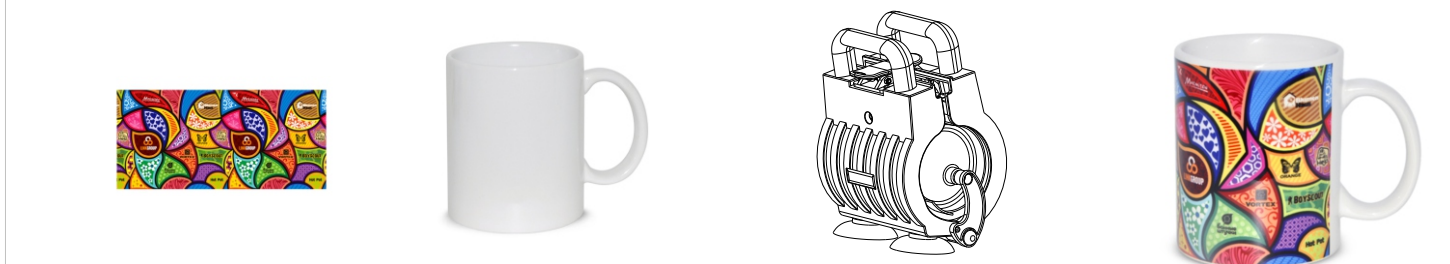
### Plate transfer process



200°C 900S

1. Select one side that matches the size of the plate to be sleeved with a silica gel pad, and remove the silica gel pad on the other side; Keep the side without silica gel pad facing upwards and heat it on the machine for 15 minutes;
2. Put the hot stamping paper on the plate that wants to print the pattern.
3. Remove the heating plate and place it on the plate, keeping the side without silica gel pad facing upward

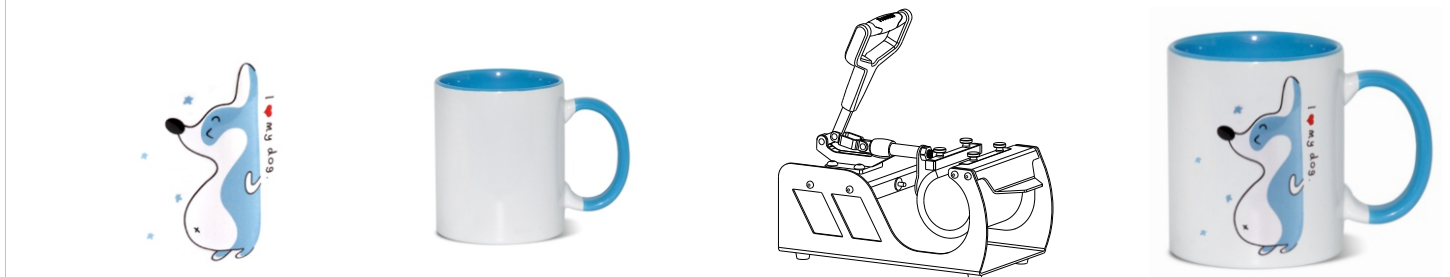
### This mug heat press machine is matched with 5 in 1 and 6 in 1.



1. Connect the cap baking machine to the main machine and set the time and temperature
2. Stick the transferred picture on the hat.
3. When the temperature reaches, place the hat into the hat baking machine and press tightly.

180°C ( 360°F ) 180S

### This mug heat press machine is matched with 8 in 1,10 in 1,11 in 1

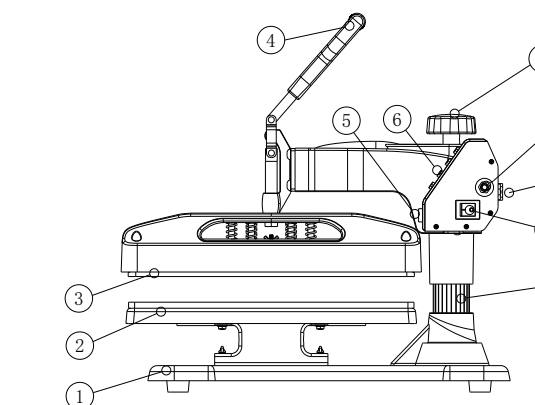


1. Connect the cap baking machine to the main machine and set the time and temperature
2. Stick the transferred picture on the hat.
3. When the temperature reaches, place the hat into the hat baking machine and press tightly.

180°C ( 360°F ) 180S

### Main spare parts

1. Pedestal
2. Placement
3. Heating plate
4. Handle
5. Aviation connector
6. Button
7. Lift knob
8. Overload protector
9. Power socket
10. Power switch
11. Column



### Guarantee

The products are strictly based on the Consumer Protection Law of the People's Republic of China and the Product Quality Law of the People's Republic of China. The services are as follows:

Within 12 months, this product has the performance failure listed in the "Product Performance Failure Table". It is confirmed by SUNMETA and can be used for maintenance service free of charge. If out of validity, damage caused by force majeure, or human causes, the machine is not covered by the warranty, repair in charge.

### Safety instruction:

Before operating this unit, please read these instructions completely and save them

#### Notice

- ⚠ Keep unplug when moving the machine
- ⚠ Keep unplug when installing accessories
- ⚠ Place on a flat and stable platform and operate under ventilated conditions
- ⚠ Wear special protective equipment when operating the machine

### Warning

Improper use may result in electric shock, fire, personal injury and other damage.

- ⚠ Do not use this machine in a hazardous location
- ⚠ Do not use when the machine is not working properly.
- ⚠ Do not allow children or adults who do not understand this manual to operate this machine.
- ⚠ Do not disassemble and repair this machine.
- ⚠ Do not use an unsuitable AC outlet.
- ⚠ Do not touch the heating plate when the machine heating.

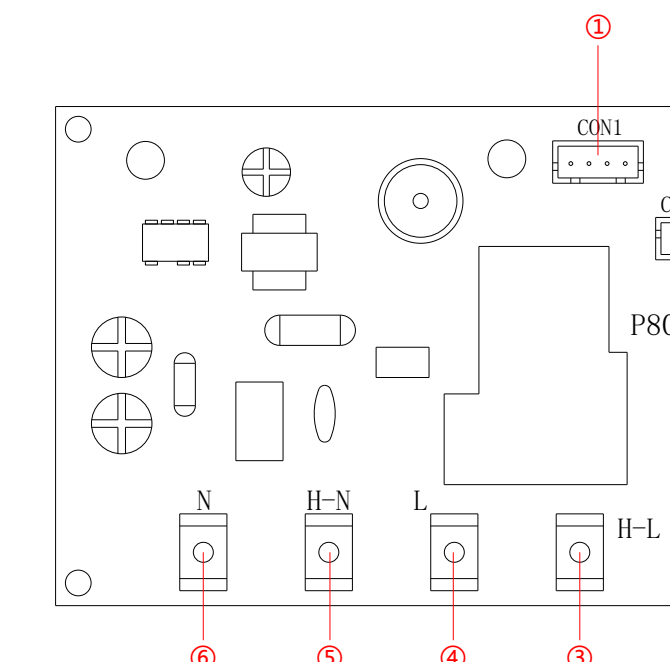


Warning

### warranty content

### Product Performance Failure Table

Machine body	Parts of the machine itself (excluding main parts)	One year	Fault 1	The machine cannot be used normally according to the operating procedure
	38*38mm aluminum alloy heating plate	One year	Fault 2	Heating plate not heating
Main parts	PCBA(circuit board)	One year	Fault 3	Display error
	Mug heating element	90days	Fault 4	Failure heating
	Pen heating element, cap heating element	One year	Fault 5	Failure heating



### Circuit Board Wiring Method

# 3

1. Cables on the motherboard and display
2. NTC temperature probe
3. Hot plate
4. Main incoming line
5. Heating plate zero line
6. Main incoming zero line