

VEVOR[®]

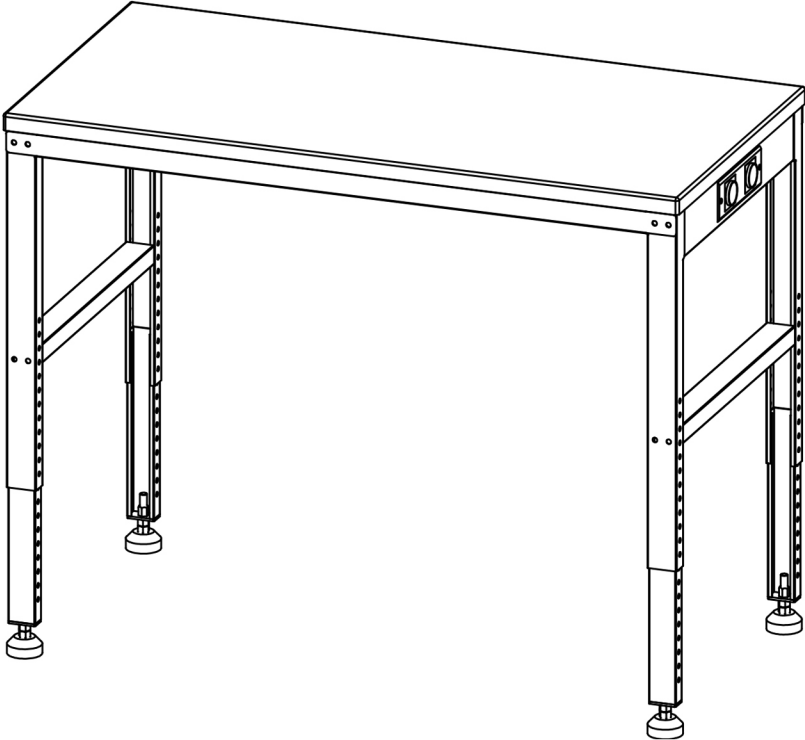
53" Wood Worktop Workbench

USER MANUAL

VEVOR®

53" Wood Worktop Workbench Instruction Manual

O5318



NEED HELP? CONTACT US!

Have product questions? Need technical support? Please feel free to contact us:




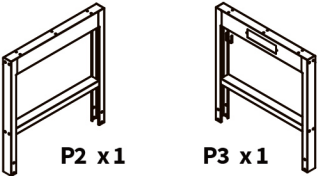



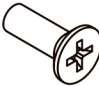


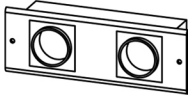

✉ CustomerService@vevor.com

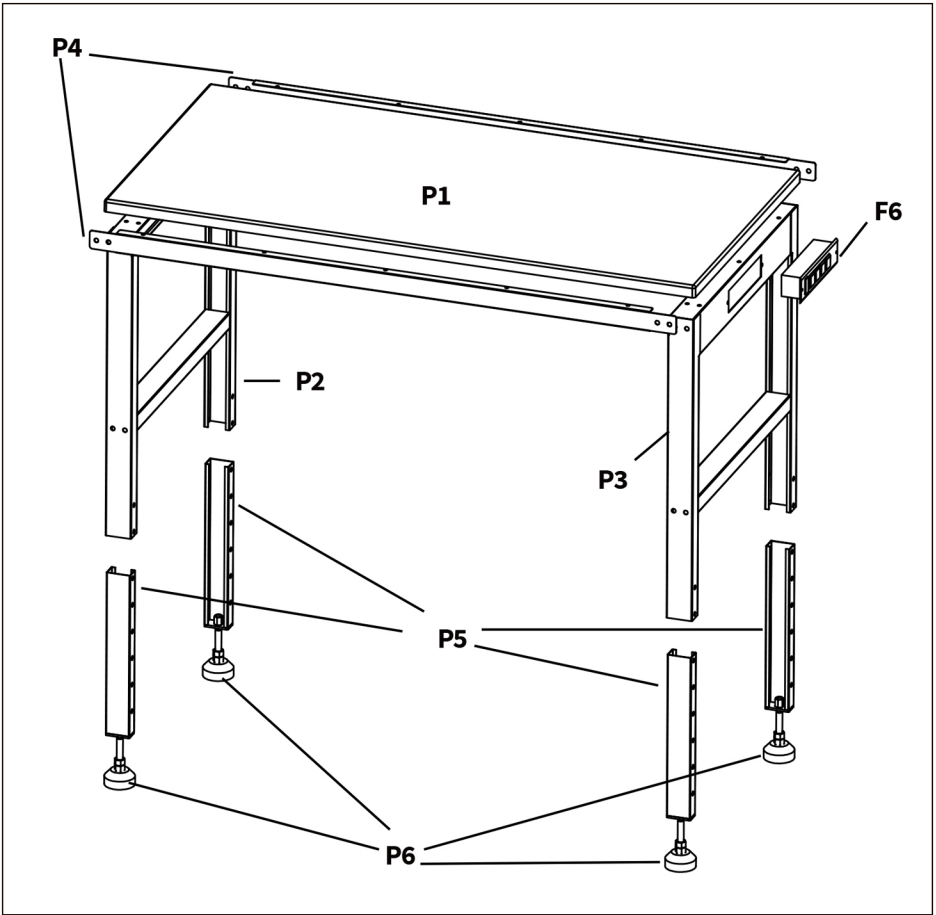
This is the original instruction, please read all manual instructions carefully before operating. VEVOR reserves clear interpretation of our user manual. The appearance of the product shall be subject to the product you received. Please forgive us that we won't inform you again if there is any technology or software updates on our product.

INSTALLATION PREPARATION

1. Two or more people to move and assemble the workbench.
2. Please prepare a carpet or mat to protect your floor you need to spread out all the accessories.
3. Please prepare gloves to avoid being scratched by sharp parts that may occur during installation.
4. Please open all the boxes to check that the accessories are complete and in good condition (The accessories list on page 3).
5. the box contains some **small components**, please place them properly before installation to keep them **away from kids and ensure safety**.
6. If you need to use power tools to install this product, **please set the speed to low speed in advance**.
7. When installing please align all the holes and **do not tighten all the screws first**, otherwise, it may make the installation difficult.

ACCESSORIES LIST

 <p>P1 x 1</p>	 <p>M5.5*12mm F1 x 22</p>	 <p>M8*12mm F2 x 8</p>
 <p>P2 x 1 P3 x 1</p>	 <p>M8 F3 x 16</p>	 <p>M8*65mm F4 x 8</p>
 <p>P4 x 2</p>	 <p>M4*12mm F5 x 2</p>	
 <p>P5 x 4</p>  <p>P6 x 4</p>	 <p>F6 x 1</p>	 <p>1</p>



Kindly Notes:

- 1.Please open all boxes to check the quantity and condition of accessories.
- 2.When installing, please align all the holes and do not tighten all the screws first.

Q : Is there any broken or missing part?

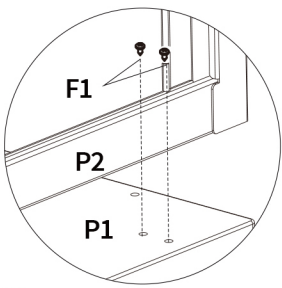
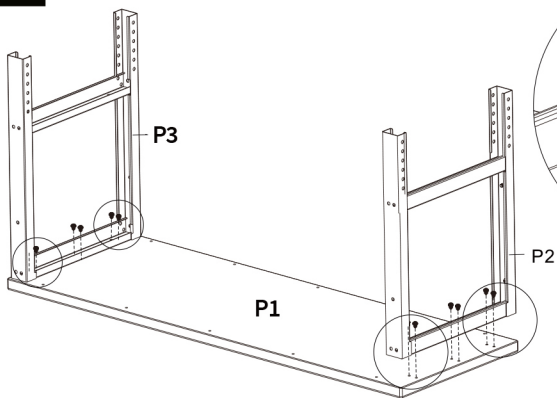
A : If yes, please feel free to contact us, we will do our best to assist you to solve the problem as soon as possible.

INSTALLATION INSTRUCTION

Q: How to solve the hole misalignment?

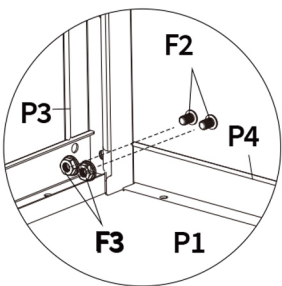
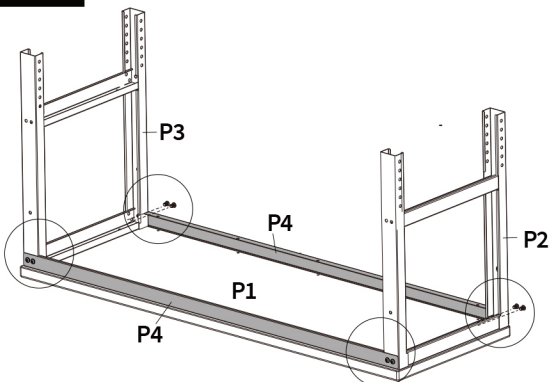
A: Please do not tighten all the screws until aligning all the holes.

STEP 1



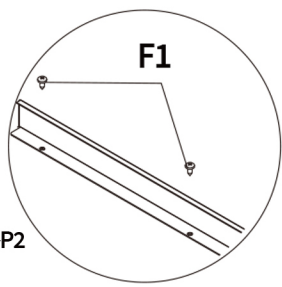
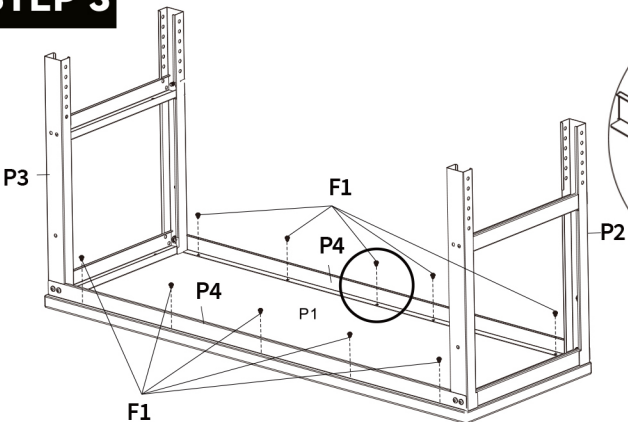
- P1 x 1
- P2 x 1
- P3 x 1
- F1 x 12PCS

STEP 2



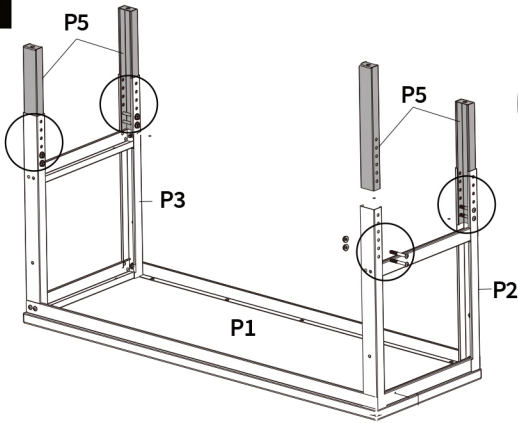
- P4 x 2
- F2 x 8PCS
- F3 x 8PCS

STEP 3



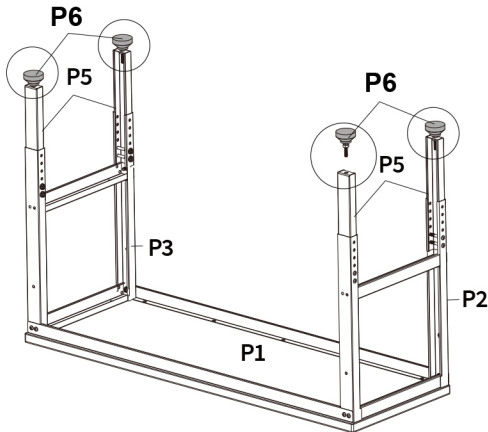
- F1 x 10 PCS

STEP 4



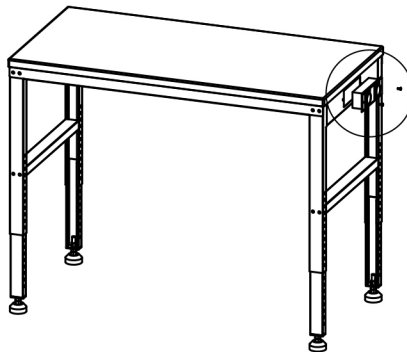
P5 x 4
F3 x 8PCS
F4 x 8PCS

STEP 5



P6 x 4

STEP 6



F6 x 1
F5 x 2PCS

VEVOR[®]

E-mail: CustomerService@vevor.com