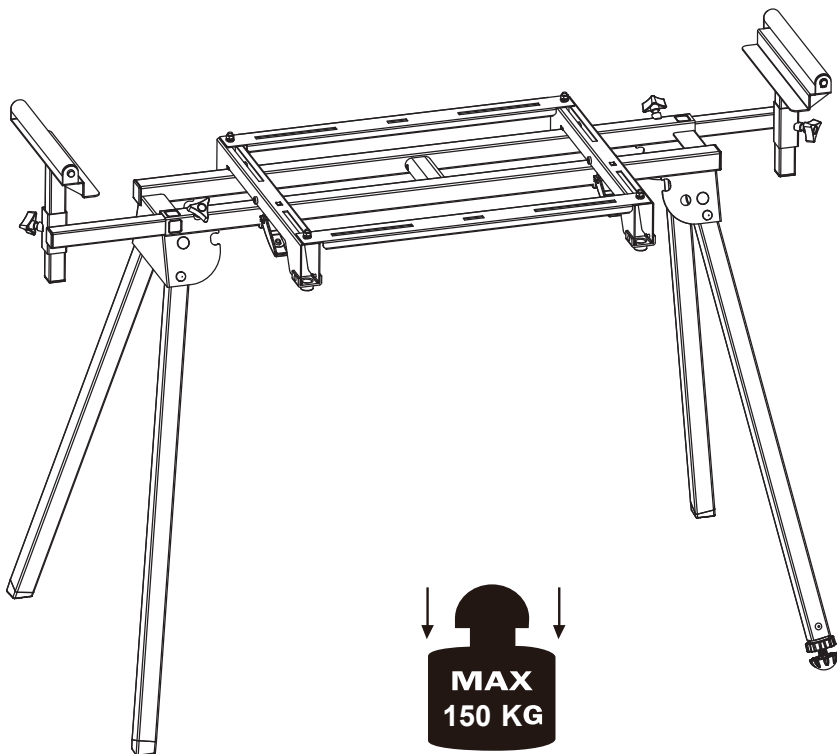


VEVOR[®]

**MITER SAW STAND
USER MANUAL**

YH-MS050C3



NEED HELP? CONTACT US!

Have product questions? Need technical support? Please feel free to contact us:

CustomerService@vevor.com

This is the original instruction, please read all manual instructions carefully before operating. VEVOR reserves clear interpretation of our user manual. The appearance of the product shall be subject to the product you received. Please forgive us that we won't inform you again if there is any technology or software updates on our product.



Warning-To reduce the risk of injury, user must read instructions manual carefully.

GENERAL SAFETY INSTRUCTIONS

Caution: Read these instructions before using this universal miter saw stand. Do not modify and do not use this product for any purpose other than for which it was designed.

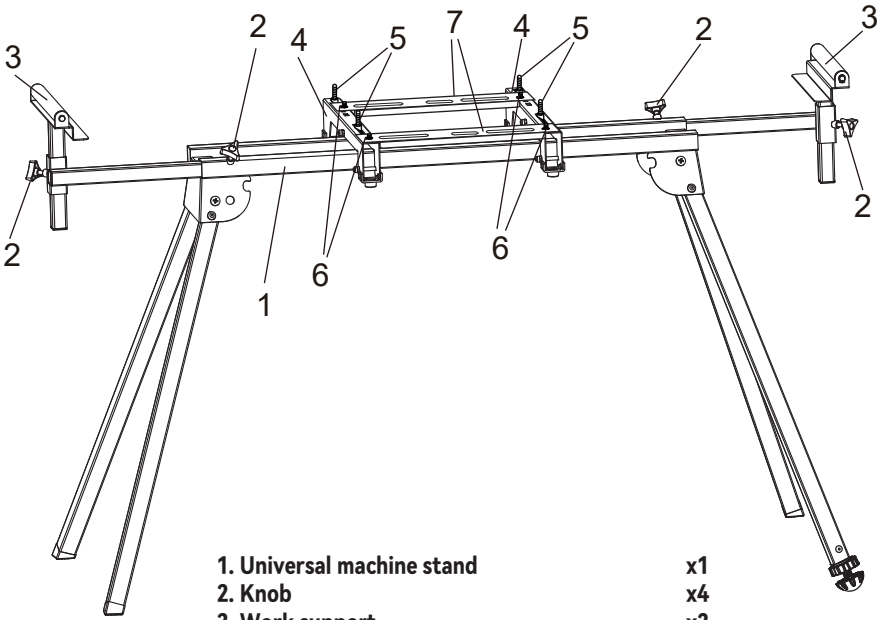
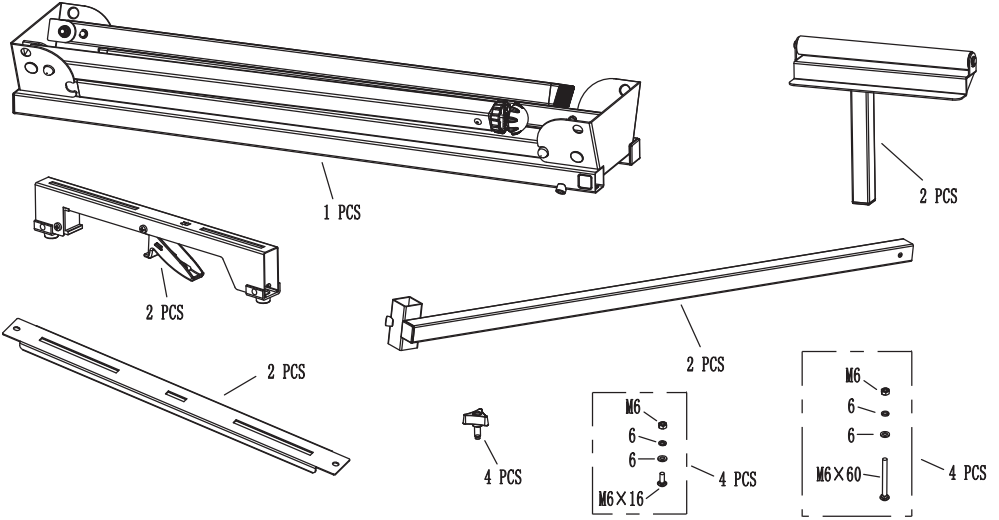
- For maximum stability, use the stand at miters only on a flat surface and level.
- Be careful when raising or lowering the support to avoid trapping your fingers or hands.
- Before use, make sure the miter saw is firmly fixed to the stand to avoid any unwanted movement of the saw.
- Do not overload the side extension arms.
- Do not use if product is damaged any way.

CLEANING AND STORAGE

Caution: Before any cleaning and maintenance, stop the machine mounted on the support and disconnect its plug from the socket! Risk of injury!

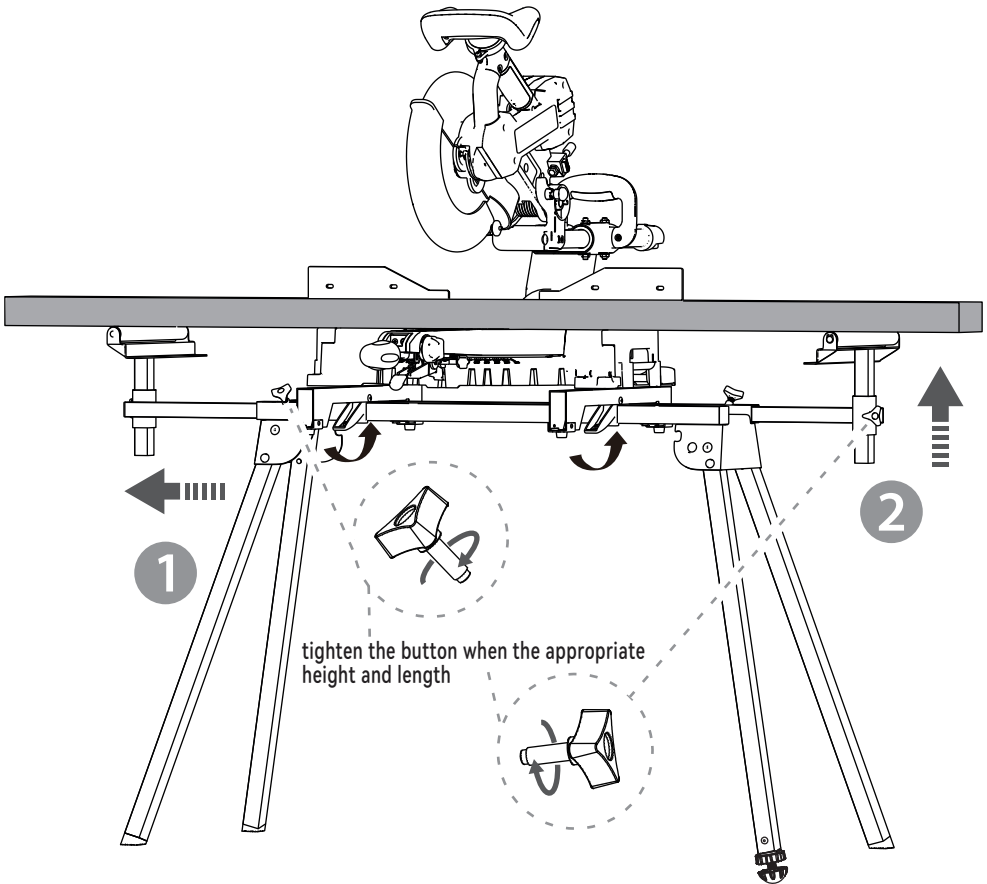
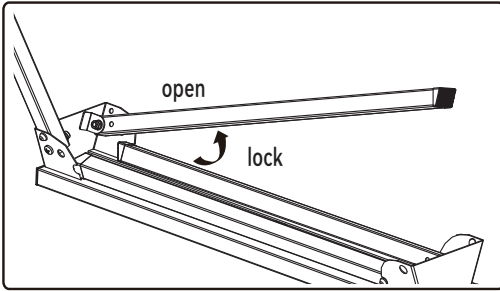
- Clean the universal miter saw holder with a clean, dry or slightly damp cloth. Do not use detergents or aggressive chemicals .
- The universal miter saw stand should be stored in a dry place out of reach of people not authorized to use it.

DESCRIPTION



- | | |
|---|----|
| 1. Universal machine stand | x1 |
| 2. Knob | x4 |
| 3. Work support | x2 |
| 4. Support arm | x2 |
| 5. Screw, Washer, spring washer, Nut M6 | x4 |
| 6. Screw, Washer, spring washer, Nut M6 | x4 |
| 7. Connect bracket | x2 |

FEATURES



Miter Saw Stand						
1	Model	YH-MS042C	YH-MS050C3	YH-MS056B	YH-MS055F-1	YH-MS055-1
2	Load Limit	250kg	150kg	225kg	150kg	150kg
3	Package size	1177×560×190mm	970×280×160mm	1290×290×190mm	1205×638×158mm	1205×638×158mm
4	G.W.:	27.4kg	12.9kg	18.3kg	26.1kg	26.1kg
5	Max Length	2500mm	1985mm	2640mm	/	/
6	Min Length	1260mm	940mm	1120mm	/	/
7	Extended Arm	Yes	Yes	Yes	No	No
8	Adjustable Height	Yes	No	No	Yes	Yes
9	With power strip	No	No	No	Yes	No

Manufacturer: Jinhua Yahu Tools Co., Ltd.

Address: No.1333 Jinyuan Road, 321000 Jinhua City, Zhejiang Prov.

Importer: WAITCHX

Address: 250 bis boulevard Saint-Germain 75007 Paris

Importer: FREE MOOD LTD

Address: 2 Holywell Lane, London, England, EC2A 3ET

Made in China

VEVOR[®]

E-mail: CustomerService@vevor.com