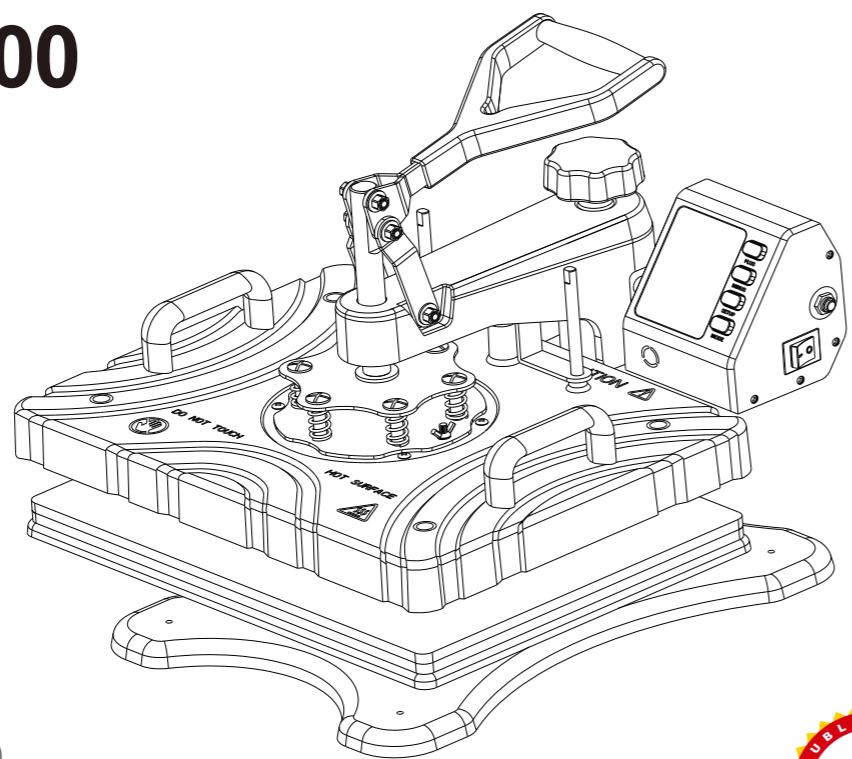


HEAT PRESS P8100



EN Start Here

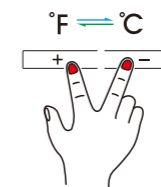
Warnings must be followed carefully to avoid body injury.



Feature commentary

1

- Plus
- Minus
- Setup
- Mode



Note: Press (+/-) to switch Fahrenheit and Celsius



SETUP

1. Set the temperature set the time
2. Long press for 5 seconds to correct temperature +30 degrees or -30degrees



PLUS

1. The value increases when setting.
2. When it is not set, it is the countdown start key.



MINUS

1. The value decreases when setting.
2. When not set, it is the countdown end key.



Mode



Three settings can be stored



PLUS MINUS



Temperature conversion
°F ↔ °C
Fahrenheit~Celsius

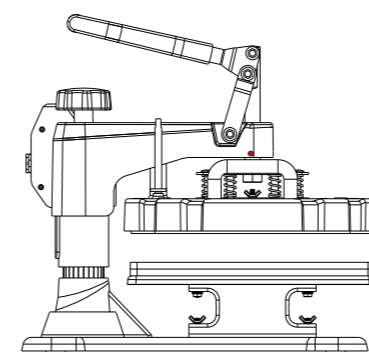
Transfer Parameter(for reference)

T shirt (sublimation)	T shirt (PU flex film)	Pillow	Cap	Rock photo	Crystal	Aluminum sheet
200°C(390°F) 60S	170°C(338°F) 25S	200°C(390°F) 60S	200°C(390°F) 40S	190°C(380°F) 400S	190°C(380°F) 720S	170°C(338°F) 100S
Mug	Magic mug	Plate	Sport bottle	Aluminum sheet	Glass frame	Pen
180°C (360°F) 180S	180°C (360°F) 180S	200°C(390°F) 420S	180°C (360°F) 180S	170°C(338°F) 100S	180°C(360°F) 300S	200°C(390°F) 20S

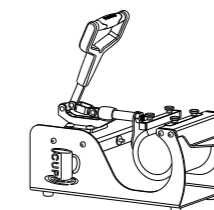
Main parameters

Product Name	Multi funtion heat press machine	Rated voltage	220V~ 110V~
Item No.	P8100	Rated frequency	50Hz 50-60Hz
Highest temperature	200°C 390°F	Rated power	1000W 850W
Transfer size	290X380mm	Length of the cable	1.5 M
Packing size	540X460X450mm	Mug heat press machine power	280 W
Cap heat press machine power	150W	Pen heat press machine power	160 W

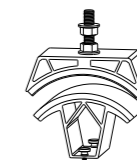
SPARE PART



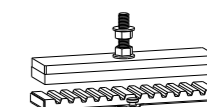
P8100 Machine body



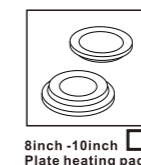
Mug heating element



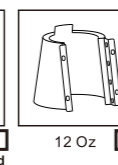
Cap heating element



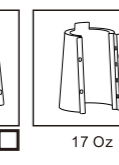
Pen heating element



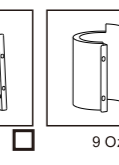
8inch -10inch Plate heating pad



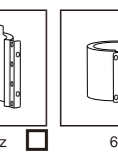
12 Oz



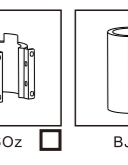
17 Oz



9 Oz



60z

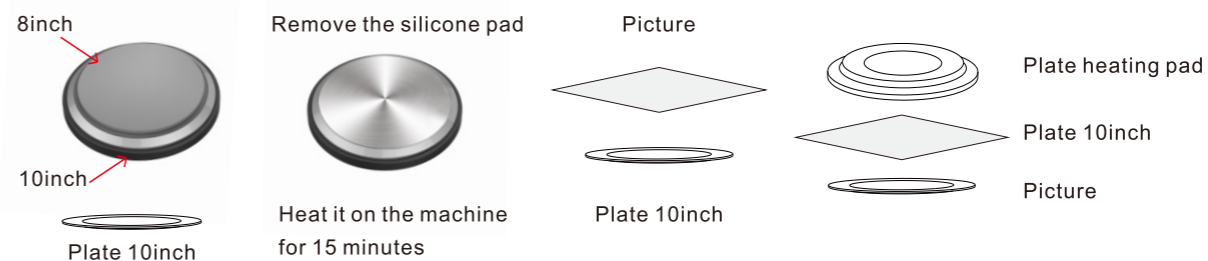


BJ-LH



Accessories will vary according to the model customer selected, pictures for reference only.

Plate transfer process



200°C 420S

1. Select one side that matches the size of the plate to be sleeved with a silica gel pad, and remove the silica gel pad on the other side; Keep the side without silica gel pad facing upwards and heat it on the machine for 15 minutes;
2. Put the hot stamping paper on the plate that wants to print the pattern.
3. Remove the heating plate and place it on the plate, keeping the side without silica gel pad facing upward

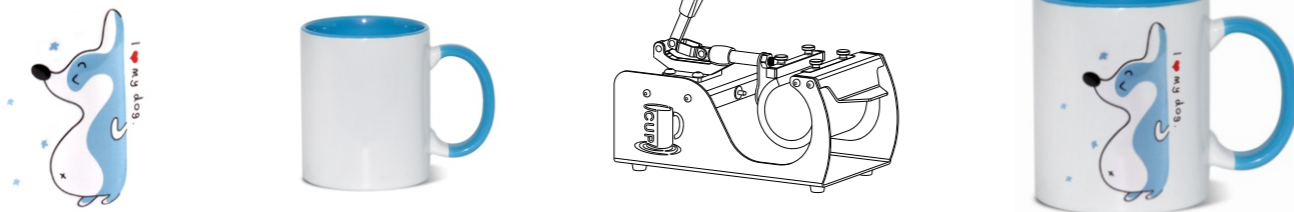
Accessories installation diagram

Please perform all operations after power off



Warning

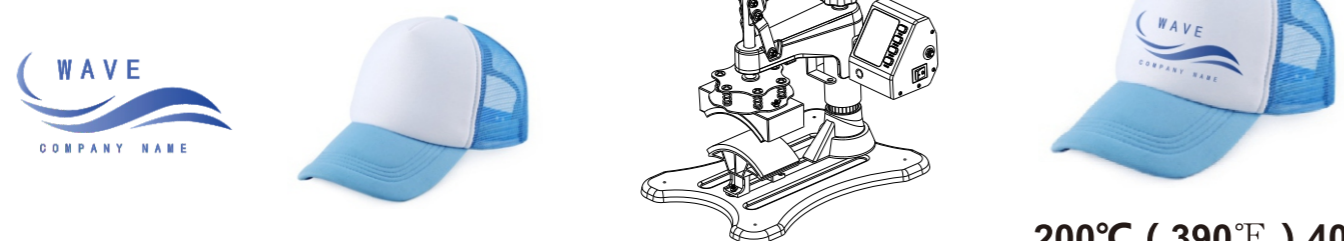
Mug heat press machine



1. Connect the cap baking machine to the main machine and set the time and temperature
2. Stick the transferred picture on the hat.
3. When the temperature reaches, place the hat into the hat baking machine and press tightly.

180°C (360°F) 180S

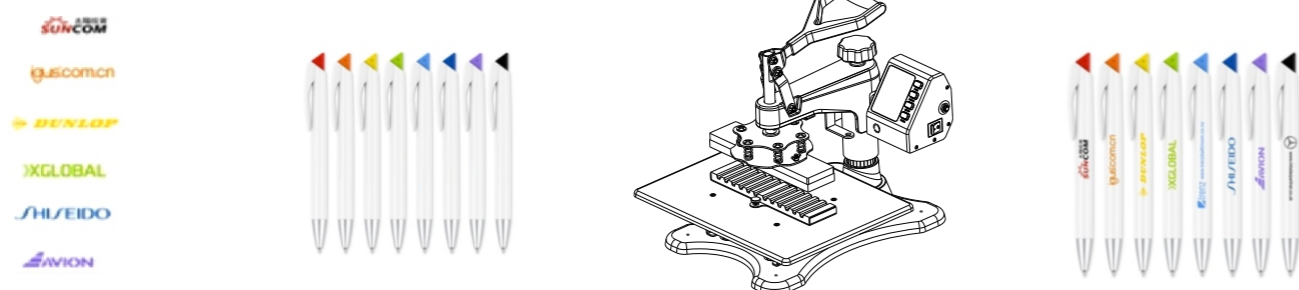
Cap heat press machine



1. Connect the cap baking machine to the main machine and set the time and temperature.
2. Stick the transferred picture on the hat.
3. When the temperature reaches, put the hat into the machine and press it tightly.

200°C (390°F) 40S

Pen heat press machine

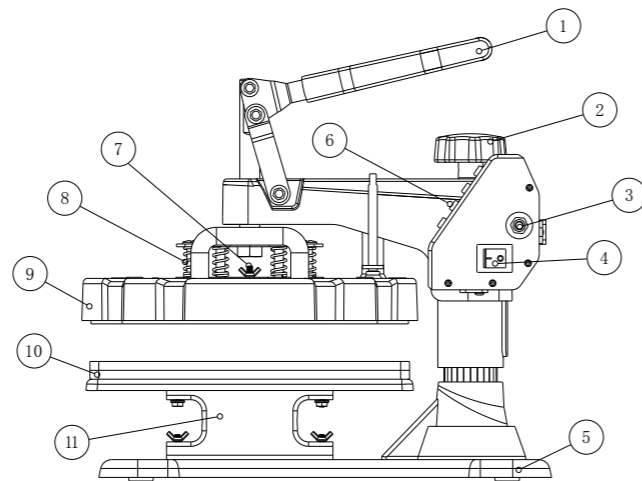


1. Connect the pen baking machine to the main machine and set the time and temperature.
2. Stick the transferred picture on the pen.
3. When the temperature reaches, place the pen into the pen baking machine and press tightly.

200°C (390°F) 20S

Main spare parts

- 1, Handle
2. Lifting control handle
3. Overload protector
4. Power switch
5. Base
6. Circuit board
7. Butterfly nut
- 8, Spring
9. Upper heat insulation cover
10. Silicone pad
11. Footwall bracket



Guarantee

The products are strictly based on the Consumer Protection Law of the People's Republic of China and the Product Quality Law of the People's Republic of China. The services are as follows:

Within 12 months, this product has the performance failure listed in the "Product Performance Failure Table". It is confirmed by SUNMETA and can be used for maintenance service free of charge. If out of validity, damage caused by force majeure, or human causes, the machine is not covered by the warranty, repair in charge.

Safety instruction: Before operating this unit, please read these instructions completely and save them

Notice

- ⚠ Keep unplug when moving the machine
- ⚠ Keep unplug when installing accessories
- ⚠ Place on a flat and stable platform and operate under ventilated conditions
- ⚠ Wear special protective equipment when operating the machine

Warning Improper use may result in electric shock, fire, personal injury and other damage.

- ⊘ Do not use this machine in a hazardous location
- ⊘ Do not use when the machine is not working properly.
- ⊘ Do not allow children or adults who do not understand this manual to operate this machine.
- ⊘ Do not disassemble and repair this machine.
- ⊘ Do not use an unsuitable AC outlet.
- ⊘ Do not touch the heating plate when the machine heating.



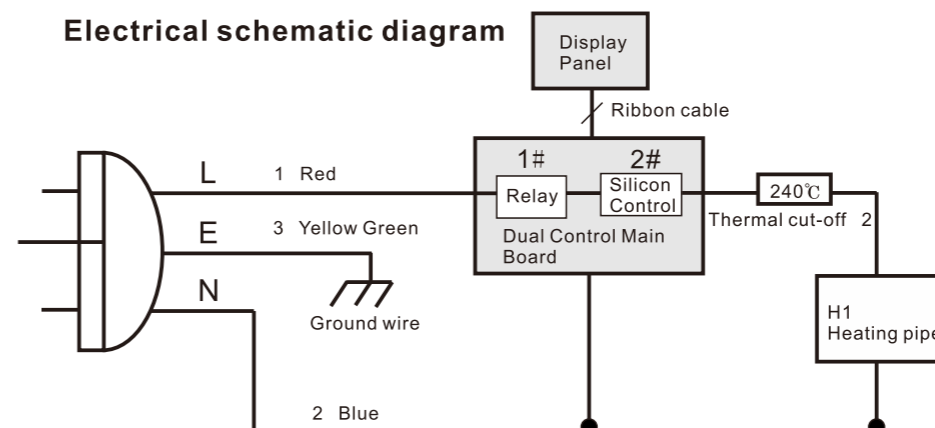
Warning

warranty content

Product Performance Failure Table

Machine body	Parts of the machine itself (excluding main parts)	One year	Fault 1	The machine cannot be used normally according to the operating procedure
Main parts	29*38mm aluminum alloy heating plate	One year	Fault 2	Heating plate not heating
	PCBA(circuit board)	One year	Fault 3	Display error
	Mug heating element	90days	Fault 4	Failure heating
	Pen heating element, cap heating element	One year	Fault 5	Failure heating

Electrical schematic diagram



Circuit Board Wiring Method

3

- 1, (HEAT) Heating plate input live wire
- 2, (N) The main incoming line zero line n
- 3, (COM) Heating plate input zero line
- 4, (L) Main incoming line L
- 5, (CON1) Button switch line
- 6, (CON2) NTC temperature probe wire
- 7, (CON3) Motherboard and display cable

