

VEVOR[®]

TOUGH TOOLS, HALF PRICE

Technical Support and E-Warranty Certificate www.vevor.com/support

ICE SHAVER

INSTRUCTION MANUAL

MODEL:BY-300XTD-S

We continue to be committed to provide you tools with competitive price.

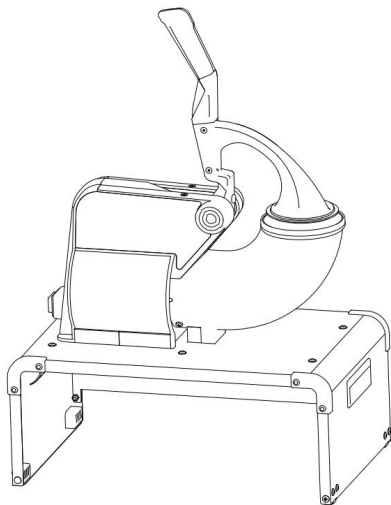
"Save Half", "Half Price" or any other similar expressions used by us only represents an estimate of savings you might benefit from buying certain tools with us compared to the major top brands and does not necessarily mean to cover all categories of tools offered by us. You are kindly reminded to verify carefully when you are placing an order with us if you are actually saving half in comparison with the top major brands.

VEVOR®

TOUGH TOOLS, HALF PRICE

ICE CRUSHER

MODEL:BY-300XTD-S







NEED HELP? CONTACT US!

Have product questions? Need technical support? Please feel free to contact us:

✉ CustomerService@vevor.com

This is the original instruction, please read all manual instructions carefully before operating. VEVOR reserves a clear interpretation of our user manual. The appearance of the product shall be subject to the product you received. Please forgive us that we won't inform you again if there are any technology or software updates on our product.

Symbol	Symbol Description
	<p>Warning - To reduce the risk of injury, user must read instructions manual carefully.</p>
	<p>This symbol, placed before a safety comment, indicates a kind of precaution, warning, or danger. Ignoring this warning may lead to an accident. To reduce the risk of injury, fire, or electrocution, please always follow the recommendation shown below.</p>
	<p>Statement: This device complies with Part 15 of the FCC Rules. Operation is subject to the following two conditions:(1)This device may not cause harmful interference, and (2)this device must accept any interference received, including interference that may cause undesired operation.</p>
	<p>Correct Disposal: This product is subject to the provision of European Directive 2012/19/EC. The symbol showing a wheeled bin crossed through indicates that the product requires separate refuse collection in the European Union. This applies to the product and all accessories marked with this symbol. Products marked as such may not be discarded with normal domestic waste, but must be taken to a collection point for recycling electrical and electronic devices.</p>

Important Assurance



WARNING: Before operating this device, please read this instruction manual completely and keep it handy for future reference.

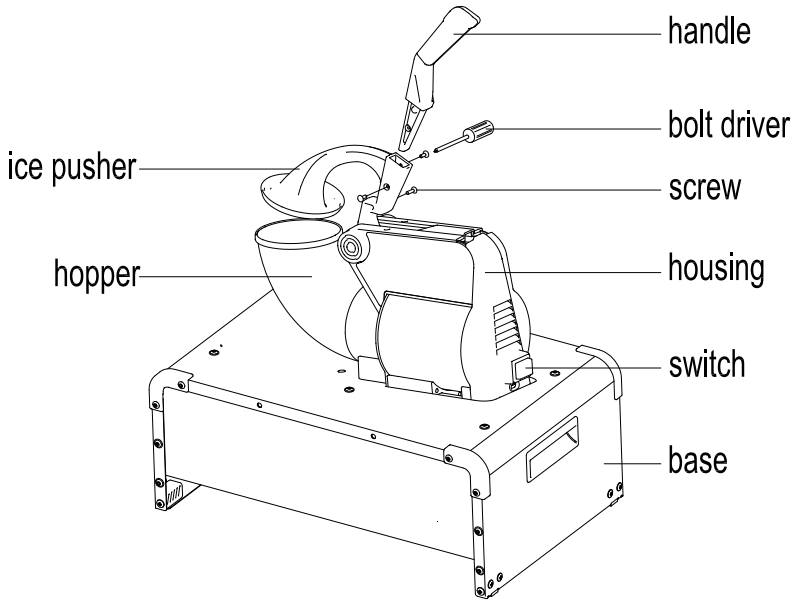
Always follow basic safety precautions when using these devices. These include:

- 1. READ ALL OPERATING INSTRUCTIONS AND PRODUCT SAFETY LABELS! FAILURE TO FOLLOW ALL INSTRUCTIONS MAY RESULT IN SERIOUS INJURY OR PROPERTY DAMAGE!**
- 2. CHECK FOR DAMAGED PARTS:** Before using the machine, check whether all parts work normally and perform the expected functions. Check for alignment, binding, and installation of moving parts. And any other conditions that may affect the operation. Call the Customer Service number in this manual if any parts are damaged.
3. Always unplug the power cord from the outlet when not in use before removing parts or accessories and cleaning.
4. This appliance can be used by children aged from 8 years and above and persons with reduced physical, sensory or mental capabilities or lack of experience and knowledge if they have been given supervision or instruction concerning use of the appliance in a safe way and understand the hazards involved. Children shall not play with the appliance. Cleaning and user maintenance shall not be made by children without supervision.
- 5. NEVER LEAVE THE MACHINE UNATTENDED WHILE IT IS RUNNING!**
- 6. Wait until all moving parts have stopped and turned off power before removing any part from the machine.**
- 7. DO NOT** operate any other electrical equipment with a damaged cord or plug or after the unit malfunctions. **DO NOT ATTEMPT TO REPLACE THE CORD.** Call Customer Service to arrange to return the machine for examination, repair, or adjustment.
- 8. DO NOT** use outdoors. This product is intended for **INDOOR USE ONLY.**
- 9. DO NOT** pull the power cord to disconnect.
10. Keep the appliance and power cable away from heat sources and hot surfaces. The extension cord is not recommended to avoid overheating or fire. Always plug directly into a grounded wall receptacle.

11. Place the machine on a firm and stable surface. Ensure that the machine is not placed near the edge of the worktop, where it can be easily pushed off or fall.
12. Always protect the power cable from undue flexing and wearing – do not allow the cable to hang off edge of the counter or table.
13. To reduce the risk of unintentional starting, check that the control is OFF before plugging the cord into wall outlet. Turn the controller off to disconnect, then remove the plug from the wall outlet.
14. **NEVER** plug the machine in where water may flood the area.
15. The ice shaver must be installed correctly before use.
16. The ice tray must be installed well before operating the machine.
17. The use of attachments or parts not specifically recommended or sold by the manufacturer for this grinder will void the warranty and may cause fire, electric shock or injury.
18. **DO NOT** use the machine for other than intended use. This ice shaver is intended to be used for commercial and similar applications such as:
 - staff kitchen areas in shops, offices and other working environments;
 - by clients in hotels, motels and other residential type environments; bed and breakfast type environments.
19. The Manufacturer disclaims any responsibility in the case of improper use of the machine. Improper use of the machine voids the warranty.
20. **DO NOT REMOVE WARNING LABELS FROM THE MACHINE.** Doing so will void the product warranty and may result in serious personal injury.
21. This appliance must be grounded to protect the operator from electrical shock. This machine uses a grounded, three prong plug that should be connected directly to a grounded 120V(US)/230V(EC), three prong grounded wall outlet receptacle. Grounded plugs are used on metal-encased electric appliances to protect from an electric shock. **DO NOT** change or alter the plugin anyway. **NEVER** break off a grounding prong from a 3-conductor plug. Doing so voids the warranty and may result in electric shock.
22. Type Y attachment: If the supply cord is damaged, it must be replaced by the manufacturer, its service agent or similarly qualified persons in order to avoid a hazard.

SAVE THESE INSTRUCTION!

Rough Diagram



Handle assembly

1. Place the handle on the top.
2. Screw them together.

Accessories

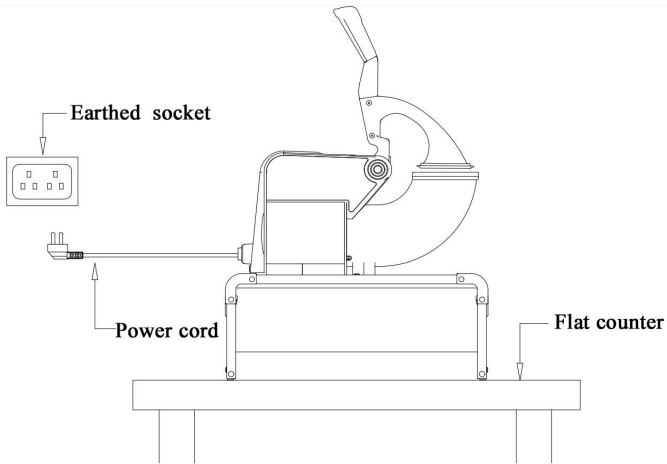
Handle*1 Screw*4 Screw drive*1 Ice shovel*1 basin*1

Technical Parameter

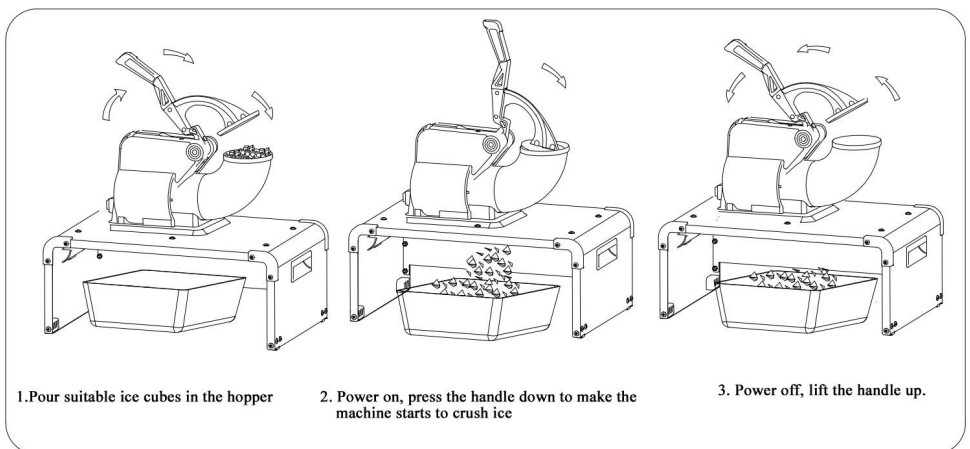
Ratings	Capacity	Size
AC120V/60Hz 300W 2.6A	≥250KG/H	L*W*H: 575x310x480mm
AC220-240V 50/60Hz 350W		

Operation Instructions

1. Install the ice shaver like as below



2. Find a flat location for the appliance where it's protected from direct sunlight and other heat sources (i.e., stove, furnace, radiator). Place the appliance on a level surface. Ensure at least 15cm of space between the back and sides of the appliance and the wall. Don't place anything on the appliance.
3. The appliance must be positioned where the plug is accessible.
4. Operate the machine follow the steps as below:





This machine can only be used to shave ice. This machine is suitable for shaving small ice cubes with a side length of no more than 2-3CM. Large ice cubes may cause the machine to jam or even burn out the motor.

WARNING:

The blade is very SHARP and operates with care.

Don't pour water directly into the hopper and the feed to clean, which will cause an electrical short circuit and increase the risk of a short circuit or electric shock.

Unplug the ice shaver before cleaning.

The use of any appliance must follow basic guidelines, in particular:

A high-humidity environment will increase the risk of short circuits or electric shock.

If in doubt, cut off the power of the ice shaver.

Turn off the machine by the switch, then pull the plug from the outlet.

Children or disabilities cannot use the ice shaver without adult supervision.

Clean and Maintenance

1. Before cleaning or maintenance operations, ensure the mains switch is off, and the supply plug is disconnected from the mains. Accurately clean the equipment and the discs daily for the correct operation and life of the equipment.

2. After each use, it is necessary to ensure the blade is clean. The clean water can be washed so the blade remains clean and is not corrupted. The service life of the blade is prolonged.

3. Cleaning of internal and external parts

Note: Unplug the power plug before performing any cleaning or maintenance procedures. Do not use alcohol to clean the ice shaver, as this may cause plastic parts to crack.

4. Exterior

Use a clean, soft cloth to wipe the outside of the ice shaver after each use, and then use a damp cloth moistened with a neutral detergent to remove grease or other impurities.

5. Crushed Ice container cleaning (after each use)

Immerse the container in a mixture of neutral detergent and water for at least 3 minutes, then rinse with water and dry.

6. The blade belongs to the natural wear part of the equipment. After cutting a certain time and quantity of ingredients, the blade will be worn. It is necessary to timely purchase the blade with the corresponding specification for replacement (Improper operation or cutting too hard ingredients will also damage the blade).

7. Periodically check whether there is a loose set screw, timely tighten the screw, and maintain the machine.

8. Should the machine be idle for a long time, disconnect the main wall switch and clean the machine and its accessories accurately.

Common Malfunction Analysis

Issues	Check items	Possible causes	solutions
Don't work	Power cord	Don't plug in or damaged	Plug in or replace the power cord
	Socket	Socket is out of shape	Change another socket
	Motor	Motor burnt	Replace the motor
	Power supply	Power switch damaged	Replace the switch
		Low voltage or no power	Contact power supply department
	Micro switch	Micro switch damaged	Replace the micro switch

MADE IN CHINA

VEVOR[®]

TOUGH TOOLS, HALF PRICE

Technical Support and E-Warranty Certificate

www.vevor.com/support