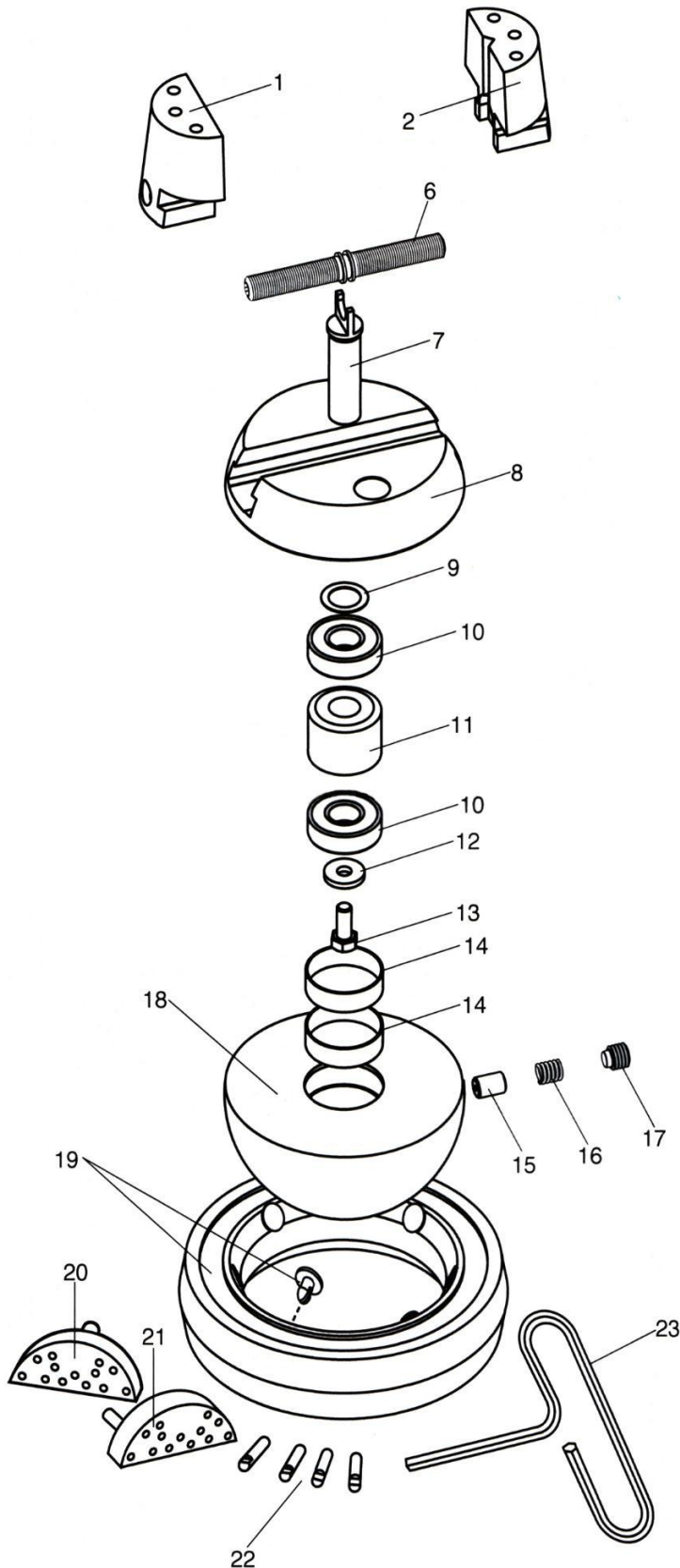


# Standard Block Ball Vise For Engraving and Jewelry Making

PARTS LIST • #003-530



## Standard Block Ball Vise Complete Assembly #003-530

| PART # | DESCRIPTION                               |
|--------|---|
| 1      | 003-073 Jaw - Right Hand                  |
| 2      | 003-074 Jaw - Left Hand                   |
| 6      | 003-070 Screw Post                        |
| 7      | 003-213 Post                              |
| 8      | 003-210 Block Crown S.S.                  |
| 9      | 022-180 Washer                            |
| 10     | 022-181 Bearing 6203ZZ                    |
| 11     | 003-214 Spacer                            |
| 12     | 002-214 Washer - 0.312" x 0.859" x 0.125" |
| 13     | 003-265 5/16-18 x 3/4" Flange Head        |
| 14     | 022-182 Tolerance Ring                    |
| 15     | 003-211 Lock Pin                          |
| 16     | 003-212 Spring                            |
| 17     | 003-067 1/2 - 13 x 1/2 SSS Flt Pt HF Dog  |
| 18     | 003-215 Block Base S.S.                   |
| 19     | 003-529 Tire Assembly                     |
| 20     | 003-526 Pin Plate - 1 pin                 |
| 21     | 003-527 Pin Plate - 2 pin                 |
| 22     | 003-015 Jaw Pin - 1/4"                    |
| 23     | 002-091 Wrench - 1/4" T-Handle Hex        |

### Ring Clamps

These leather-faced ring clamps let GRS ball vises hold rings securely from the outside so you can set stones, bright cut, engrave and finish them using your block. These clamps also come with the 30-Piece Attachment Set. Includes two clamps.



# Standard Block Ball Vise For Engraving and Jewelry Making

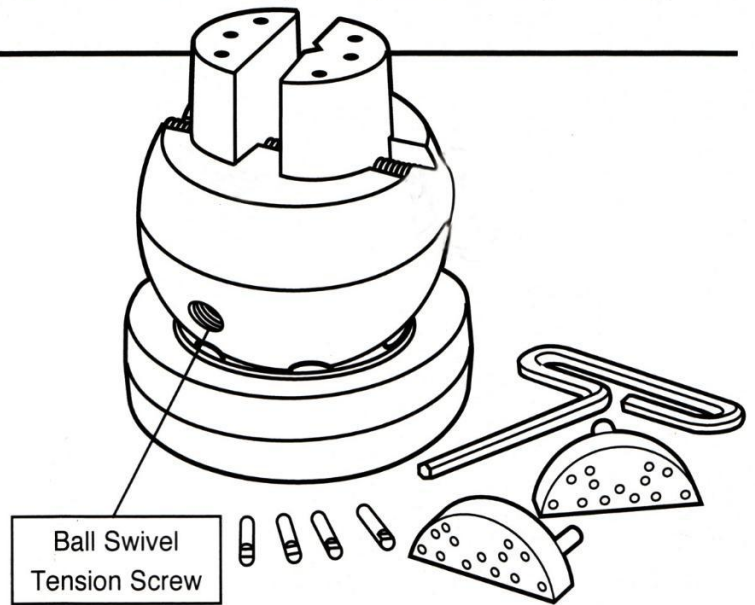
INSTRUCTIONS • #003-530

Standard Block will provide many years of trouble-free service. It is extremely rugged in construction, yet is relatively simple and easy to maintain. Lubrication required is minimal.

The jaw adapter plates are drilled to accept engraving block attachments. offers a 30-piece attachment set (#003-520) that includes storage for the adapter plates and pins that come with the block.

## Maintenance

Based on usage, open jaws fully and clean any dirt and metal pieces from the threads. After cleaning, apply a small amount of light oil to the threads.



## Vise Jaw Thread Replacement • #003-627 & #003-628

Overtightening the jaws will cause wear and damage to the threads. If jaws become loose, replace with kit #003-627. Remove the jaws by opening them as wide as possible until they come off the end of the jaw screw (**FIG. 1**). The jaw thread pin is located on the under side of each jaw. NOTE: Before removing pins, locate the one with the "L". This is the left hand thread pin and will need to be replaced with the same. Apply a small amount of grease (included in kit) to the O-rings and jaw screw before installing them. Lift the jaw screw out of the yoke that it rotates in and replace it. Note which side the left hand thread is on. Grease the threads and yoke well.

*Now, the hard part:* you must start the jaws threads at the same time when replacing them (**FIG. 2**). Hold each jaw in position and turn the jaw screw to close them. Either a large rubber band or a second person is useful to help turn the jaw screw while you hold the jaws against the thread. If the jaws don't meet at the same time in the center, remove them and try starting the threads at the same time again.

## Rotational Lock Replacement

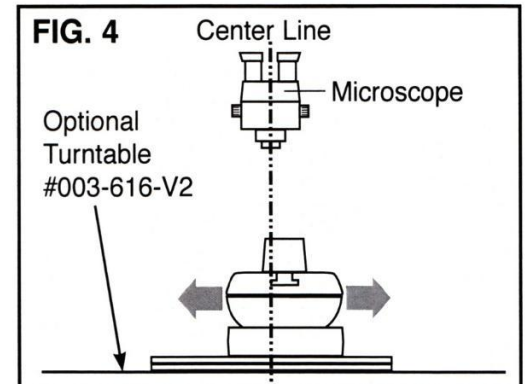
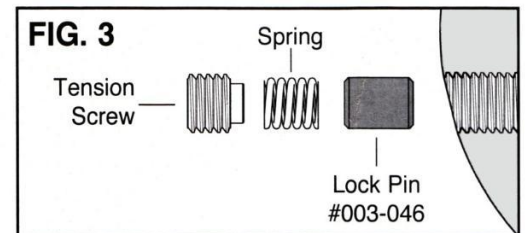
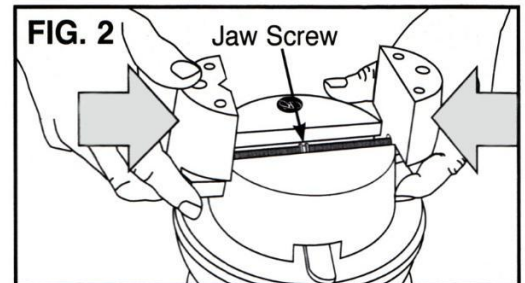
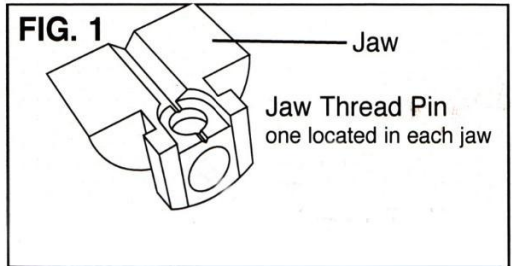
The LOCK or DRAG PIN is subject to much wear and may need to be replaced after extended use. Simply remove the ball swivel tension screw with the hex wrench. The spring and Lock Pin should follow (**FIG. 3**); if not, turn the ball until they fall out. Replace the Lock Pin (#003-046), Spring, and Tension Screw.

## Turntable Base For Microscope Work • #003-616-V2

To use the Turntable Base, lock the vise by tightening the swivel tension screw until the ball will not turn. The turntable now becomes your rotation, allowing you to adjust the work's center of rotation into the field of view of the microscope. Align the center of the turntable with the center of the microscope view (**FIG. 4**). Change working views by repositioning the vise.

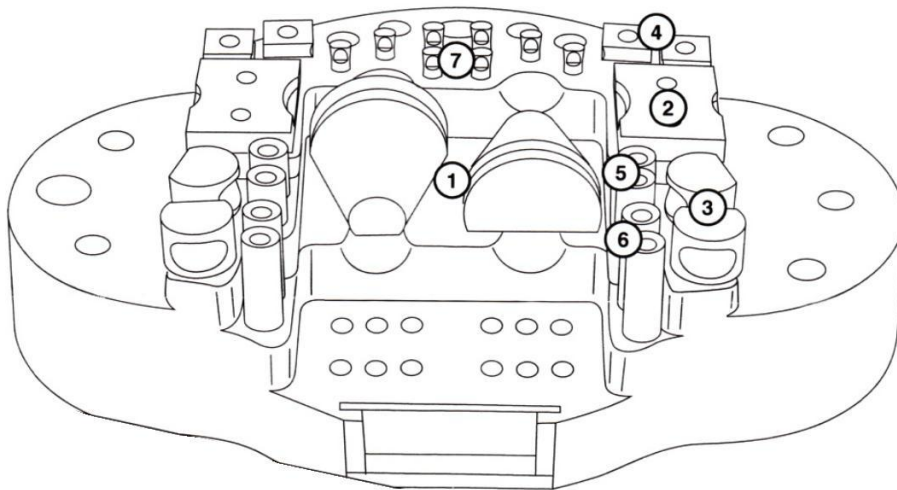
## Thread Pin Replacement Kit • #003-627

(Not Shown). Includes Jaw Screw, Left and Right Thread Pins, O-Rings, and Tube of Grease.



# INSTRUCTION

With a variety of pins that fit the upper jaw plates of every block, users can now instantly solve work holding problems and start working sooner. Including 8 small pins, 4 flat square pins, 2 rectangular inset-curve pins, 4 thick round inset pins, 8 rubber-coated pins, and 2 leather-faced ring clamp pins in molded base.



| PART # | DESCRIPTION                        | QTY. |
|--------|------------------------------------|------|
| 1      | Ring clamp assembly                | 2    |
| 2      | Attachment plate #3 assembly       | 2    |
| 3      | Attachment plate #2 assembly       | 4    |
| 4      | Attachment plate #1 assembly       | 4    |
| 5      | Attachment pin #3 assembly (short) | 4    |
| 6      | Attachment pin #2 assembly (long)  | 4    |
| 7      | Formed complete attachment pin #1  | 8    |

Manufacture: Jiaxing Taishi Machinery & Equipment Co., Ltd  
Address: Room 402, Fazhang building, No. 159 Qinjian Road.  
Jiaying City, Zhejiang Province, China Tel: +86 057382826352