

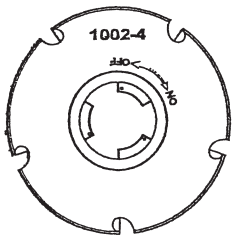
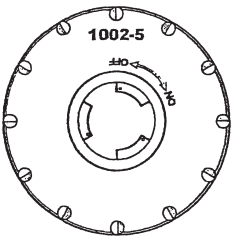
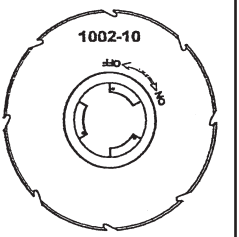
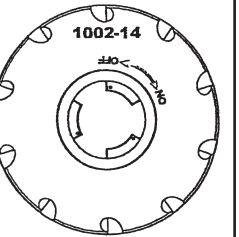
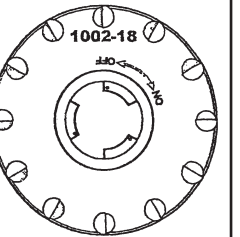
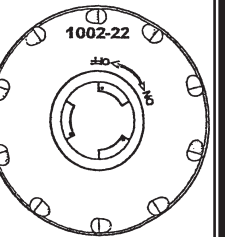
## Seed Plate Guide

This is a list of all the seed plates currently produced for the Precision Garden Seeder.

### Information:

- ☑ The Precision Garden Seeder will travel 36"/91.4cm for one revolution of the seed plate.
- ☑ Custom seed fitting can be easily accomplished by partially filling the seed cups of a larger seed plate using bees wax. Spacing changes can be made by filling the seed cup fully with bees wax to get the desired spacing.
- ☑ If you have problems with small seeds getting behind the seed plate, dip the seed plate in soapy water then let air dry. This should solve your problem.

## STANDARD SEED PLATES

|  |   |  |  |   |   |
|--|---|--|--|---|---|
|              |  |                       |  |  |  |
| <b>18100 Sweet Corn</b>  | <b>18101 Radish</b>   | <b>18102 Carrot</b>  | <b>18103 Beans</b>   | <b>18104 Peas</b>   | <b>18105 Beet</b>   |
| 7.2" Spacing / 18.3cm  | 3" Spacing / 7.6cm  | 4.5" Spacing / 11.4cm  | 3.6" Spacing / 9.1cm   | 3" Spacing / 7.6cm  | 3.6" Spacing / 9.1cm  |
| Will plant most varieties of sweet corn as well as some other larger seed types 0.375" / 9.5mm | Will plant some leek, asparagus, spinach and other fine seeds 0.175" / 4.4mm.       | Will plant some lettuce, turnip, endive, cabbage, onions, tomatoes, and other fine seeds 0.125" / 3.2mm. | Will plant some small peas 0.450" / 11.4mm.  | Will plant some Jumbo and Early June Peas 0.562" / 14.3mm.                            | Will plant some Okra, Swiss Chard, and other medium seeds 0.250" / 6.3mm.             |

# PRECISION GARDEN SEEDER

## OPERATION

1. You will find one seed plate in place in the hopper, the rest in the box. **A.** To remove the plate, hold pulley and belt stationary with one hand and rotate the seed plate approximately 1/2" in the "OFF" direction as indicated by an arrow on the seed plate. **B.** Push the seed plate off the hub through the hole just above the pulley. It will slip off easily.
2. To select the desired seed plate, see the SEED PLATE GUIDE if the seed is of similar size and shape as those listed. It is best to experiment before planting. If more distance is desired between seeds, place a piece of masking tape over, or fill with bees wax every other hole or as required in the seed plate.
3. To install the desired seed plate, hold the seed plate at an angle with the bottom against the straight wall in the seed hopper. Line up the slots against the inside of the seed hopper and rotate it approximately 1/2" in the "ON" direction as indicated by the arrow on top of the hopper until the cam action locks the seed plate in place on the hub. Do not force. OFF or ON directions are also indicated on the seed plates.
4. Pour seeds in the seed hopper. **CAUTION:** Do not fill the hopper above the center of the seed plate. **NOTE:** All the seed, especially small seed, will not be picked up by the plates leaving a small amount in the bottom of the hopper. Tilt the seeder to the right as you move down the row to help remove most of the seed if required.
5. Next set the adjustable planting depth with the wedge-shaped ground opener located directly under the hopper. **NOTE:** There are graduations in both inches and millimeters on the front angles of the seed chute. Move ground opener until top edge is in line with desired planting depth. Retighten wing nut after adjustment is made. Check the depth by moving the seeder forward a few inches in soft soil, readjust if necessary.
6. Mark out the first row with string and stakes. Lower the row marker shaft and adjust the row marker to the proper width for the next row. Lift the kick stand over the Front wheel. Be sure the cover chain follows behind the ground opener. You are now ready to plant.
7. To empty any remaining seeds, lower the kick stand and tip the seeder forward until all seeds are removed. **NOTE:** When changing seed plates, be sure the seed hopper is completely empty.

**NOTICE:** Keep your seed hopper clean and free from dust, sand, dirt and seed treating materials.

## MAINTENANCE

1. Any accumulation of dust, dirt, or residue from chemically treated seeds in the seed hopper should be wiped out with a cloth after each use. A build up of dirt may cause the seed plate to stick and seeds to pop out.
2. Under certain conditions static electricity may build up on the seed hopper and interfere with planting fine seeds. If this situation should occur, wash the seed hopper and the seed plate with a mild dish washing detergent, and allow to dry.