

VEVOR[®]

TOUGH TOOLS, HALF PRICE

Technical Support and E-Warranty Certificate www.vevor.com/support

INSTRUCTION MANUAL

MODEL:HB6089-UL

We continue to be committed to provide you tools with competitive price.

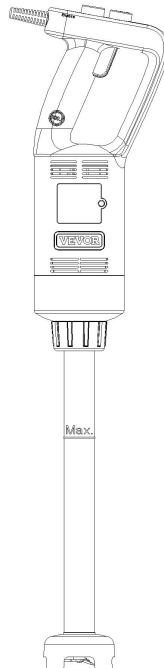
"Save Half", "Half Price" or any other similar expressions used by us only represents an estimate of savings you might benefit from buying certain tools with us compared to the major top brands and does not necessarily mean to cover all categories of tools offered by us. You are kindly reminded to verify carefully when you are placing an order with us if you are actually saving half in comparison with the top major brands.

VEVOR®

TOUGH TOOLS, HALF PRICE

Commercial Blender

MODEL:HB6089-UL



NEED HELP? CONTACT US!

Have product questions? Need technical support? Please feel free to contact us:

 CustomerService@vevor.com

This is the original instruction, please read all manual instructions carefully before operating. VEVOR reserves a clear interpretation of our user manual. The appearance of the product shall be subject to the product you received. Please forgive us that we won't inform you again if there are any technology or software updates on our product.



Warning-To reduce the risk of injury, user must read instructions manual carefully.

IMPORTANT SAFEGUARDS

Before using the electrical appliance, the following basic precautions should always be followed including the following:

1. Read all instructions.

Before using it, check that the voltage of the wall outlet corresponds to the one shown on the rating plate.

2. Do not operate any appliance with a damaged cord or plug or after the appliance malfunctions, or is dropped or damaged in any manner. Return appliance to the nearest authorized service facility for examination, repair or electrical or mechanical adjustment.

3.If the supply cord is damaged, it must be replaced by the manufacturer, an authorized service agent, or a qualified technician to avoid a hazard.

4. Always disconnect the blender from the supply if left unattended before assembling, disassembling, or cleaning.

5. Do not let cord hang over edge of table or hot surface. Be careful not to trip over the long power cord when using the appliance.

Do not immerse the upper part of the blender in water, as this would give rise to electric shock.

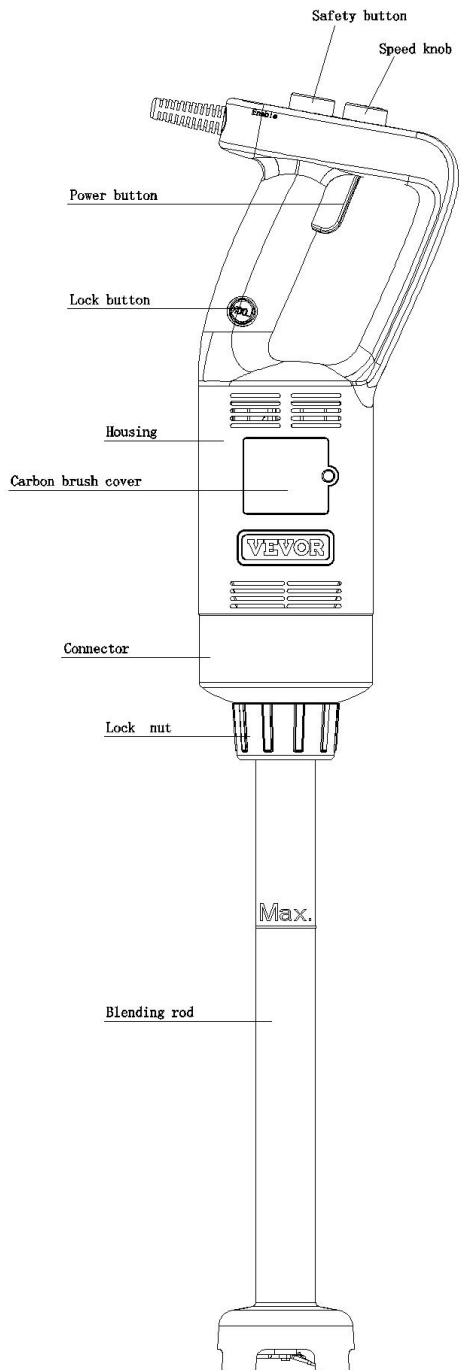
6. Avoid contacting moving parts.

7. Using accessories not recommended by the manufacturer may cause injuries to persons.

8. Do not operate the appliance for other than its intended use.
9. Avoid splashing the food into the vent holes of unit body during blending.
10. The blender must be used in a working environment that is far away from corrosive materials or oil pollution, and must be kept away from explosive and flammable materials.
11. The metal blades are extremely sharp Please handle it carefully.
12. Be careful of potential injury from misuse.
13. In the process of using the appliance, it is necessary to hold it with both hands, one hand holding the host handle, and the other hand holding the plastic connector.
14. Switch off the appliance and disconnect from supply before changing accessories or approaching parts that move in use.
15. Appliances can be used by persons with reduced physical, sensory or mental capabilities or lack of experience and knowledge if they have been given supervision or instruction concerning use of the appliance in a safe way and if they understand the hazards involved.

SAVE THESE INSTRUCTIONS

KNOW YOUR COMMERICAL HAND BLENDER



TECHNICAL PARAMETER

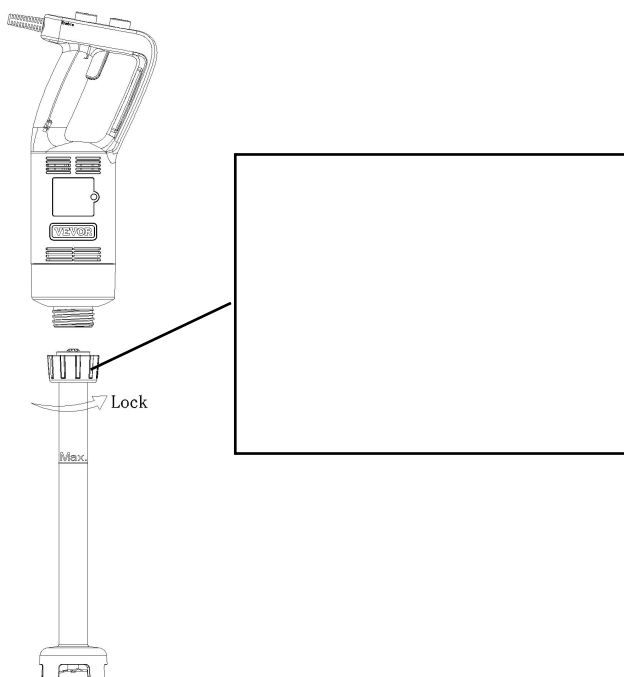
Model	Input	Rated Power	Tool length	Rotating speed (Min)	Rotating speed (Max)	Working noise
HB6089	120V~60Hz	500W	12 inch	4000 RPM/Min	18000 RPM/Min	≤85dB (A)
HB6089	AC220-240V; 50Hz	500W	12 inch	4000 RPM/Min	18000 RPM/Min	≤85dB (A)
HB6089	120V~60Hz	500W	20 inch	4000 RPM/Min	18000 RPM/Min	≤85dB (A)
HB6089	AC220-240V; 50Hz	500W	20 inch	4000 RPM/Min	18000 RPM/Min	≤85dB (A)
HB6089	120V~60Hz	750W	12 inch	8000 RPM/Min	20000 RPM/Min	≤85dB (A)
HB6089	AC220-240V; 50Hz	750W	12 inch	8000 RPM/Min	20000 RPM/Min	≤85dB (A)
HB6089	120V~60Hz	750W	16 inch	8000 RPM/Min	20000 RPM/Min	≤85dB (A)
HB6089	AC220-240V; 50Hz	750W	16 inch	8000 RPM/Min	20000 RPM/Min	≤85dB (A)
HB6089	120V~60Hz	750W	20 inch	8000 RPM/Min	20000 RPM/Min	≤85dB (A)
HB6089	AC220-240V; 50Hz	750W	20 inch	8000 RPM/Min	20000 RPM/Min	≤85dB (A)

ATTACHING AND DETACHING OF BLENDING ROD

Before attaching and detaching operation, it must be ensured that the appliance stops working and its mains plug is unplugged.

How to attach:

1. Insert the blending rod into the threaded inner hole of the unit body. When inserting, Align the slot of the connector with the ribs of the square aluminum cover to ensure that the connector is inserted in place.
2. Tighten the lock nut to fix the blending rod firmly onto the body.



How to detach:

1. Loosen the lock nut.
2. Pull out the blending rod.

USING YOUR BLENDER

Before the first use, clean the blender according to the section of "QUICK CLEANING".

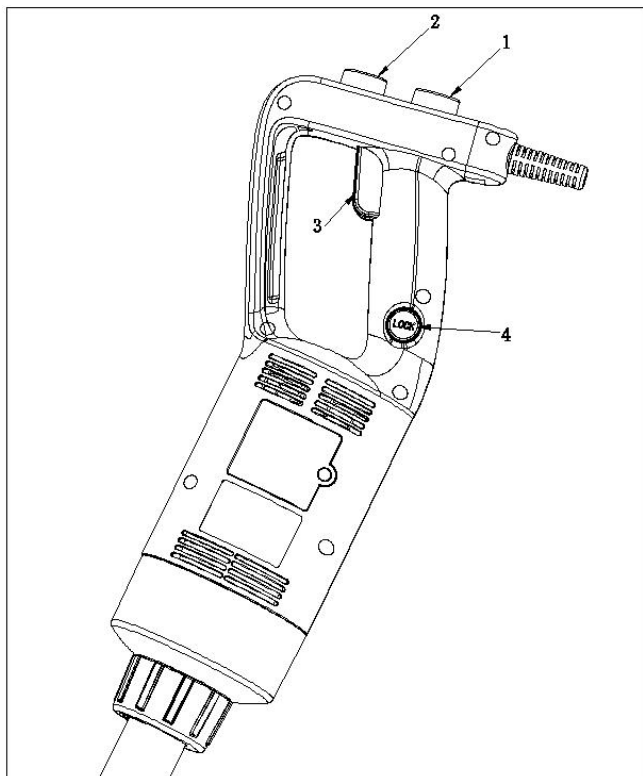
The time running unit without load can't exceed 20s.

IMPORTANT: Blades are very sharp; handle them with care. Ensure that the hand-held blender is unplugged from the power outlet before installing or removing attachments.

OPERATION METHOD

GETTING STARTED AND STOPPED

1. Check that the power button (3) is released.
2. Install the blending rod.
3. Connect the main unit to the power source.
4. Press the safety button (1) and proceed to the next step within 5s. If the unlocking fails after 5s, press the safety button (1) again.
5. Press the power button (3) to start the hand blender (working time per cycle ≤ 3 minutes, interval time between two cycles ≥ 1 minute).
6. Release the power button (3), and the machine will stop automatically.



Continuous operation instruction

After completing steps 1-5 above, proceed to the following steps:

1. Press the lock button (4) when the power button (3) is pressed down, and the red indicator lights up.
2. Release the power button (3) at this time, the hand blender will continue to work.
3. Press the power button (3) again, and the appliance stops, and the red indicator is turned off

Speed adjusting instruction

After completing steps 1-5 above, proceed to the following steps:

1. Rotate the speed knob (2) to the desired speed setting

NOTE:

In order to better control the hand blender, it is recommended to hold the handle and the bottom of the body. In addition, tilting the machine at a slight angle is recommended to prevent the bell-shaped housing from touching the bottom of the container. The ingredients in the container shall not exceed the MAX height of the blending rod. Avoid splashing the food into the vent holes of unit body during blending.

CLEANING AND MAINTENANCE METHODS

1. Unplug the appliance and remove the detachable blending rod.
2. Wash the detachable blending rod under running water without using an abrasive cleaner or detergents. After cleaning the detachable blending rod, place it upright so that any water that may have gotten in can be drained. The blending rod is a dishwasher-safe component.
3. Wipe the motor unit with a damp cloth. Never immerse it in water for cleaning, as an electric shock may occur.
4. Dry thoroughly.

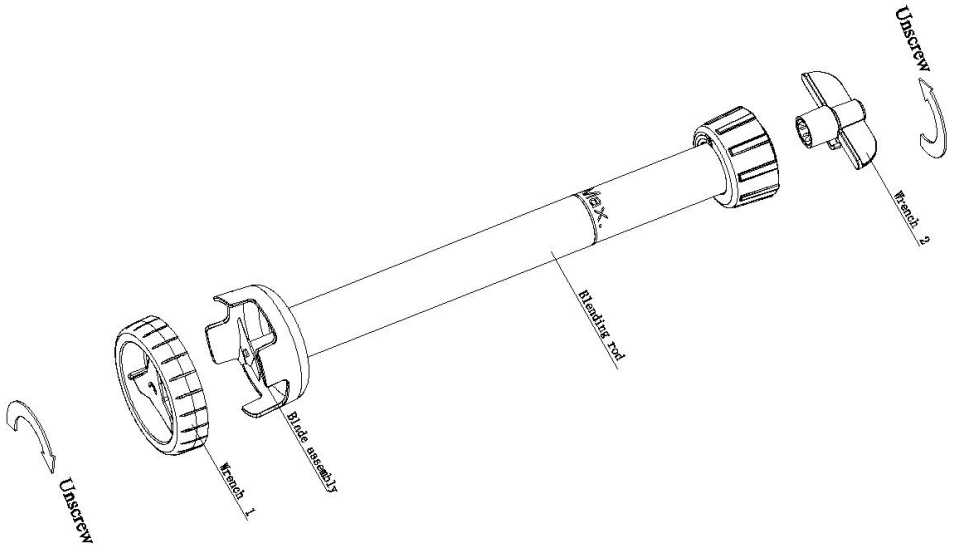
QUICK CLEANING

Between processing tasks, hold the hand-held blender in the container half filled with water and turn on for a few seconds.

CAUTION: Blades are very sharp; handle them with care.

REMOVAL/INSTALLATION OF BLADE ASSEMBLY

1. Align the blade assembly with wrench 1 and insert into it.
2. Align the blending head slot with wrench 2 and insert into it.
3. Unscrew clockwise to remove the blending rod.



FAULT ANALYSIS

Fault Phenomenon	Cause Analysis	Exclusion Methods
Indicator light is not on	The power cord is not plugged in.	1.Check the power cord to make sure it is plugged in.
Indicator Light on Product Inoperative	1.Long working hours, motor overheat protection. 2.The machine itself is out of order.	1.Wait an hour before reusing 2.Send to after-sales service department.

Note:

Above are common trouble analysis and troubleshooting methods. For other troubles, please contact our customer service department, or go directly to our designated repair point for repair. Do not dismantle and repair yourself.

Address:**Manufacturer:****Made In China**

VEVOR[®]

TOUGH TOOLS, HALF PRICE

Technical Support and E-Warranty Certificate

www.vevor.com/support