

# **VEVOR<sup>®</sup>**

**TOUGH TOOLS, HALF PRICE**

Technical Support and E-Warranty Certificate [www.vevor.com/support](http://www.vevor.com/support)

## **MECHANICAL HAND-HELD PIPE DREDGER USER MANUAL**

Model: RC-2005F

We continue to be committed to provide you tools with competitive price. "Save Half", "Half Price" or any other similar expressions used by us only represents an estimate of savings you might benefit from buying certain tools with us compared to the major top brands and does not necessarily mean to cover all categories of tools offered by us. You are kindly reminded to verify carefully when you are placing an order with us if you are actually saving half in comparison with the top major brands.

# VEVOR®

TOUGH TOOLS, HALF PRICE

## Mechanical Hand-Held Pipe Dredger

Model: RC - 2005F



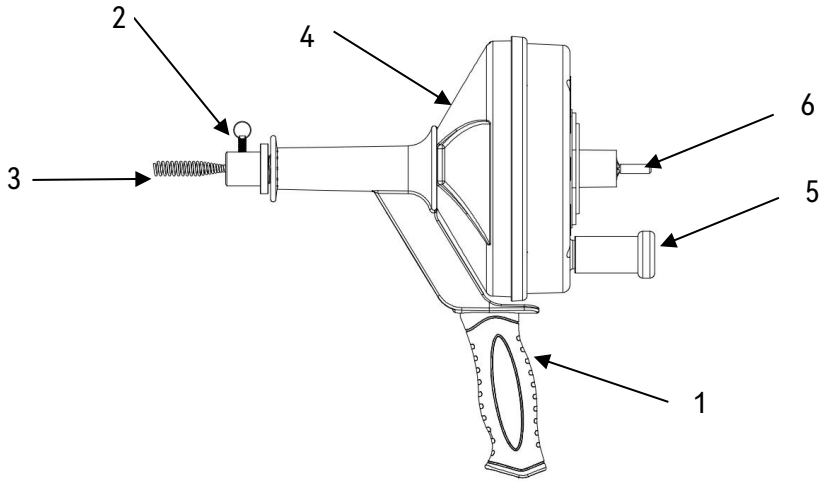
Please read these operating instructions carefully  
before starting to work.

### NEED HELP? CONTACT US!

Have product questions? Need technical support? Please feel free to contact us:

 [CustomerService@vevor.com](mailto:CustomerService@vevor.com)

This is the original instruction, please read all manual instructions carefully before operating. VEVOR reserves clear interpretation of our user manual. The appearance of the product shall be subject to the product you received. Please forgive us that we won't inform you again if there are any technology or software updates on our product.

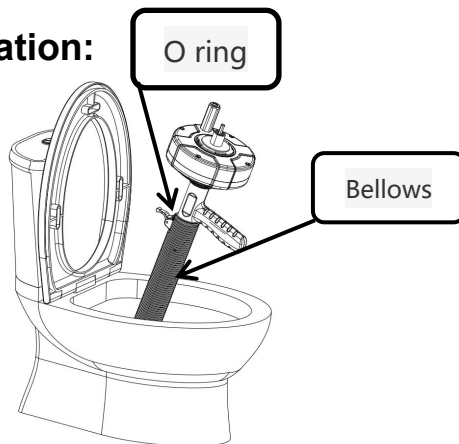


|                       |                    |
|-----------------------|--------------------|
| 1. Tool Handle        | 4. Storage Chamber |
| 2. Anti-rotation Bolt | 5. Crank Handle    |
| 3. Cleaning Spring    | 6. Drill Adaptor   |

## Application:

Kitchen and bathroom plumbing: wash basins, sink, toilets and floor drains.

## Manual Operation:



1. Hold the tool handle and press [ Figure 1] .
2. Pull the cleaning spring out of the pantry. And insert it into the tube until you feel resistance. Always keep a 20-30cm spring between the drain drain clog remover and the pipe opening.
3. Turn the wrench to the upright position. Four.
- 4.The crank according to the clockwise direction and turn to clean the spring.
5. After the blockage is cleared, the wrench is pulled back to the level and pulled manually back to the storage room. Repeat this process until the obstruction is removed.

### **Electric Drill Operation:**

1. Connect the dredger and drill as shown in Figure 2.
2. Pull the cleaning spring out of the pantry. And insert it into the pipe mouth.
3. Set the bit to a low torque setting to avoid injury.
4. Start the drill at a low speed and increase the rotation speed according to the blocking type. Warning: keep both hands away from the handle when using to remove the blockage and prevent the rotary bolt from loosening.
- 5.Manually pull the cleaning spring back into storage. Repeat this process until the obstruction is removed.



### **Caution**

Always tighten the anti-rotation bolt before turning the cleaning spring manually or with an electric drill.

Always point the spring away from the body whilst loosening the anti-rotation bolt.

When clearing blocked sinks, remove water filters and other objects.



Always wear gloves and eye protection when clearing drains.

We recommend that the cleaning spring is cleaned and left to dry before

storing back into the storage chamber for future use.

## Technical Data

|                   |               |
|-------------------|---------------|
| MODEL             | RC-2005F      |
| Feed mode         | Manual output |
| Cable length      | 25ft          |
| Diameter of cable | 6mm           |
| Cable type        | Hollow        |

**Address:** Baoshanqu Shuangchenglu 803long 11hao 1602A-1609shi  
Shanghai

**Imported to AUS:** SIHAO PTY LTD, 1 ROKEVA STREETEASTWOOD  
NSW 2122 Australia

**Imported to USA:** VEVOR STORE INC, 9448 RINCHMOND PL #E  
RANCHO CUCAMONGA, California, 91730 United States of America



Pooledas Group Ltd  
Unit 5 Albert Edward House,  
The Pavilions Preston, United Kingdom



SHUNSHUN GmbH  
Römeräcker 9 Z2021,76351  
Linkenheim-Hochstetten, Germany

**Made In China**



**VEVOR<sup>®</sup>**

**TOUGH TOOLS, HALF PRICE**

Technical Support and E-Warranty Certificate

[www.vevor.com/support](http://www.vevor.com/support)

Made In China