

VEVOR[®]

TOUGH TOOLS, HALF PRICE

Technical Support and E-Warranty Certificate
www.vevor.com/support

WORKBENCH TOP USER'S MANUAL

**Model: KLWT-01, KLWT-02, KLWT-03,
KLWT-04, KLWT-05, KLWT-06**

We continue to be committed to provide you tools with competitive price. "Save Half", "Half Price" or any other similar expressions used by us only represents an estimate of savings you might benefit from buying certain tools with us compared to the major top brands and does not necessarily mean to cover all categories of tools offered by us. You are kindly reminded to verify carefully when you are placing an order with us if you are actually saving half in comparison with the top major brands.

VEVOR[®]

TOUGH TOOLS, HALF PRICE

WORKBENCH TOP



NEED HELP? CONTACT US!

Have product questions? Need technical support? Please feel free to contact us:

Technical Support and E-Warranty Certificate
www.vevor.com/support

This is the original instruction, please read all manual instructions carefully before operating. VEVOR reserves a clear interpretation of our user manual. The appearance of the product shall be subject to the product you received. Please forgive us that we won't inform you again if there are any technology or software updates on our product.

GENERAL SAFETY RULES

⚠ WARNING Please read this user manual carefully!

1. Do not stand or step on this product. You may fall which may cause personal injury.
2. Please don't put the product beside a heating plant or fires, or pour hot water on it in case of fires, burns and deformation dangers.
3. Please do not contact this product with corrosive chemicals and sharp knives.
4. Do not expose this product to the sun for a long time.
5. Do not splash water or other liquids on the workbench top.
6. Do not pile hard-pointed objects on the workbench top to avoid damaging it.
7. Do not exceed the maximum load capacity.
8. Do not alter this product in any manner.

CAUTION: Carefully read instructions and procedures for safe operations.

SAVE THESE INSTRUCTIONS

MODEL AND PARAMETERS

Model	KLWT-01	KLWT-02	KLWT-03	KLWT-04	KLWT-05	KLWT-06
Workbench Top Size	55"×28"	60"×25"	55"×27.6"	63"×31.5"	70.9"×31.5"	78.7"×31.5"
Workbench Top Thickness	1"	1"	1"	1"	1"	1"
Maximum Load Capacity	220lbs	220lbs	220lbs	220lbs	220lbs	220lbs
Color(s)	White	White	Burly-wood	Burly-wood	Burly-wood	Burly-wood
Material	Chipboard	Chipboard	Chipboard	Chipboard	Chipboard	Chipboard

OPERATING INSTRUCTION

Installation Preparation:

1. Two or more people to move and assemble the workbench.
2. Please prepare a carpet or mat to protect your floor. You need to spread out all the accessories.
3. Please prepare gloves to avoid being scratched by sharp parts that may occur during installation.
4. Please open all the boxes to check that the accessories are complete and in good condition.
5. If you need to use power tools to install this product, please set the speed to low speed in advance.
6. When installing, please align all the holes and do not tighten all the screws first ; otherwise, it may make the installation difficult.

Installation:

STEP 1: Install the Workbench Top frame first.

STEP 2: Adjust the size spacing of the frame.

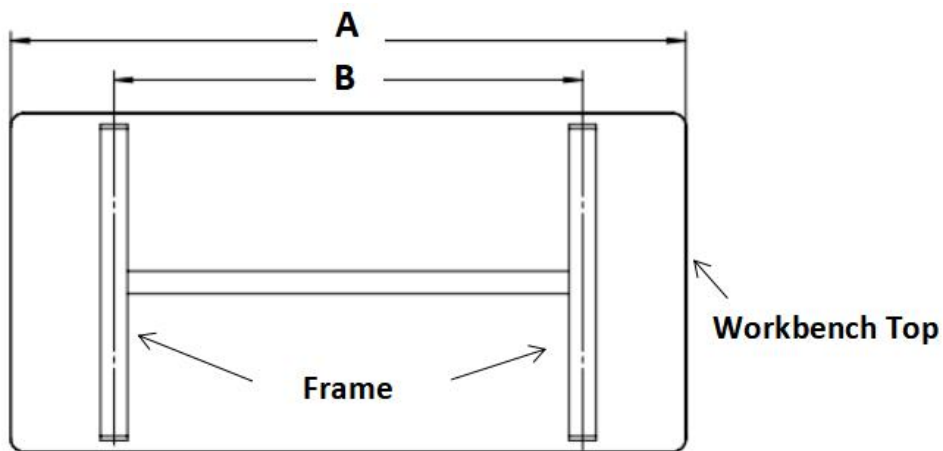
STEP 3:Place the selected Workbench Top in the middle of the Workbench Top frame.

STEP 4: Lock the table top with self-tapping nails.

NOTE:The length of the self-tapping nail should match the thickness of the frame and the workbench top;Don't go through the workbench top.

The following figure shows the common workbench top stands and installation. (Note: The workbench top does not include the frame.)

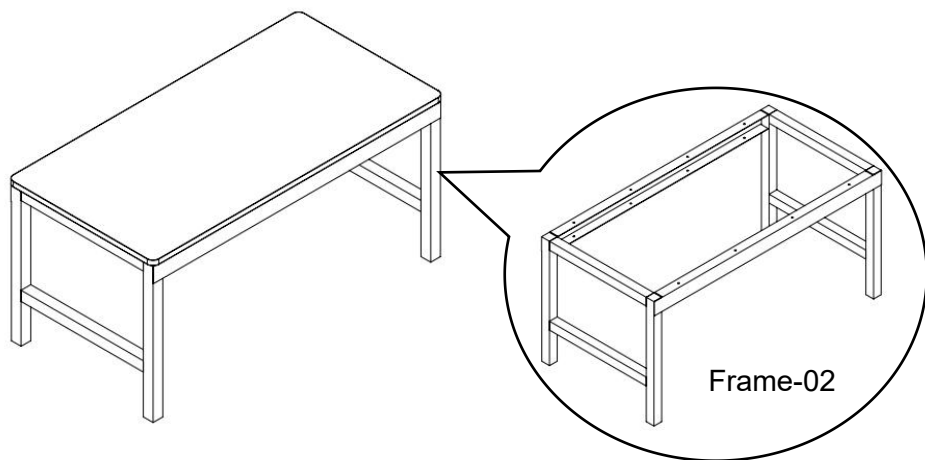
Style1: Install the workbench top on the electric stand-up desk frame.



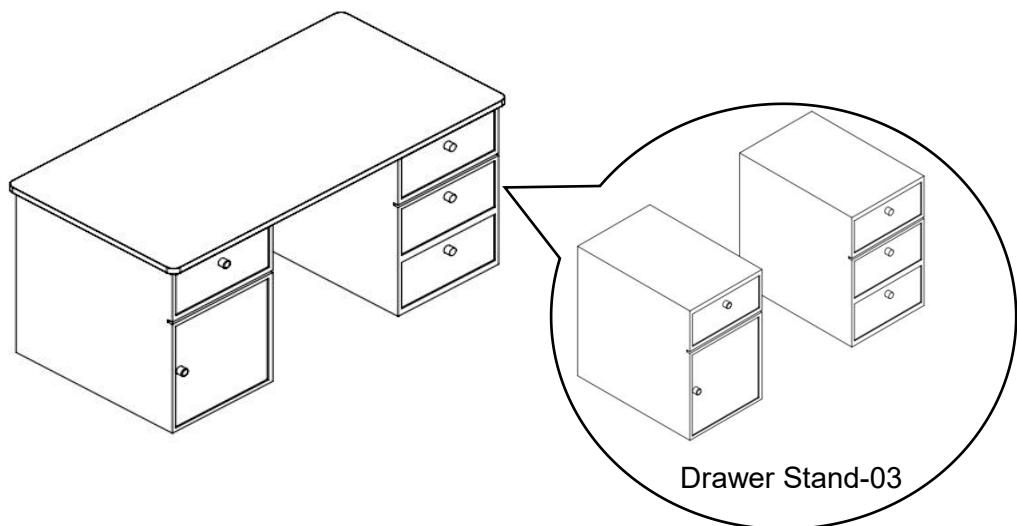
Bottom view

Tips: It is suggested that B is equal to 75~85 percent of A.

Style2: Install the workbench top on the fixed table stand.



Style3: Install the workbench top on the drawer stands.



MAINTENANCE

1. Please try to avoid putting wet items on the desktop.
2. Dust off regularly with a clean rag, and arrange items neatly on the desktop.
3. Don't let it sit in the sun for too long.
4. Check the table regularly to prevent screws from loosening and falling off.
5. Please store in a dry place; don't store in a damp place.

Address: Baoshanqu Shuangchenglu 803long 11hao 1602A-1609shi
Shanghai

Imported to AUS: SIHAO PTY LTD, 1 ROKEVA STREETEASTWOOD
NSW 2122 Australia

Imported to USA: Sanven Technology Ltd, Suite 250, 9166 Anaheim
Place, Rancho Cucamonga, CA 91730



SHUNSHUN GmbH
Römeräcker 9 Z2021, 76351
Linkenheim-Hochstetten, Germany



Pooledas Group Ltd
Unit 5 Albert Edward House, The
Pavilions Preston, United Kingdom

Made In China

VEVOR[®]

TOUGH TOOLS, HALF PRICE

Technical Support and E-Warranty Certificate

www.vevor.com/support