

VEVOR[®]

TOUGH TOOLS, HALF PRICE

Technical Support and E-Warranty Certificate www.vevor.com/support

PORTABLE MINI FRIDGE

MODEL: MFA-5L-GA

We continue to be committed to provide you tools with competitive price.

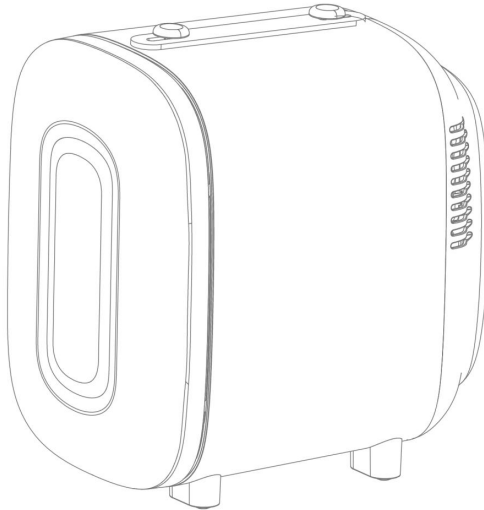
"Save Half", "Half Price" or any other similar expressions used by us only represents an estimate of savings you might benefit from buying certain tools with us compared to the major top brands and does not necessarily mean to cover all categories of tools offered by us. You are kindly reminded to verify carefully when you are placing an order with us if you are actually saving half in comparison with the top major brands.

VEVOR[®]

TOUGH TOOLS, HALF PRICE

PORTABLE MINI FRIDGE

MFA-5L-GA



NEED HELP? CONTACT US!

Have product questions? Need technical support? Please feel free to contact us:

 [**CustomerService@vevor.com**](mailto:CustomerService@vevor.com)

This is the original instruction, please read all manual instructions carefully before operating. VEVOR reserves clear interpretation of our user manual. The appearance of the product shall be subject to the product you received. Please forgive us that we won't inform you again if there is any technology or software updates on our product.

SAFETY INSTRUCTIONS

WARNING: Read all safety warnings, instructions, illustrations and specifications provided with this electrical appliances. Failure to follow all instructions listed below may result in electric shock, fire and/or serious injury.

SAVE THESE INSTRUCTIONS for future reference.


WARNING:

1. This appliance is not intended for use by persons (including children) with reduced physical, sensory or mental capabilities, or lack of experience and knowledge, unless they have been given supervision or instruction concerning use of the appliance by a person responsible for their safety.
2. Children should be supervised to ensure that they do not play with the appliance.
3. Do not store explosive substances such as aerosol cans with a flammable propellant in this appliance.
4. Suitable for camping use.
5. The appliance shall not be exposed to rain.
6. If the supply cord is damaged, it must be replaced by the manufacturer or its service agent or a similarly qualified person in order to avoid a hazard.
7. This appliance is intended to be used in household and similar applications such as
 - staff kitchen areas in shops, offices and other working environments;
 - farm houses and by clients in hotels, motels and other residential type environments;
 - bed and breakfast type environments;
 - catering and similar non-retail applications.
8. Please according to local regulations regarding disposal of the appliance for its flammable blowing gas. Before you scrap the appliance, please take off the doors to prevent children trapped.

Including the following

- Ⓞ To prevent fire, electric shock, and/or injury, do not immerse power cords, plugs, or the fridge in water or other liquids.
- Ⓞ Close supervision must be exercised when children use or near electrical appliances. Keep the mini-fridge and the power cords out of reach of children. Unplug the mini fridge from the socket when not in use and before cleaning. Allow cooling before putting on or removing parts and cleaning equipment.
- Ⓞ Do not operate any damaged equipment with a defective power cord or plug. In this case, contact Customer Service for assistance.
- Ⓞ Use of accessories not recommended may result in fire, electric shock, or personal injury.
- Ⓞ Do not let wires hang over the edges of tables or counters or touch hot surfaces.
- Ⓞ Do not place your mini fridge over or near a hot or electric stove, or in a heated oven.
- Ⓞ Leave a 6 to 12-inch gap between the rear fan of your mini fridge and any walls/obstacles for continuous optimized operation.
- Ⓞ When not in use, close the mini fridge and unplug it from the electrical outlet.

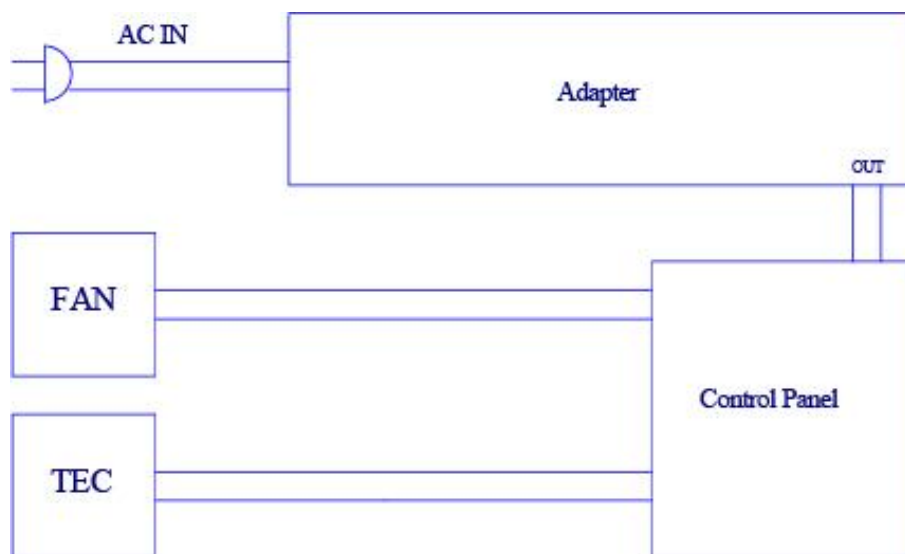
Disposal information

	<p>This product is subject to the provision of European Directive 2012/19/EU. The symbol showing a wheeled bin crossed through indicates that the product requires separate refuse collection in the European Union. This applies to the product and all accessories marked with this symbol. Products marked as such may not be discarded with normal domestic waste, but must be taken to a collection point for recycling electrical and electronic devices.</p>
---	---

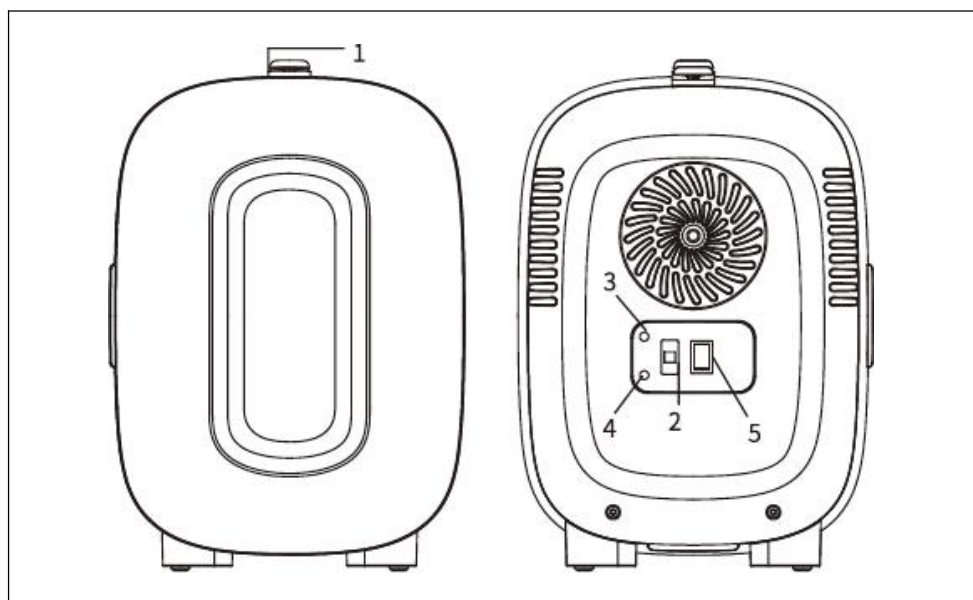
FCC statement:

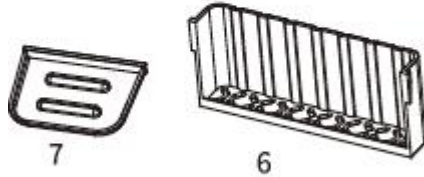
This device complies with Part 15 of the FCC Rules. Operation is subject to the following two conditions: (1) This device may not cause harmful interference, and (2) this device must accept any interference received, including interference that may cause undesired operation.

Electrical Schematic



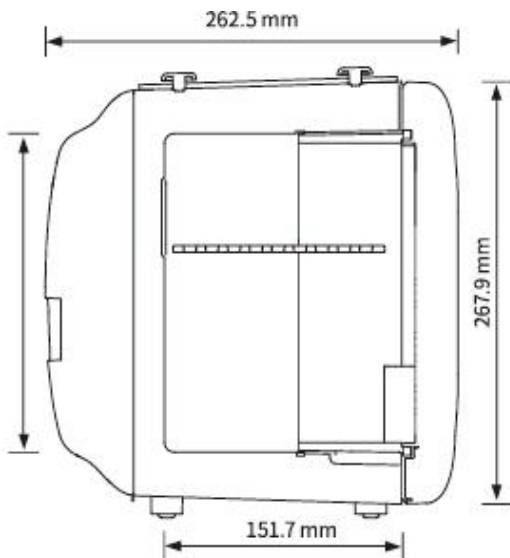
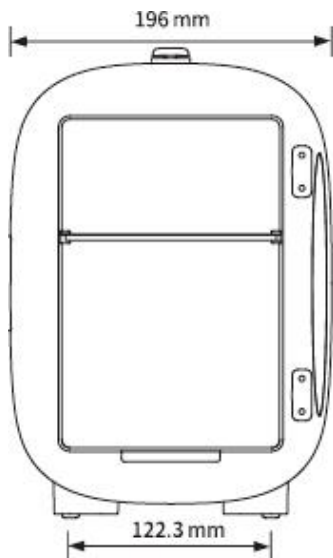
DIAGRAM





1. Carry Handle
2. ON/OFF Switch
3. Green Indicator Light (Cooling)
4. Red Indicator Light (Heating)
5. AC&DC Socket
6. Removable Shelf & Basket
7. Condensate Tray
8. AC Adaptor

SIZE DESCRIPTION



SPECIFICATIONS

Model No.	MFA-5L-GA	MFA-5L-GA
Capacity	4L	4L
Voltage	AC 100-240VAC, 50/60Hz DC output 9V	AC 100-240VAC, 50/60Hz DC output 9V
Power	Cooling: 20W Heating: 15W	Cooling: 20W Heating: 20W
Below ambient temperature	60.8-68°F	16-20°C
Heating temperature	113-131°F	45-55°C
Plug type	Adapter USA version	Adapter EU version

OPERATION GUIDE

AC (Wall) Input Voltage : 100V-120V / 220V-240V

- ① Keep the switch at the "OFF" position before connecting.



- ② Plug the AC power cord into the jack on the back of the fridge.



- ③ Place the fridge well and insert the plug into the wall plug.



- ④ Set the switch to "Cooling" or "Heating" as your need.



DC(Car) Model 9V

- ① Keep the switch at the "OFF" position before connecting.



- ② Plug the DC power cord into the jack on the back of the fridge.



- ③ Place the fridge well and insert the plug into the car cigarette lighter.



- ④ Set the switch to "Cooling" or "Heating" as your need.



MORE TIPS FOR USING

Cooling:

- ◎ For the fastest cooling, fill the fridge with chilled drinks.
- ◎ The lowest possible temperature depends on the surrounding environment.
- ◎ The cooler the ambient temperature, the colder the compact refrigerator gets.
- ◎ Ambient temperature refers to the temperature of the surrounding air. For example, if the device is used for cooling, the item can be cooled to 64.4° F (18°C) below room temperature, then the device will keep the item cool at any temperature of 41° F (5°C).

Heating:

- ◎ The product is designed to keep things warm. It is not intended to heat cold things.
- ◎ After turning off the mini fridge, hot items will stay warm for several hours, provided the door is closed correctly.

CLEANING AND MAINTENANCE

Remove the power cord and plug when not in use and before storage.

Store the mini fridge in a cool, dry place. Always make sure your mini fridge is completely dry before storage.

Always allow your mini fridge to cool completely with the door open before storing it. Keeping the door open while it returns to room temperature will help prevent moisture and mold from potentially developing inside.

Wipe the mini fridge with a damp cloth or paper towel. Removable shelf/basket and condensate tray can be cleaned with soap, water and sponge.

FREQUENTLYASKED QUESTIONS

Q: What to do if the mini fridge is found not working?

A:

- 1.Check the indicator lights. If the indicator is off or sometimes on, check the power connection status.
- 2.Check the plugs to ensure they are in good contact, remove dirt from the plugs if needed.

For DC(Car) Mode	Make sure to turn on the car fir st and the cigarette lighter is 12V.
For AC(Wall) Mode	Ensure the working voltage matches the local voltage.

Q:Why the mini fridge can not cool things to the temperature I want?

A:

- 1.Ensure that the switch is set to cooling and check whether the fan works properly. If the mini fridge is malfunctioning, contact us for help.
2. The lowest possible temperature depends on the surrounding environment. The colder the ambient temperature, the colder the fridge will become.

Three tips for better use the fridge

- ◎Placed above 2 inches from the wall, good heat dissipation.
- ◎Better not use at high room temperatures. Better not to use below at 50 °F(10°C) room temperature when using cosmetic products.

Q: Is the mini fridge defective with some water/ice forming inside?

A: No. The mini fridge uses a semiconductor chip, and the temperature difference between inside and outside or the frequent opening of the door will lead to the

formation of condensation or ice inside, which is a normal physical phenomenon. It is not suggested to keep the door open or open/close the door frequently. Also do not directly cool hot objects.

VEVOR[®]

TOUGH TOOLS, HALF PRICE

Technical Support and E-Warranty Certificate

www.vevor.com/support