

VEVOR[®]

TOUGH TOOLS, HALF PRICE

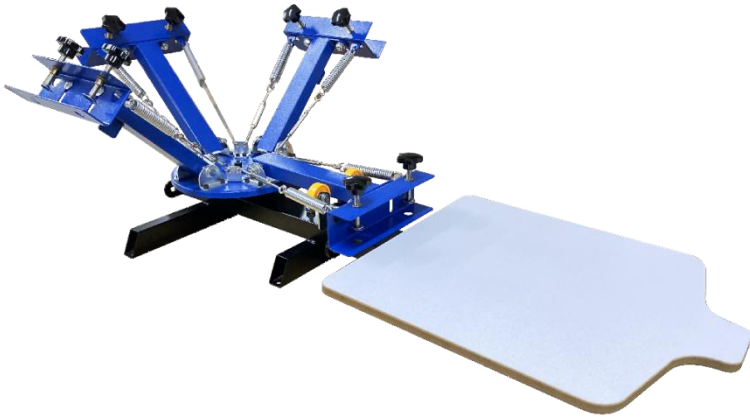
Support and E-Warranty Certificate
<https://www.vevor.com/support>

SCREEN PRINTING MACHINE NS401-S USER MANUAL

We continue to be committed to provide you tools with competitive price. "Save Half", "Half Price" or any other similar expressions used by us only represents an estimate of savings you might benefit from buying certain tools with us compared to the major top brands and does not necessarily mean to cover all categories of tools offered by us. You are kindly reminded to verify carefully when you are placing an order with us if you are actually saving half in comparison with the top major brands.

VEVOR[®]

Screen printing machine



NEED HELP? CONTACT US!

Have product questions? Need technical support? Please feel free to contact us:

 CustomerService@vevor.com

This is the original instruction, please read all manual instructions carefully before operating. VEVOR reserves a clear interpretation of our user manual. The appearance of the product shall be subject to the product you received. Please forgive us that we won't inform you again if there are any technology or software updates on our product.



This symbol, placed before a safety comment, indicates a kind of precaution, warning, or danger. Ignoring this warning may lead to an accident. To reduce the risk of injury, fire, or electrocution, please always follow the recommendation shown below.



WARNING: Read all safety warnings, instructions, illustrations and specifications provided with this machine. Failure to follow all instructions listed below may result in electric shock, fire and/or serious injury.

Save all warnings and instructions for future reference.

1. Keep work area clean. Cluttered areas invite injuries.
2. Observe work area conditions. Do not use machine in damp or wet locations. Don't expose to rain. Keep work area well lighted. Do not use machine in the presence of flammable gases or liquids.
3. Keep children away. Children must never be allowed in the work area. Do not let them handle machines, tools, or extension cords. This machine can be used by children aged from 8 years and above and persons with reduced physical, sensory or mental capabilities or lack of experience and knowledge if they have been given supervision or instruction concerning use of the appliance in a safe way and understand the hazards involved. Children shall not play with the appliance. Cleaning and user maintenance shall not be made by children without supervision.
4. Store idle equipment. When not in use, machine must be stored in a dry location to inhibit rust. Always lock up machines and keep out of reach of children.
5. Use the right machine for the job. Do not attempt to force a small machine or attachment to do the work of a larger industrial machine. There are certain applications for which this machine was designed. Do not modify this machine and do not use this machine for a purpose for which it was not intended.
7. Dress properly. Do not wear loose clothing or jewelry as they can be caught in moving parts. Protective, electrically non-conductive clothes and non-skid footwear are recommended when working. Wear restrictive hair covering to contain long hair.
8. Maintain machines with care. Keep machine clean for better and safer performance. Follow instructions for lubricating and changing accessories. Inspect

machine periodically and, if damaged, have them repaired by an authorized technician. The handles must be kept clean, dry, and free from oil and grease at all times.

9. Stay alert. Watch what you are doing, use common sense. Do not operate any machine when you are tired.


10. Check for damaged parts. Before using any machine, any part that appears damaged should be carefully checked to determine that it will operate properly and perform its intended function. Check for alignment and binding of moving parts; any broken parts or mounting fixtures; and any other condition that may affect proper operation. Any part that is damaged should be properly repaired or replaced by a qualified technician. Do not use the machine if any switch does not turn On and Off properly.

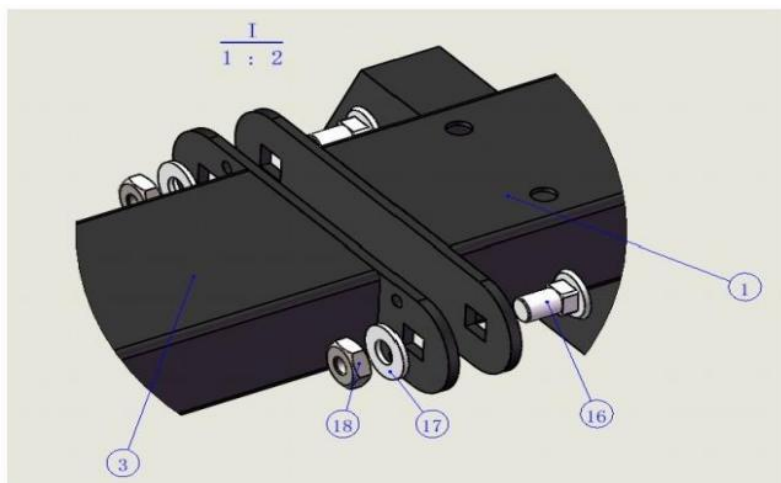
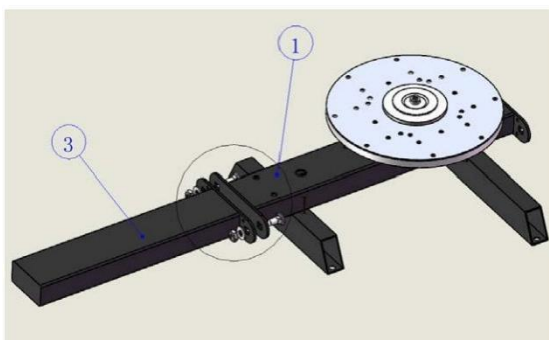
11. Replacement parts and accessories. When servicing, use only identical replacement parts. Use of any other parts will void the warranty. Only use accessories intended for use with this machine. Approved accessories are available from VEVOR.

12. Do not operate machine if under the influence of alcohol or drugs. Read warning labels on prescriptions to determine if your judgment or reflexes are impaired while taking drugs. If there is any doubt, do not operate the machine. Warning: The warnings, cautions, and instructions discussed in this instruction manual cannot cover all possible conditions and situations that may occur. It must be understood by the operator that common sense and caution are factors which cannot be built into this product, but must be supplied by the operator.

1. First take out the base(1)and put it on the table, then take out the table support bar(3)and put it on the base(1),and lock it with square neck bolt(16),gasket M10(17)and external hexagon nut M10(18) Locking tool wrench 17- 17(I).


Serial No	Name of accessories	Quantity
16	Square neck bolt M10X20	2
17	Gasket M10	2
18	Outer hexagon nut M10	2

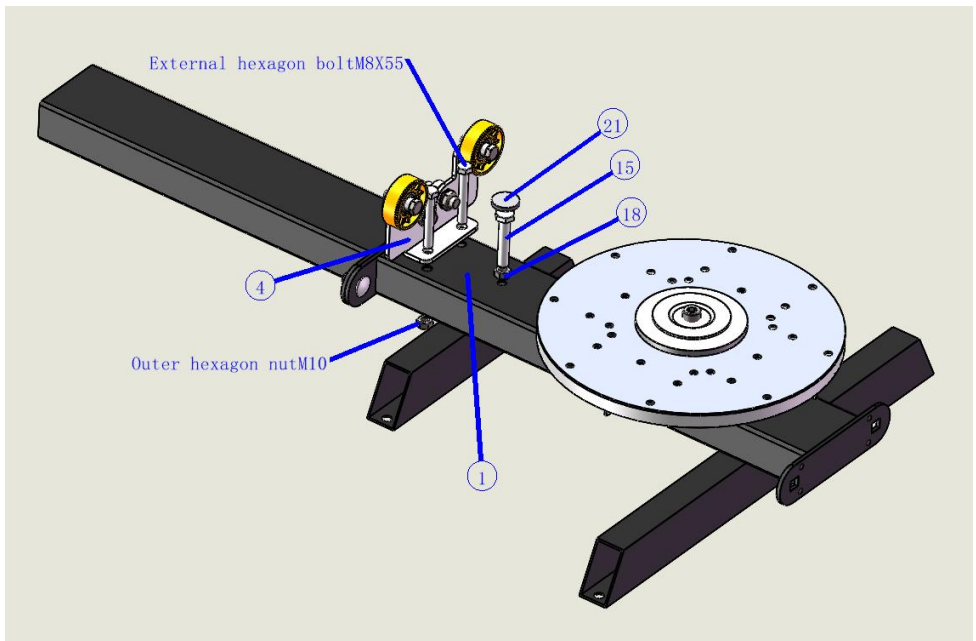
Serial No	Tool name	Picture
I	Wrench 14-17	



2. Put the positioning seat(4)on the square tube of the base(1),thread it from top to bottom with the external hexagon screw M8X55,and lock the other end with the external hexagon nut M8. Put the outer hexagon screw M10X55(15) onto the outer hexagon nut M10(18)and thread the screw head 40 mm from the base square tube from top to bottom, then lock the outer hexagon nut M10 (18)onto the base square tube in reverse.



Serial No	Name of accessories	Quantity
15	External hexagon bolt M10X55	1
18	Outer hexagon nut M10	1
21	Felt pad	1

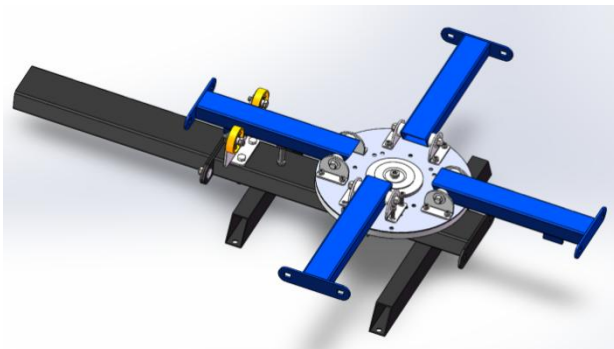
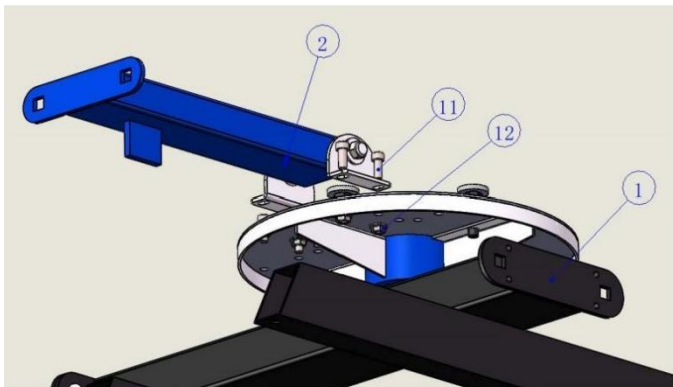
Serial No	Tool name	Picture
I	Wrench 14-17	



3.Put the support arm base(2)on the disc of the base(1),and lock it with the hexagonal socket screw M6X16(11)and flange nut M6


Serial No	Name of accessories	Quantity
11	Socket head cap screw M6X16	16
12	Flange nut M6	16

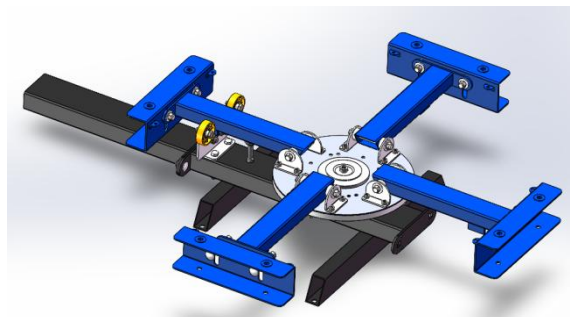
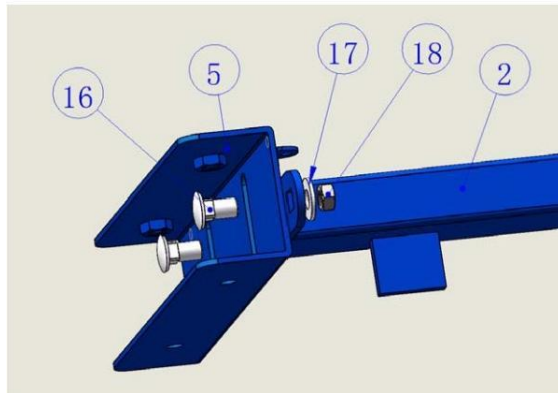
Serial No	Tool name	Picture
I	Wrench 14-17	
VI	Hexagon socket wrench M6	



4. Take the screen clamp(5) and stick it to the printing arm(2), insert it into the printing arm(2) hole from the screen clamp(5) with square neck bolt M10X20 (16), and put the other end on the sleeve with gasket M10(17), then lock the outer hexagon nut M10(18), and then use wrench 14 - 17(l) to lock it


Serial No	Name of accessories	Quantity
16	Square neck bolt M10X20	8
17	Gasket M10	8
18	Outer hexagon nut M10	8

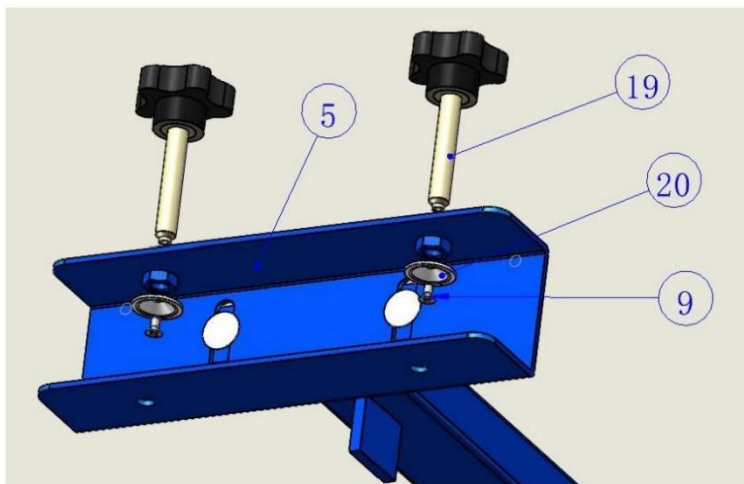
Serial No	Tool name	Picture
I	Wrench 14-17	



5.Lock the five-star handle(19)into the screen clamp (5)with a depth of 20mm,cover the pressure plate(20),and then use a cross screwdriver(2) to lock the pressure plate(20)on the five-star handle(19)with a cross countersunk screw M4X8(9)from the small hole at the lower end of the screen clamp(5)



Serial No	Name of accessories	Quantity
10	Countersunk head screw M4X8	8
24	Five star handle	8
25	Tabletting	8

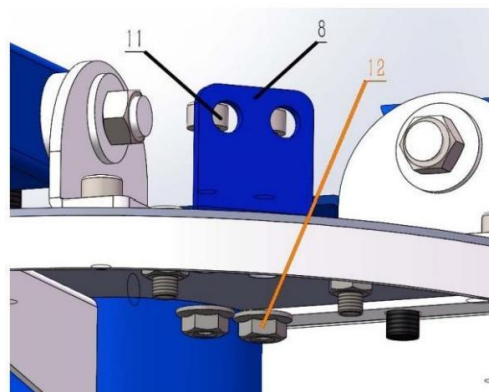
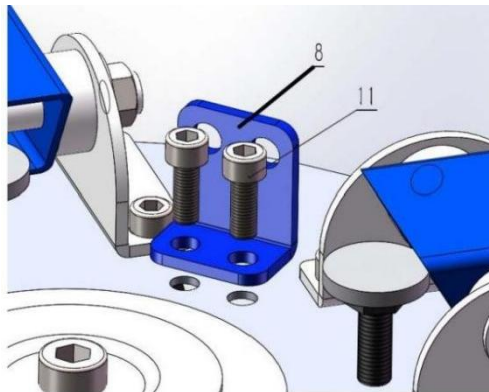
Serial No	Tool name	Picture
II	Cross screwdriver	



6.Put the spring hook plate(8)on the base disc,and lock it with the hexagonal socket screw M6X16 and flange nut M6

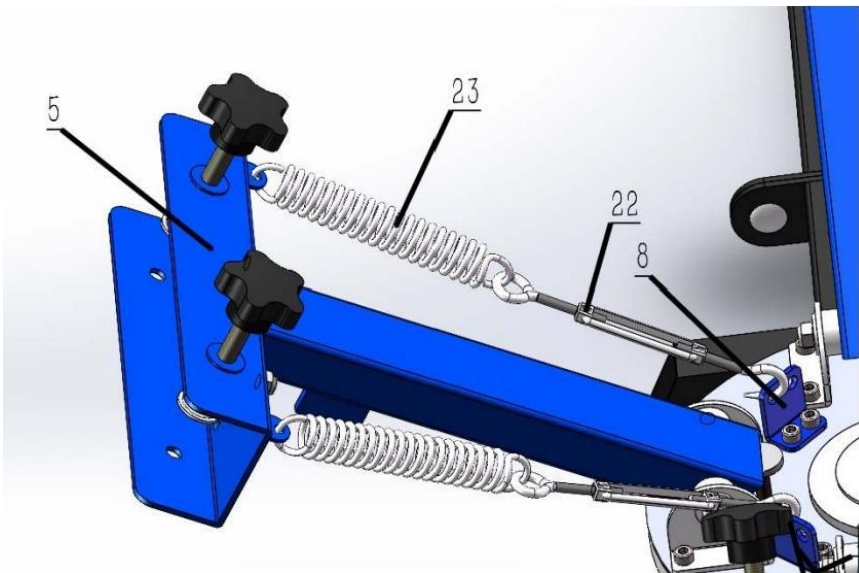
Serial No	Name of accessories	Quantity
11	Horn screw red M6X1 M6X16	8
12	Flange nut M6	8

Serial No	Tool name	Picture
I	Wrench 14-17	
VI	Hexagon socket wrench M6	




7. Hang the spring(23)on the screen clamp(5),hang the hooked end of the flower basket(22)on the spring hook plate(8),hook the looped end of the flower basket(22)with the spring(23),and then level the arm support

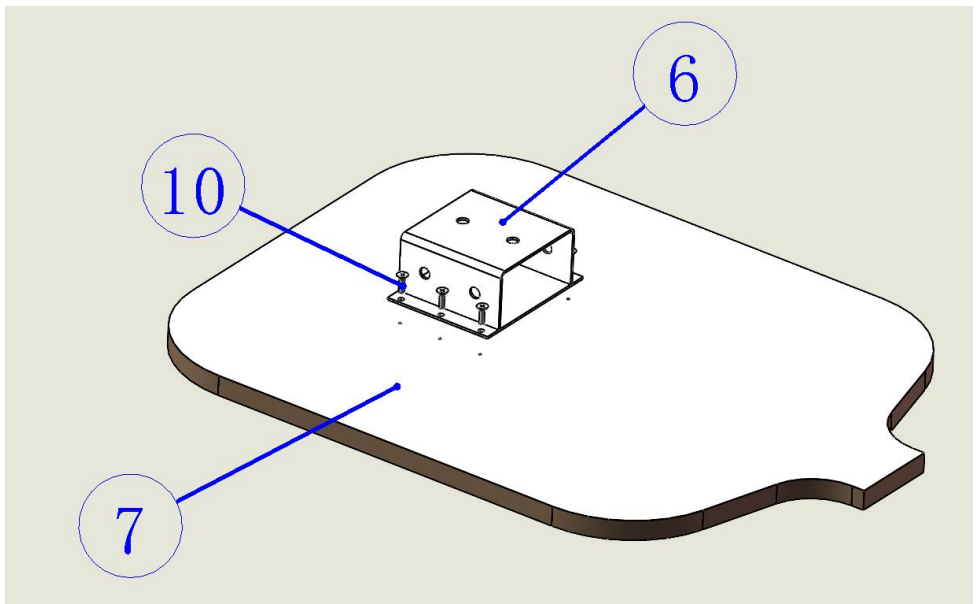
Serial No	Name of accessories	Quantity
27	Hook	8
28	Spring	8



8. Take the wooden plate(7)and put it on the table with the hole facing up,then take the metal bracket(6)and put it on the wooden plate(7) and face the hole, then take the cross screwdriver(2)and put the cross countersunk head tapping screw M4X12(11)face the hole, and lock the iron box(6)on the wooden bedplate(7)


Serial No	Name of accessories	Quantity
11	Self tapping screw M4X16	6

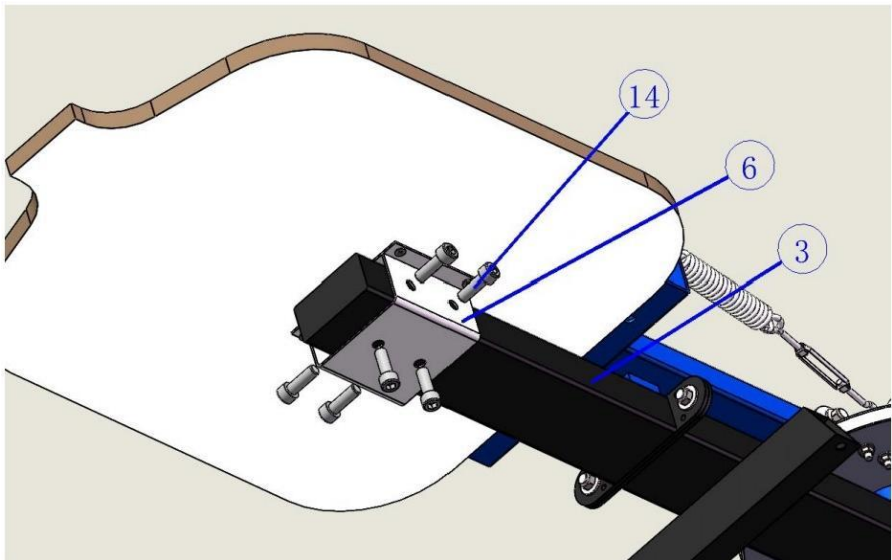
Serial No	Tool name	Picture
II	Cross screwdriver	



9. Insert the bracket(6) in the bracket of the wooden plate assembled in step 8 into the plate support bar(3), and then insert the socket head screw M10X30(14) into the tooth hole of the bracket(6), and then use the socket head wrench M10(five) to lock the socket head screw M10X25(14)


Serial No	Name of accessories	Quantity
14	Socket head cap screw M10X25	6

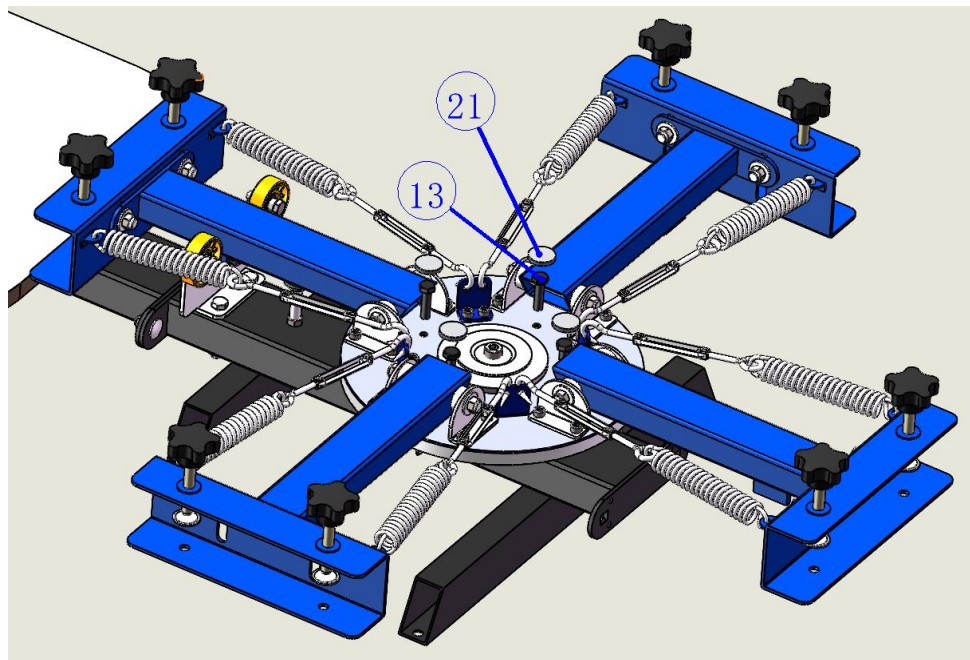
Serial No	Tool name	Picture
V	Hexagon socket wrench M10	



10. Lock the socket head cap screw(13)on the base disc(as shown in the figure), and stick the felt pad(21)onto the head end of the socket head cap screw(13). Use the tool wrench 14- 17(l)

Serial No	Name of accessories	Quantity
13	Hexagon screw M8X30	4
21	Felt pad	4

Serial No	Tool name	Picture
I	Wrench 14-17	

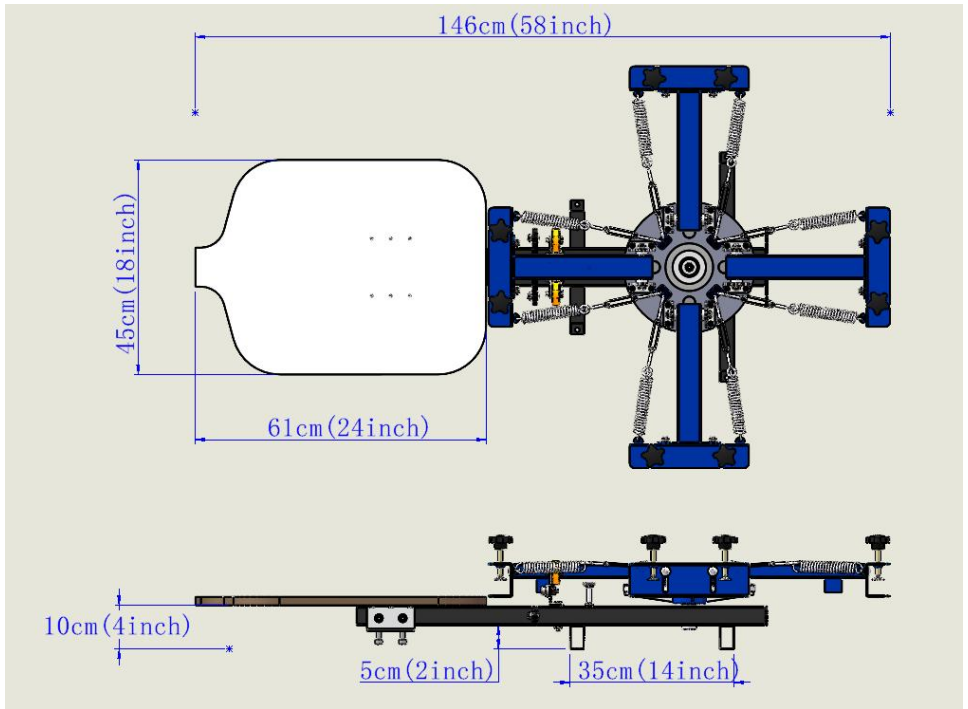




List of accessories

Serial No	Name	Picture	Qty	Bag No	Serial No	Name	Picture	Qty	Bag No
1	base		1		11	Socket head cap screw M6X16		24	②
2	Printing arm		4		12	Flange nut M6		24	②
3	Table support bar		1		13	External hexagon screw M8X30		4	②
4	Positioning seat		1		14	Socket head cap screw M10X25		6	⑥
5	Screen clamp		4		15	Socket head cap screw M10X55		1	①
6	Bracket		1		16	Square neck Bolts M10X20		10	①
7	Wooden plate		1		17	Gasket M10		10	⑤
8	Spring plate		4	②	18	Outer hexagon nut M10		11	⑤
9	Countersunk head screw M4X8		8	④	19	Five star handle		8	④
10	Self tapping snails M4X12		6	⑥	20	Tabletting		8	④

List of accessories					Toollist				
Serial No	Name	Picture	Qty	Bag No	Serial No	Name	Picture	Qty	Bag No
21	Felt pad		5	① ②	I	Wrench 14-17		1	
22	Hook		8	③	II	Cross screwdriver		1	
23	Spring		8	③	III	Open spanner M10		1	
24					IV	Open spanner M8		1	
25					V	Hexagon socket wrench M10		1	
26					VI	Hexagon socket wrench M6		1	
27					VII				
28					VIII				
29					IX				
30									

	items	Description
1	Name	Screen printing machine
2	Model	NS401-S
3	Product parameter	Printing color: 4, Working Position: 1
4	Package Size	610X540X235m
5	G.W.	20.5kg



	<p>Warning-To reduce the risk of injury, user must read instructions manual carefully.</p>
	<p>HOUSEHOLD USE ONLY</p>

Manufacturer: Dongguan Ruiling Printing Equipment Co.,Ltd

Address: Ruida Building, No 2 Lane 1, West of Xintang road, Huangcun Community, Humen Town, Dongguan City, China.

EU Importer: WAITCHX, 250 bis boulevard Saint-Germain 75007 Paris.

UK Importer: FREE MOOD LTD, 2 Holywell Lane, London, England, EC2A 3ET

<p>EC</p>	<p>REP</p>	<p>EUREP GmbH Unterlettenweg 1a, 85051 Ingolstadt, Germany</p>
<p>UK</p>	<p>REP</p>	<p>EUREP UK LTD UNIT 2264, 100 OCK STREET, ABINGDON OXFORDSHIRE ENGLAND OX14 5DH</p>

VEVOR[®]

TOUGH TOOLS, HALF PRICE

Support and E-Warranty Certificate

<https://www.vevor.com/support>