
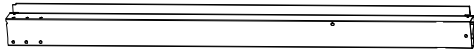
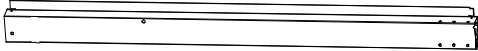

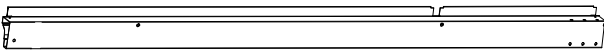













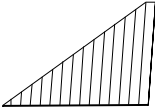
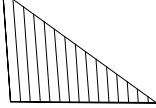
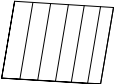
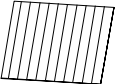
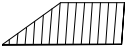
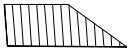
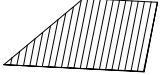
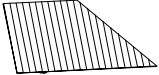


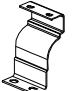
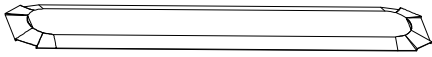


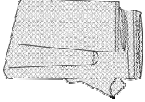




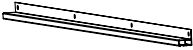
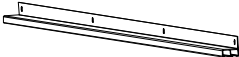
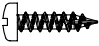
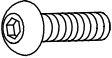
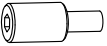


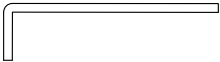


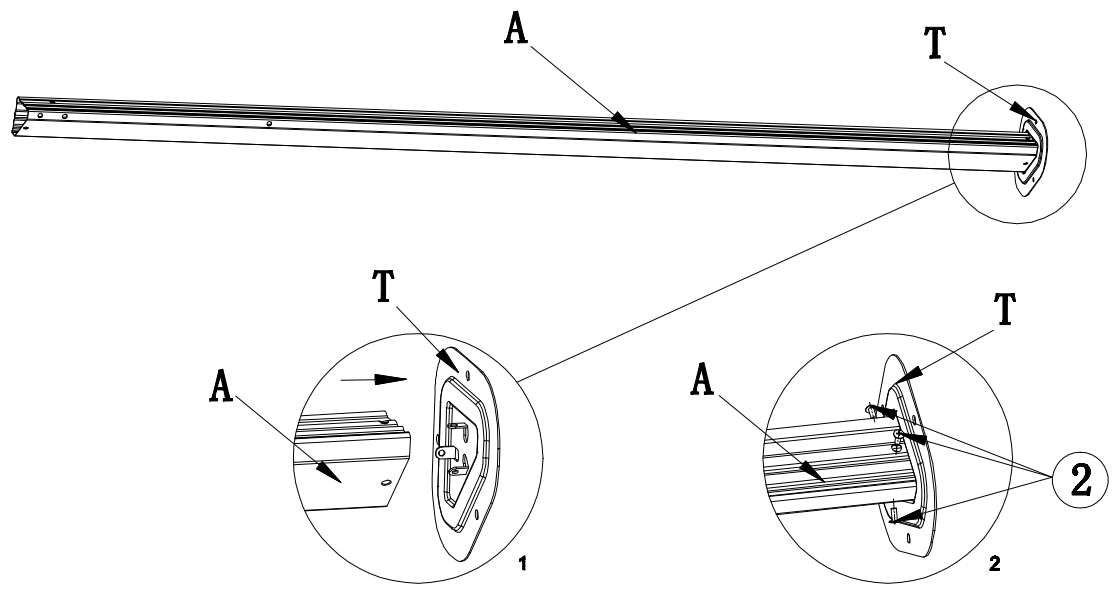
ASSEMBLY INSTRUCTION

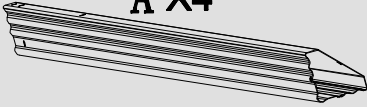
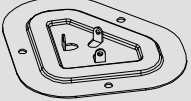
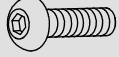
Label	Picture	Description	QTY
A		Column	4
B		Left Short Beam	2
C		Right Short Beam	2
B1		Left Long Beam	2
C1		Right Long Beam	2
D		Long Corner Roof Bar	4
E		Short Roof Bar	6
F		Left Roof Finishing Bar	4
G		Right Roof Finishing Bar	4
G1		Middle Roof Finishing Bar	6
H		Connection Piece	8
I		Left Roof Support Bar	4
J		Right Roof Support Bar	4
J1		Middle Roof Support Bar	2
K1		Top Inner Left Roof Finishing Bar	4
K2		Top Inner Right Roof Finishing Bar	4

Label	Picture	Description	QTY
K3		Top Outer Left Roof Finishing Bar	4
K4		Top Outer Right Roof Finishing Bar	4
L1		Left Roof Panel (Top)	4
L2		Right Roof Panel (Top)	4
M4		Middle Roof Panel (Top)	2
M3		Middle Roof Panel (Upside & Downside)	4
M1		Left Roof Panel (Upside)	4
N1		Right Roof Panel (Upside)	4
M		Left Roof Panel (Downside)	4
N		Right Roof Panel (Downside)	4
O		Bar Union	4
P		Corner Cover	4
Q		Joint Cover Plate	4

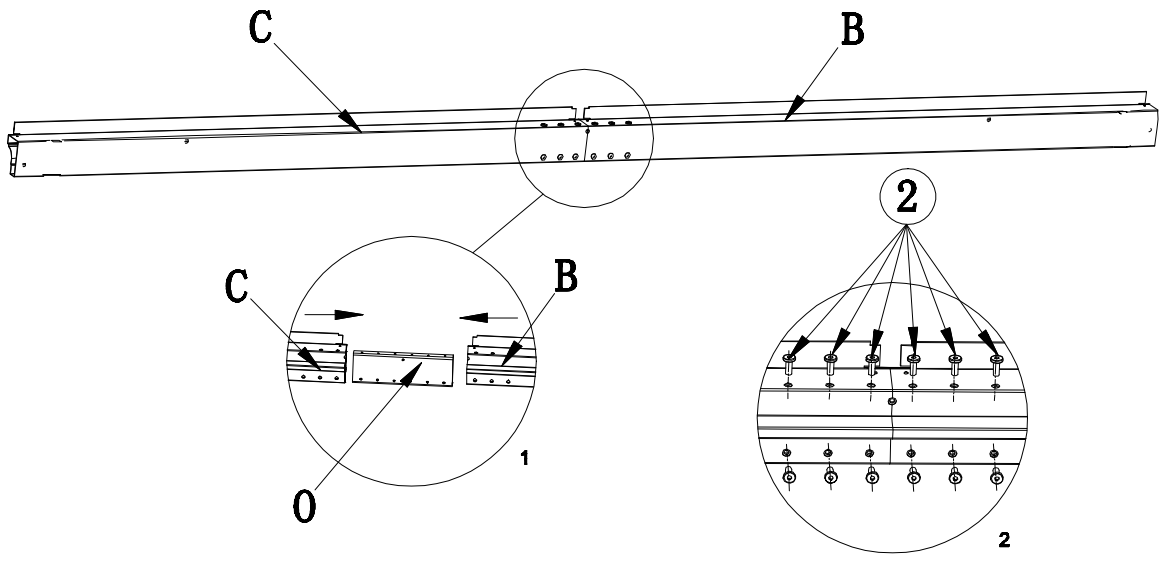
R		Outside Roof Connector	1
S		Inside Roof Connector	1
T		Base	4
V		Mosquito Netting	4
W		Curtain	4
X		Finishing End	18
Y		Corner Finishing End	12
Z		Hook	120
U		Short Track	4
U1		Long Track	4
Label	Picture	Description	QTY
①		Screw (ST5*12mm)	32+1
②		Bolt (M6*15mm)	160+2
③		Bolt (M6*12mm)	24+1
⑥		Screwdriver	1
⑦		Allen Key	1
⑧		Stake	12

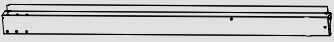
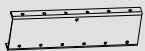
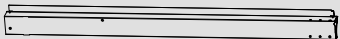
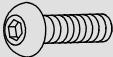
STEP 01



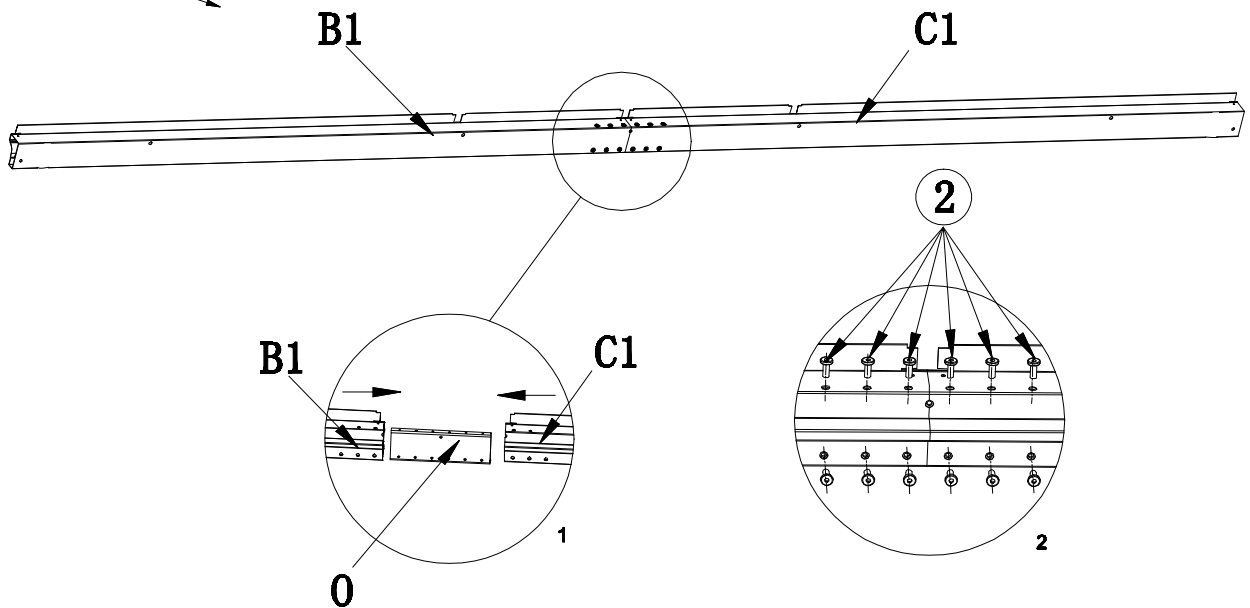
	A X4		T X4		2 X12
-------------------------------------------------------------------------------------	-------------	-------------------------------------------------------------------------------------	-------------	---------------------------------------------------------------------------------------	--------------


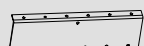

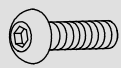
STEP 02



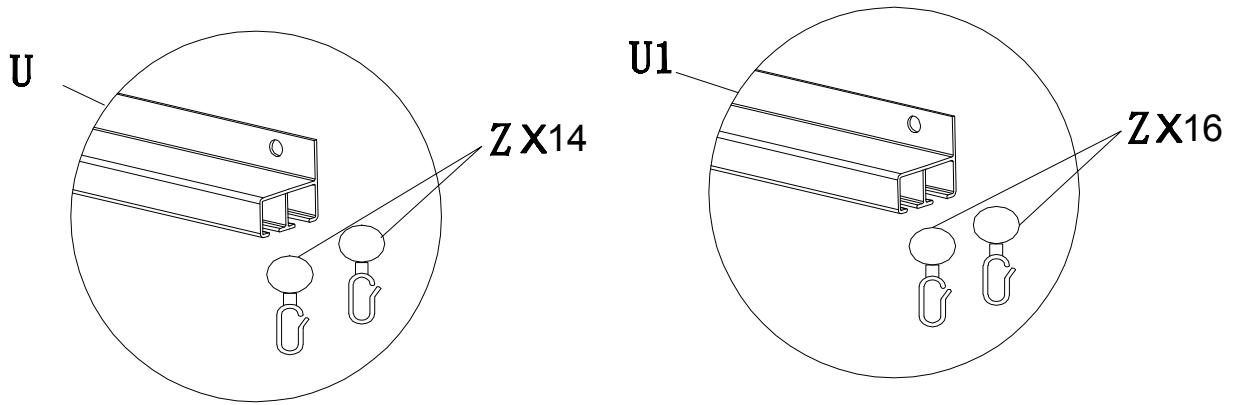
	B X2		0 X2
	C X2		2 X24

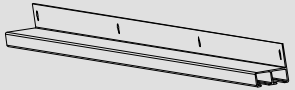

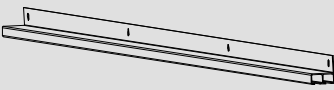
STEP 03



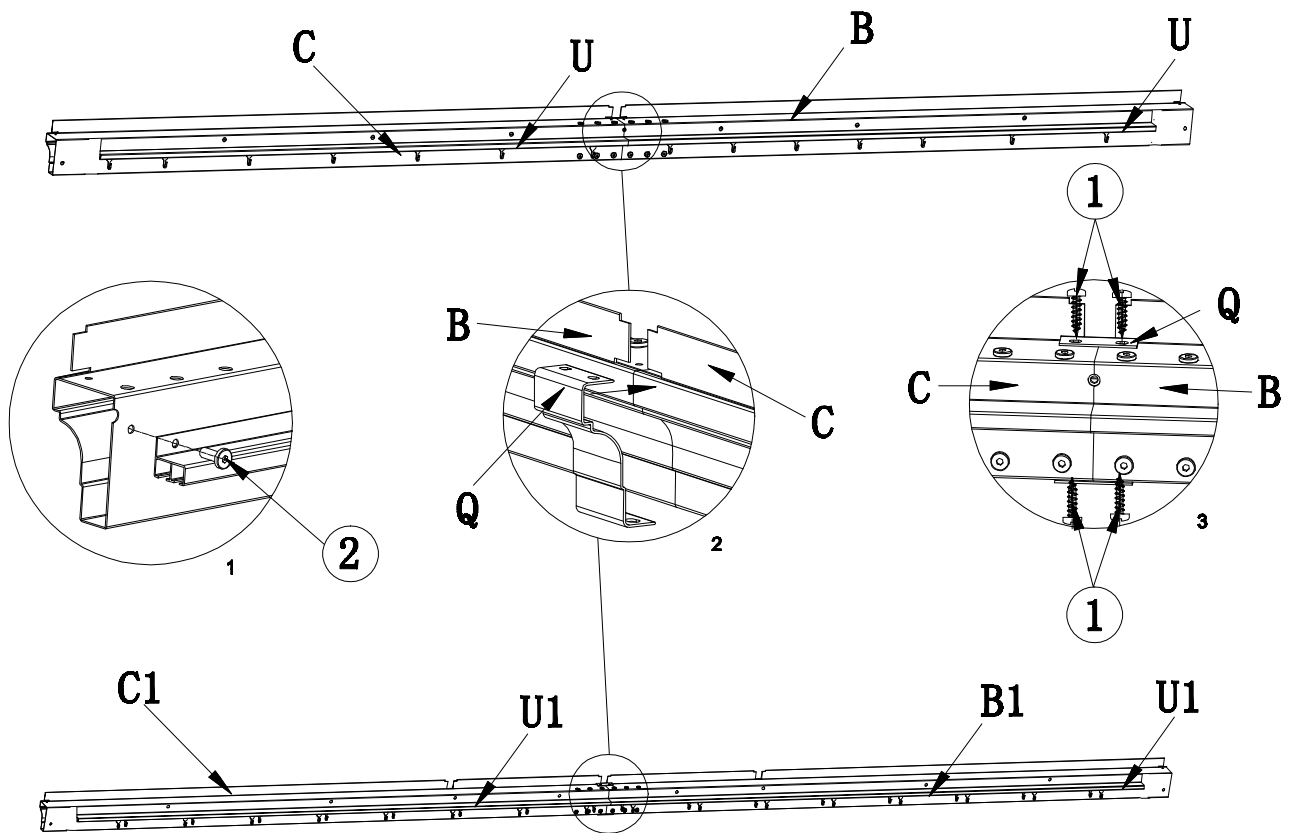
	B1 X2		0 X2
	C1 X2		2 X24

STEP 04



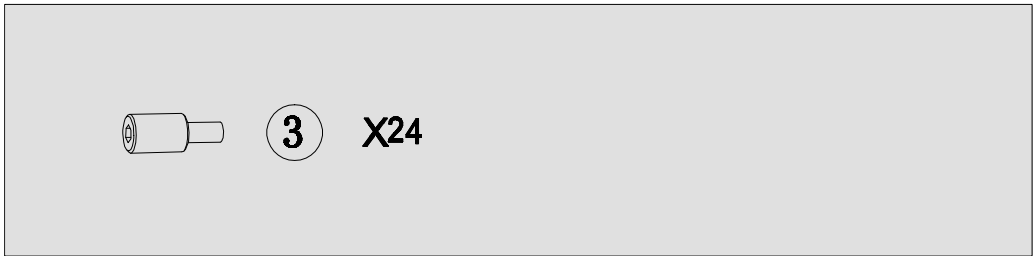
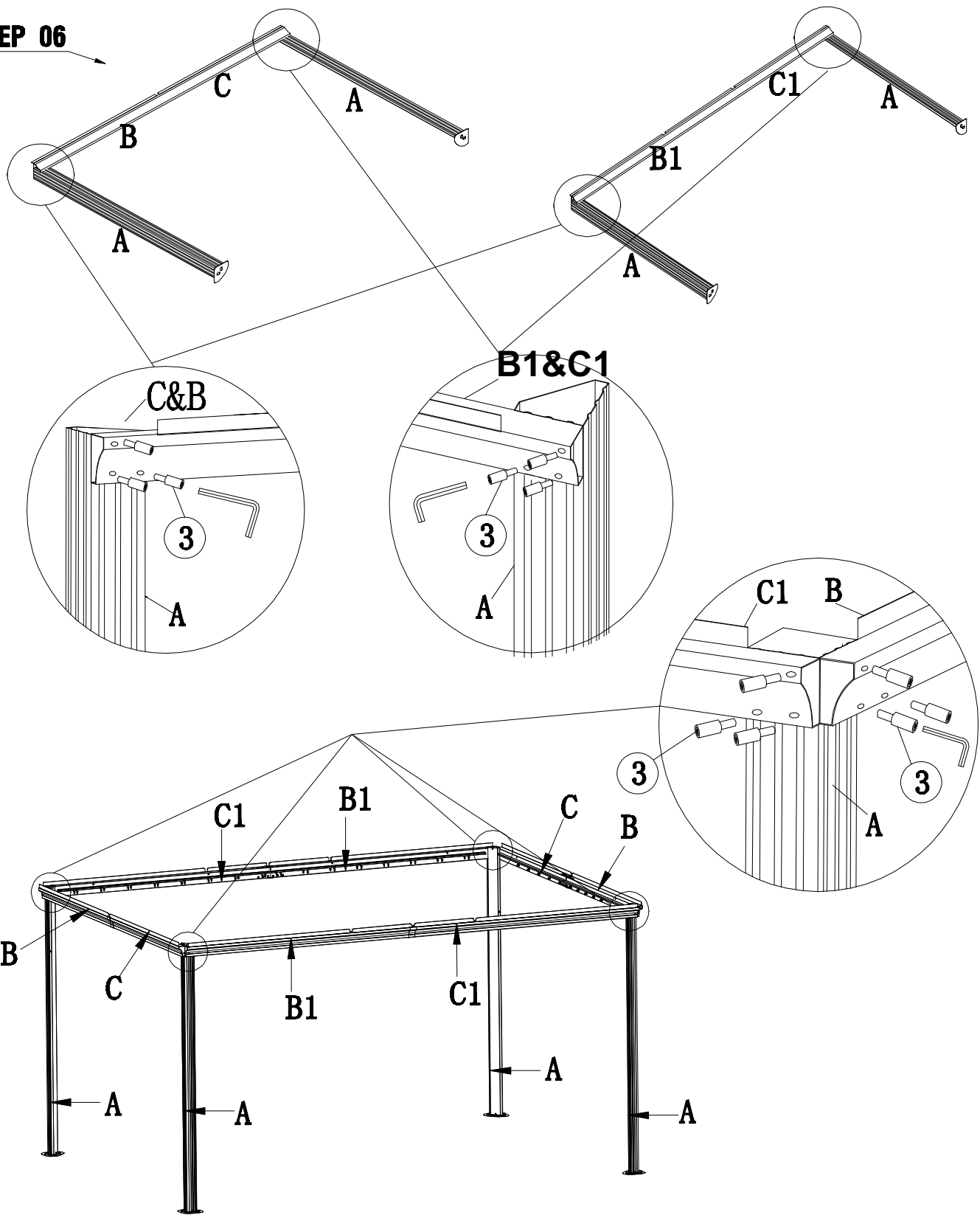
	U X4		Z X 120
	U1 X4		

STEP 05

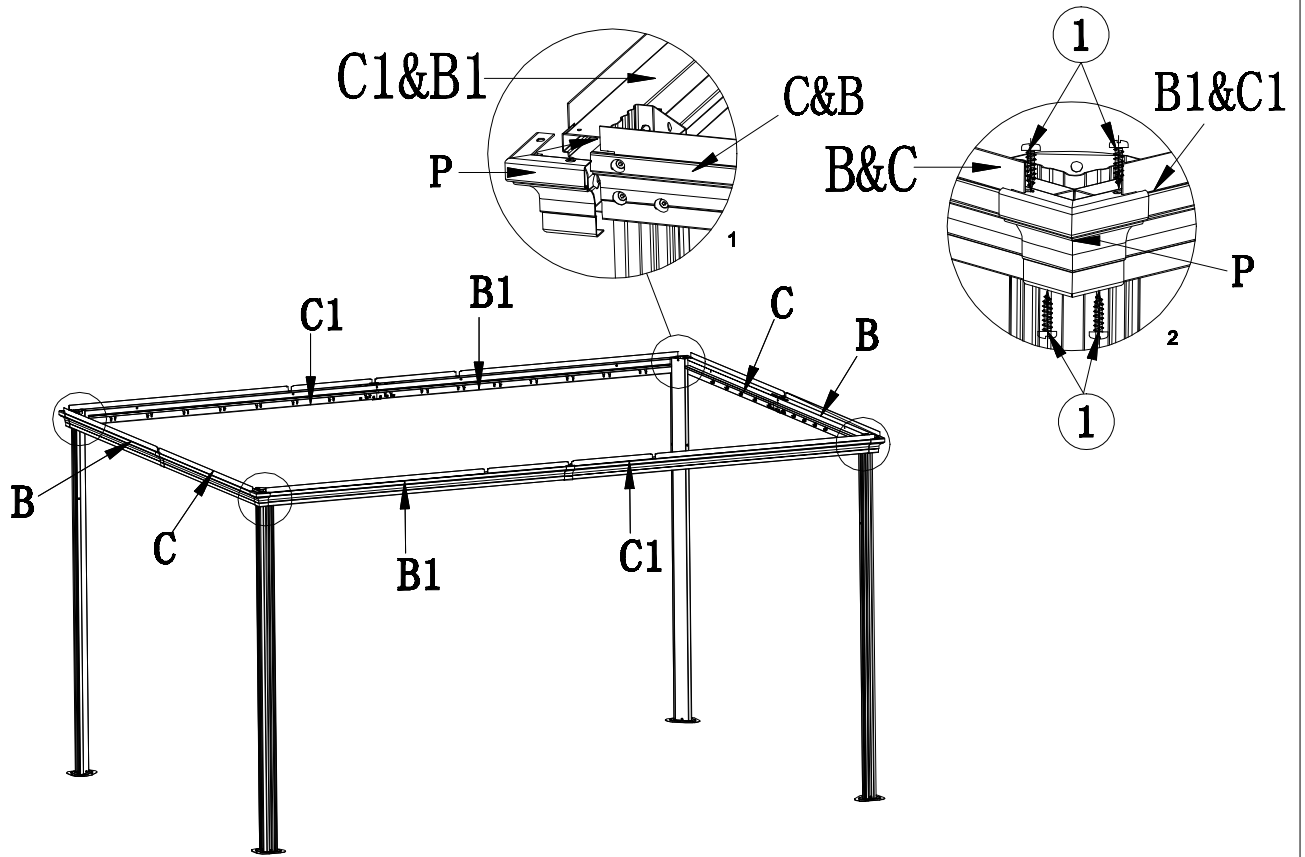


	B X2		Q X4
	C X2		2 X28
	B1 X2		1 X16
	C1 X2		
	U X4		
	U1 X4		


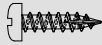
STEP 06



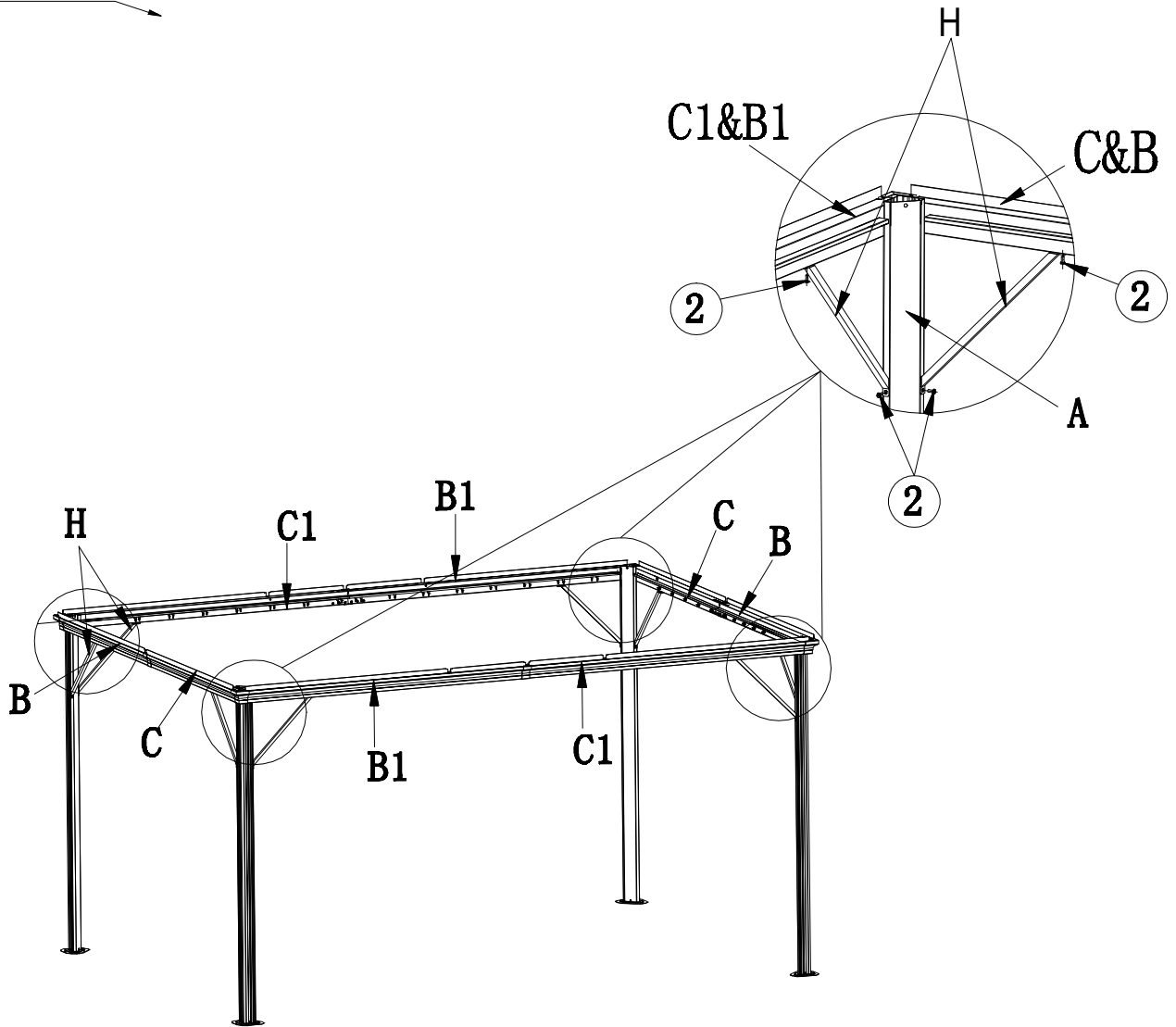
STEP 07




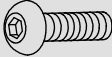
Parts list for step 07:

-  **P X4**
-  **1 X16**

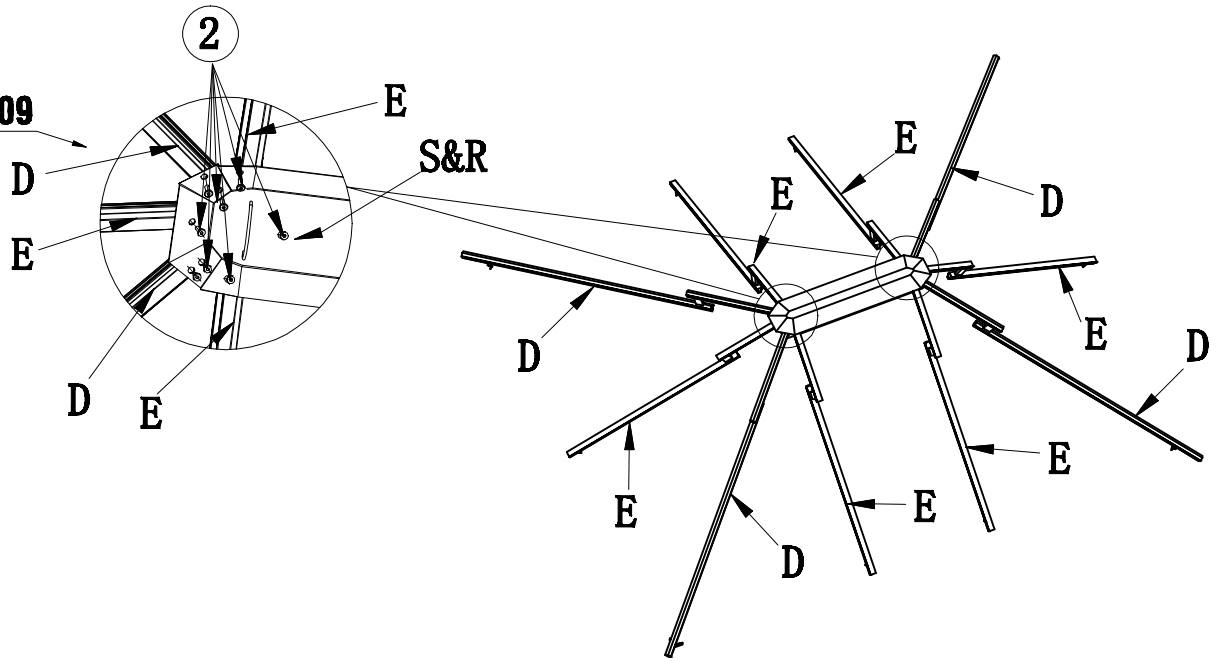
STEP 08




H X 8

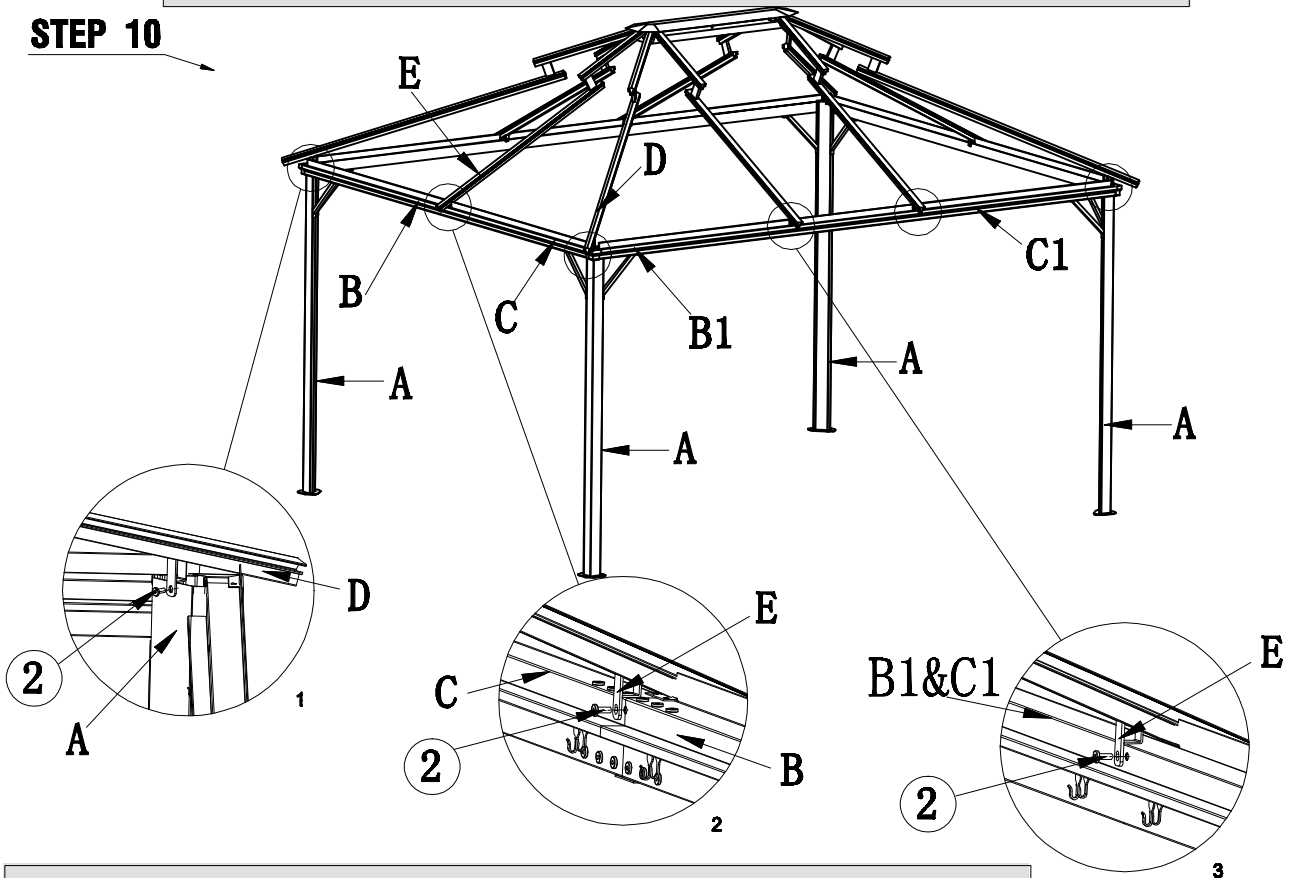
 **2** X 16

STEP 09



	R X1		D X4
	S X1		E X6
	2 X 16		

STEP 10

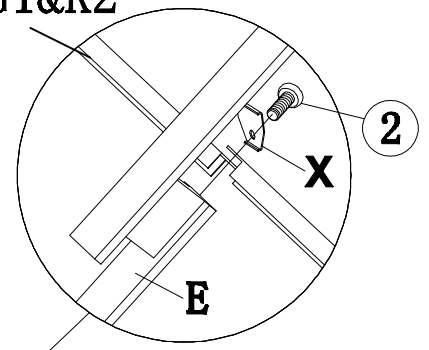


	2 X10
--	-------

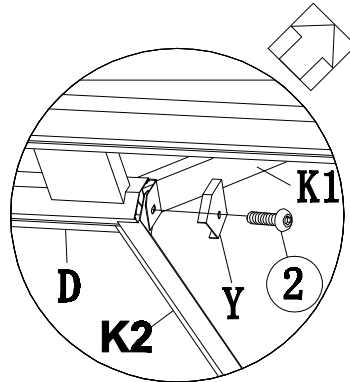
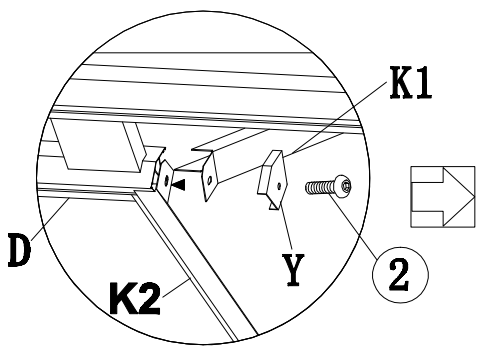
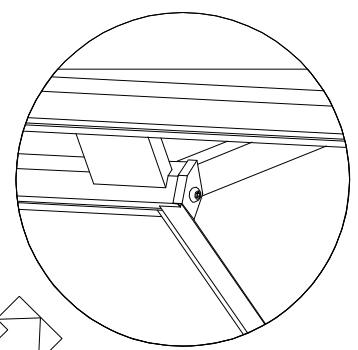
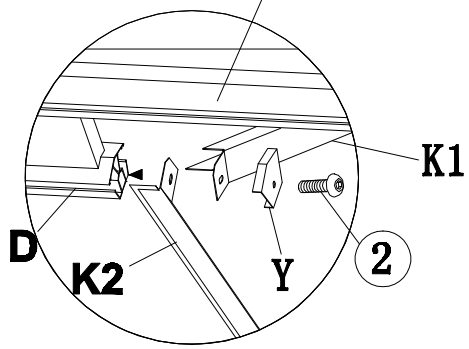
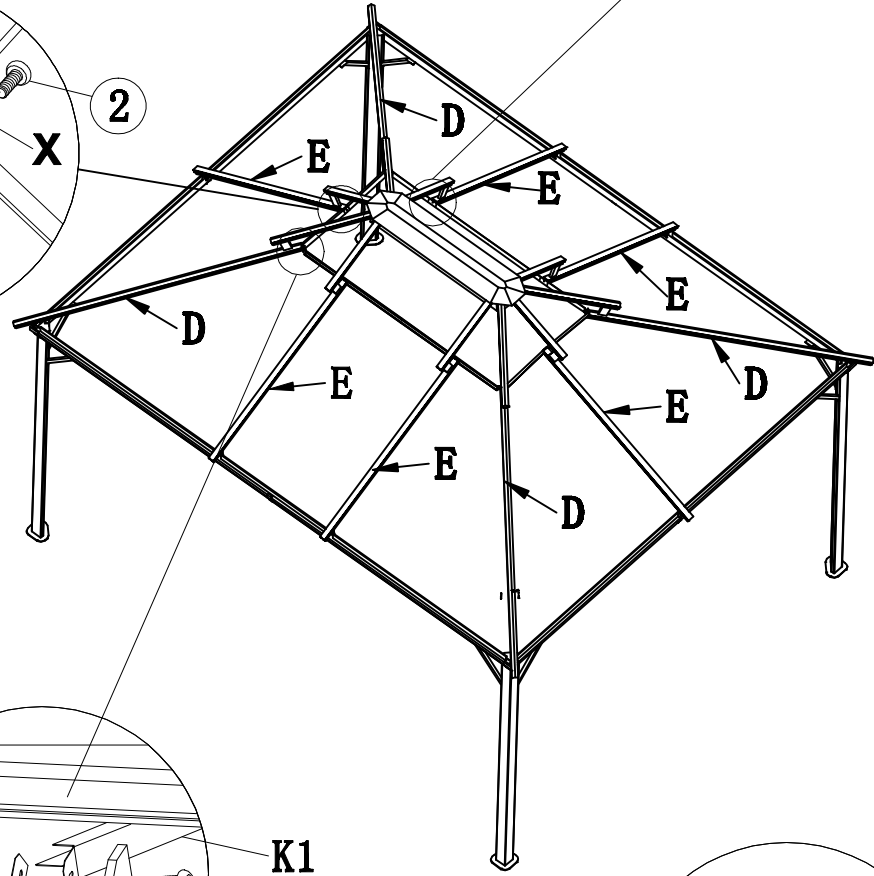
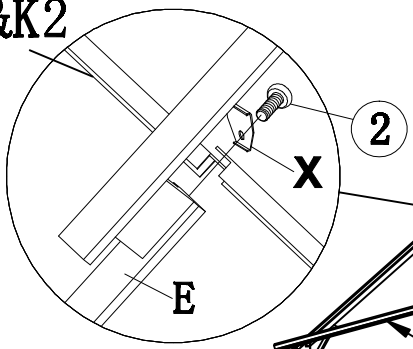
STEP 11

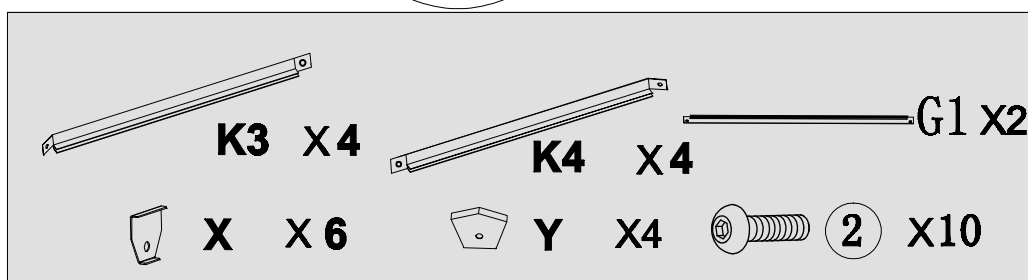
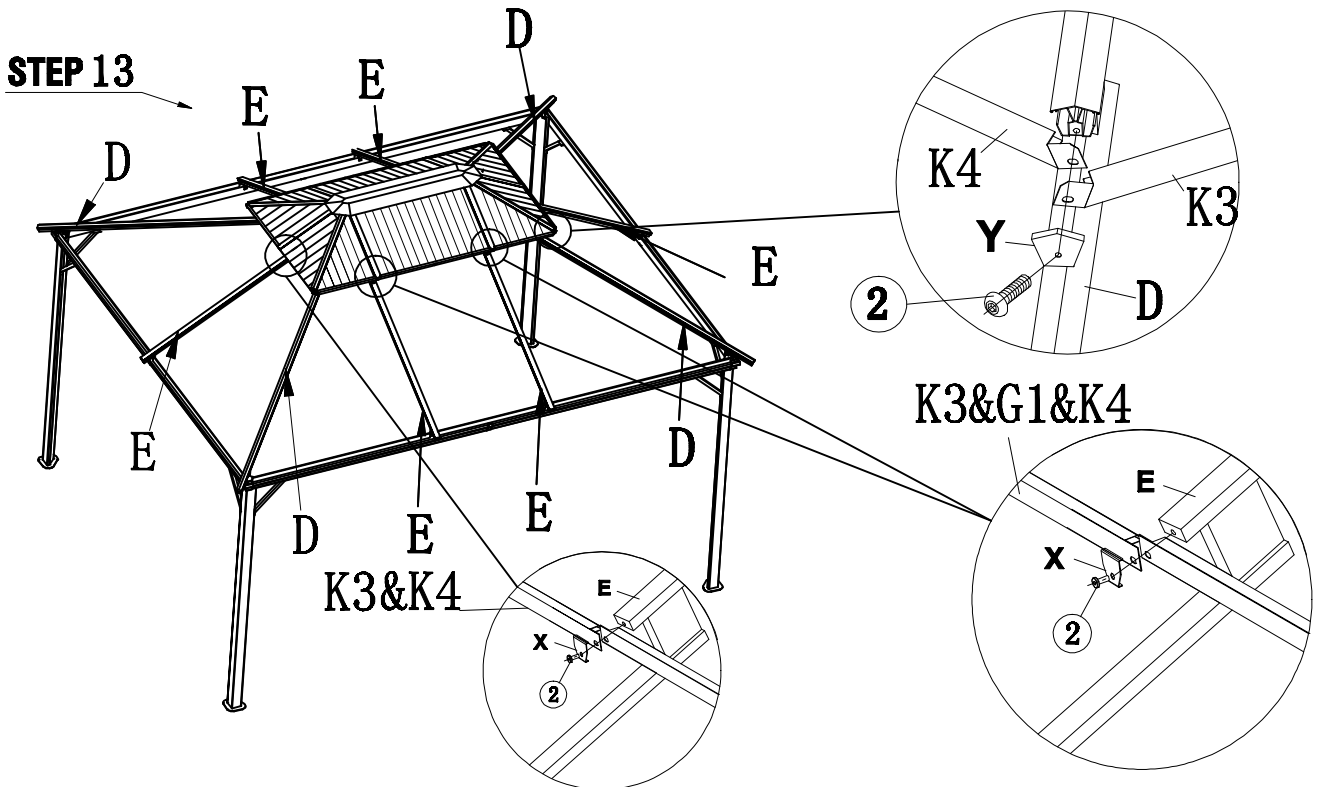
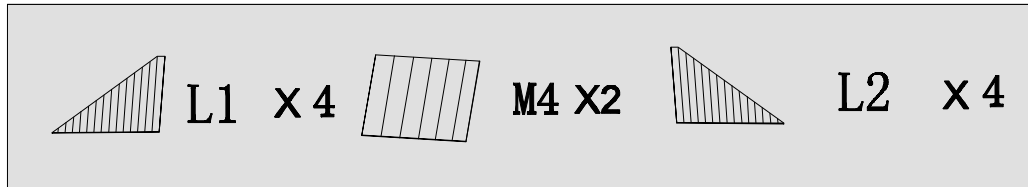
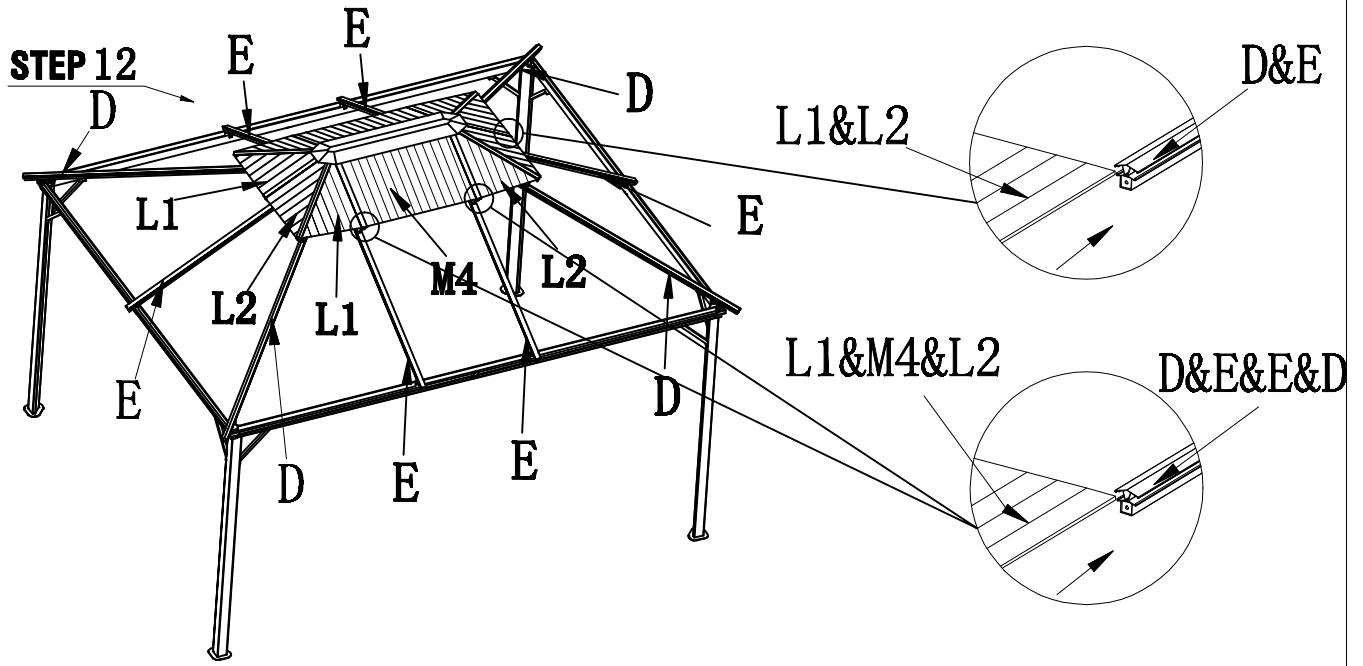
	K1	X4		X	X6
	K2	X4		Y	X4
	G1	X2		2	X10

K1&G1&K2

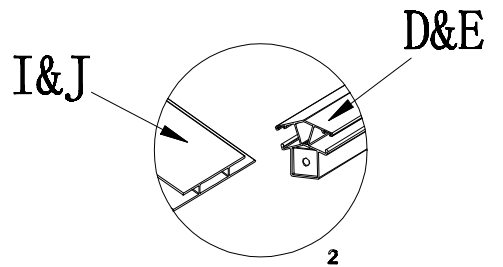
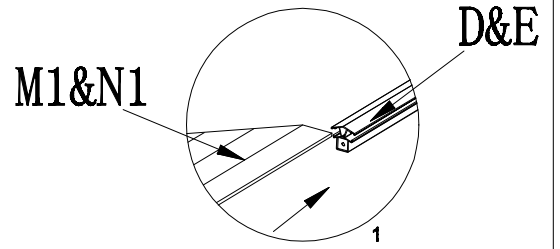
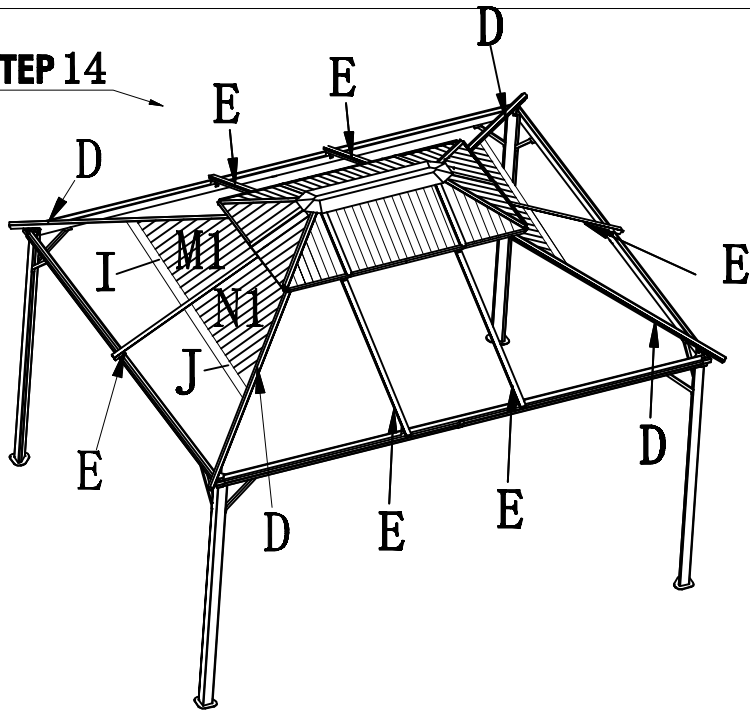


K1&K2



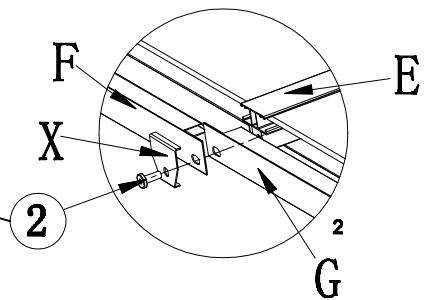
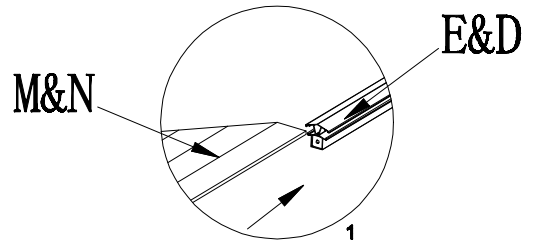
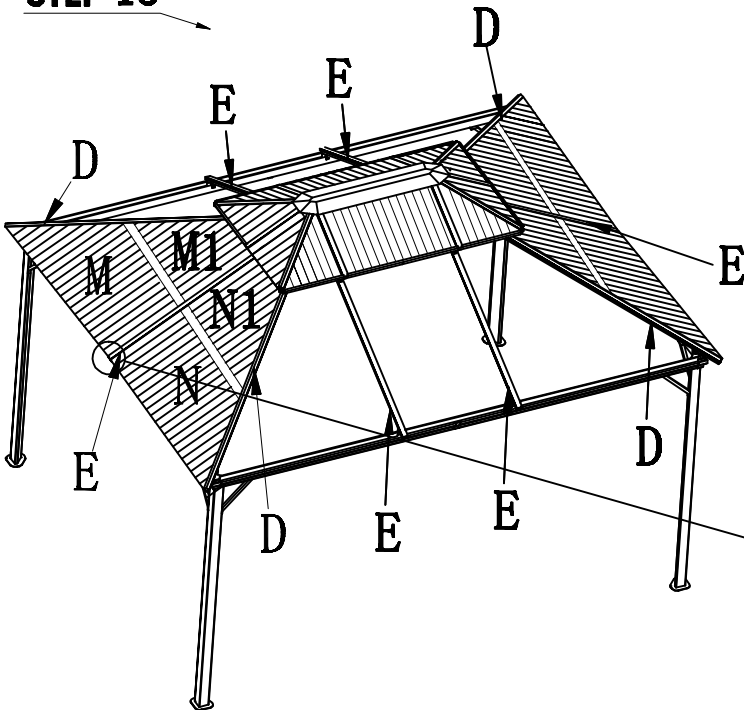


STEP 14



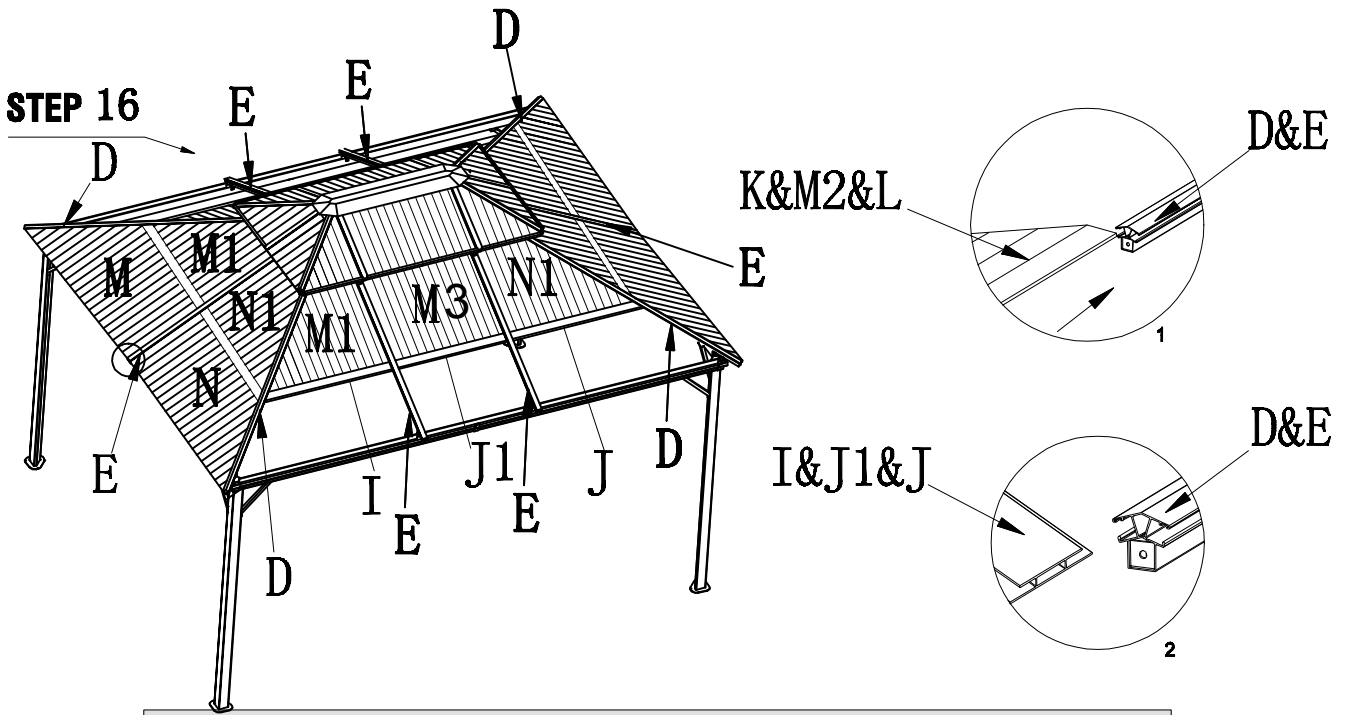
	M1	x2		N1	x2
	I	x2		J	x2

STEP 15



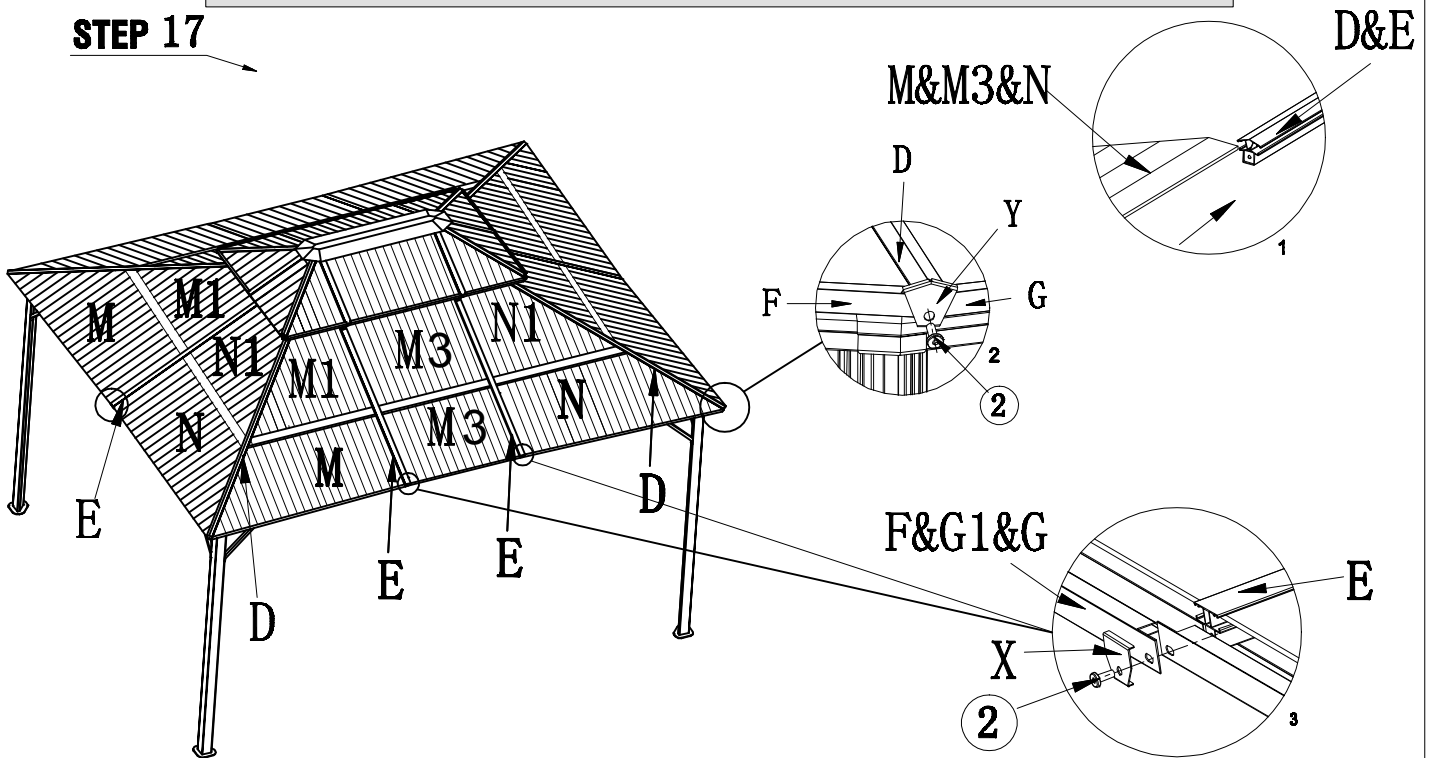
	M	x2		N	x2		X	x2
	F	x2		G	x2		2	x2

STEP 16



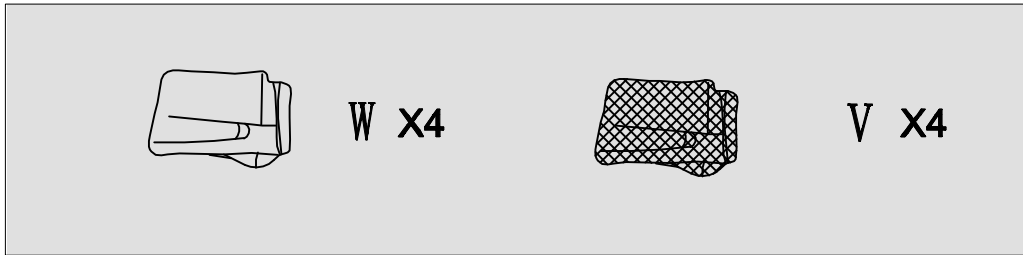
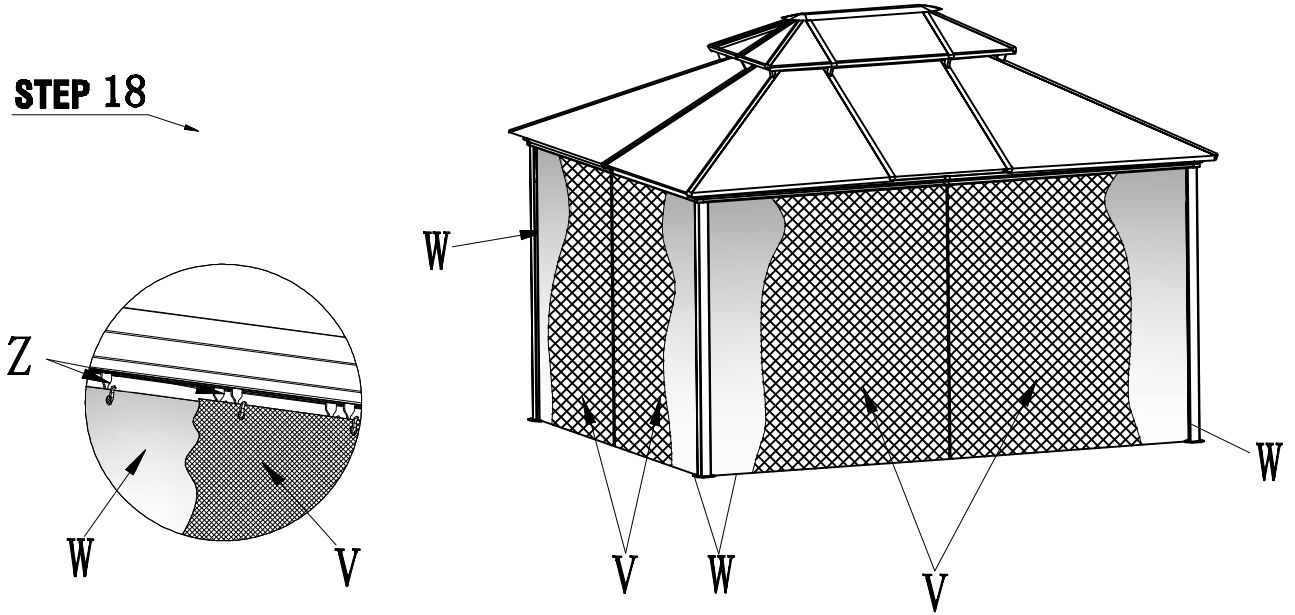
	M1 X2		N1 X2		M3 X2
	I X2		J X2		J1 X2

STEP 17



	M X2		N X2		M3 X2
	F X2		G X2		G1 X2
	G X2		X X4		Y X4
			(2) X8		

STEP 18



STEP 19

